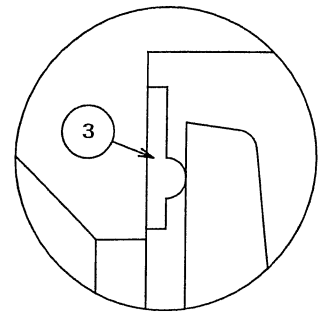
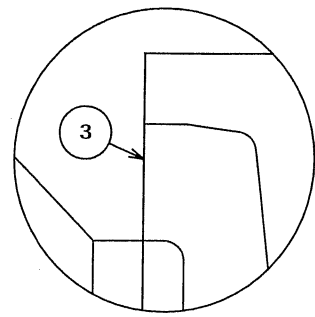


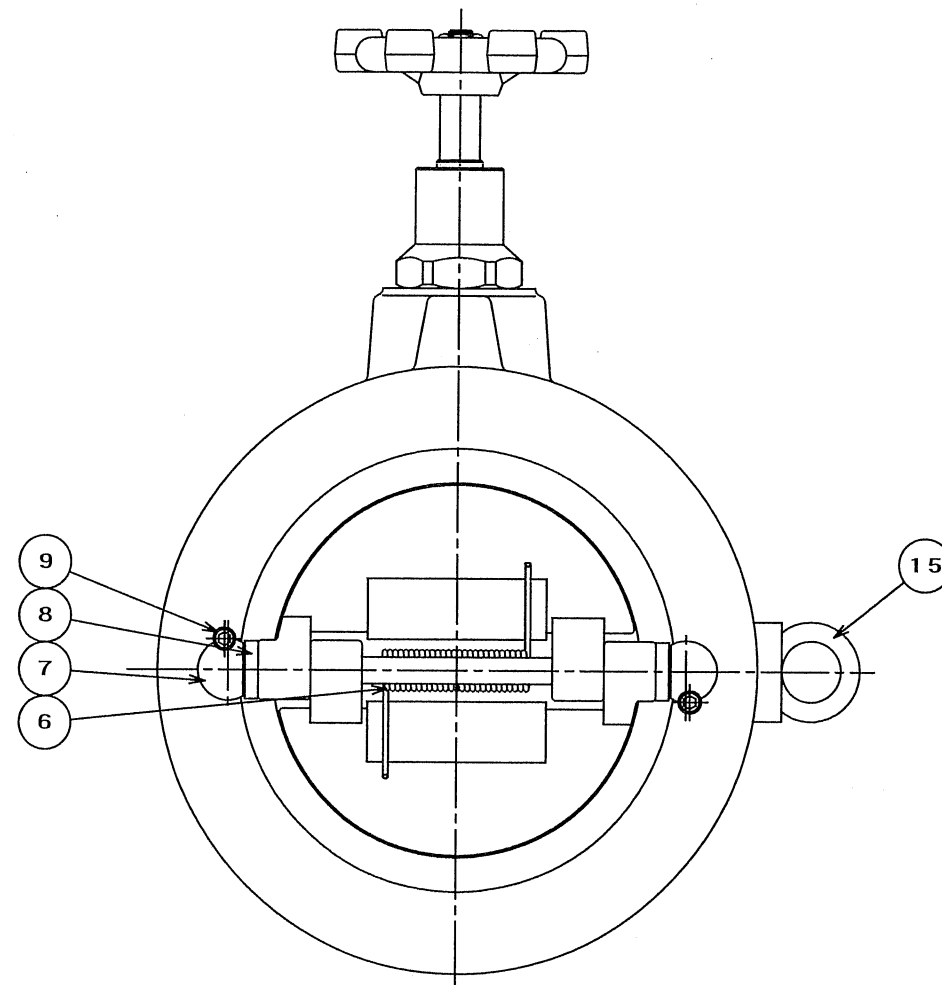
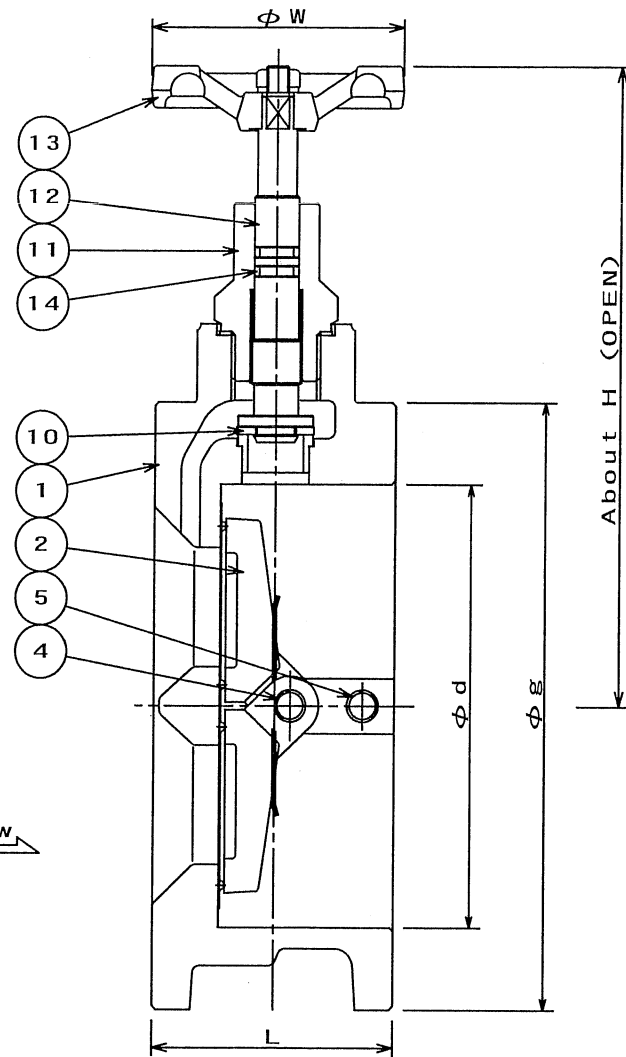
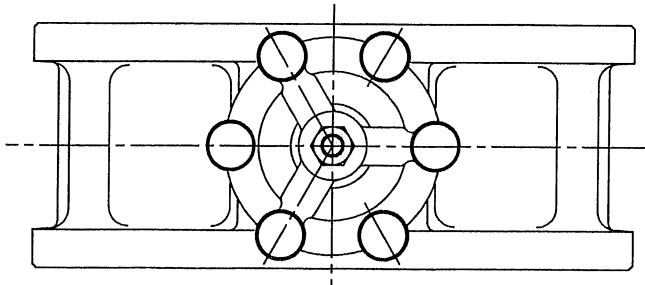
No.	PARTS NAME	MATERIAL	Q'ty	REMARK
		STANDARD		
1	BODY	FCD450	1	
2	DISC	SCS13A	2	
3	SEAT RING	See Table 1	1	
4	HINGE PIN	SUS304	1	
5	STOP PIN	SUS304	1	
6	SPRING	SUS304	1set	
7	GUIDE	SUS304	2	
8	WASHER	SUS304	1set	
9	SET SCREW	SUS304	1set	
10	BY PASS SEATRING	PTFE	1	
11	BONNET	C36000	1	
12	STEM	C36000	1	
13	HANDLE	FC200	1	
14	O-RING	FKM	2	
15	EYE BOLT	SS400+PLATED	1	250A, 300A



SEAT DETAIL
EPDM



SEAT DETAIL
METAL



Check	SIZE	JIS16K/20K					
		d	L	g	H	W	MASS (About)
	50A	60	54	104	138	67	2.5Kg
	65A	75	60	124	147	67	3.5Kg
	80A	95	67	134	157	67	4.3Kg
	100A	116	67	165	168	67	5.4Kg
	125A	145	83	203	184	67	8.9Kg
	150A	168	95	238	197	67	10.4Kg
	200A	219	127	283	226	67	25.0Kg
	250A	273	140	356	254	67	42.5Kg
	300A	322	181	406	283	67	63.0Kg

Check	SEAT RING	WORKING TEMP.	LEAKAGE
	EPDM	Max. 120°C	Water: 0cc Air: 0cc
	METAL	Max. 150°C	Water: 6cc/min X SIZE(A) Air: 1800cc/min X SIZE(A)

日付 DATE	APR. 14, 2009	尺度 SCALE	FREE	製造番号 MFG. No.	
最高使用圧力 MAX. WORKING PRESS.	2.0 MPa P _e	使用温度 WORKING TEMP.	See Table 1	形式 TYPE	MODEL 120Z
耐圧試験 SHELL TEST	WATER 3.0 MPa P _e	試験流体 TEST FLUID	-	名称 NAME	WAFFER CHECK VALVE
弁座試験 SEAT TEST	WATER 2.2→0.05 MPa P _e	許容漏れ LEAKAGE	See Table 1	株式会社オーケーエム OKUMURA ENGINEERING corp.	
作成 DRAWN	検討 CHECKED	承認 APPROVED	図面番号 DRAWING No. 120Z NN 0002 E		
			HD-LAN975 SYONINST		