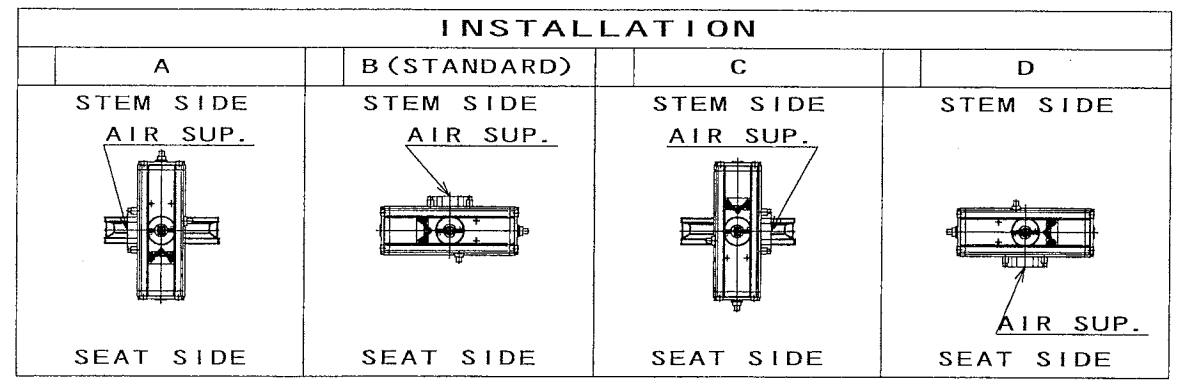


No.	PARTS NAME	Check	MATERIAL	Check	MATERIAL	Check	MATERIAL	Q'ty	REMARK
			STANDARD		SEMI STANDARD		SEMI STANDARD		
1	BODY		SCS13A		SCS14A		SCS16A	1	
2	DISC		SCS13A (PLATED)		SCS14A (PLATED)		SCS16A (PLATED)	1	
3	SET RING		SCS13A		SCS14A		SCS16A	1	
4	SEAT RING		SUS316 (PLATED)		SUS316 (PLATED)		SUS316L (PLATED)	1	
5	SEAT GASKET		NON-ASBESTOS		NON-ASBESTOS		NON-ASBESTOS	2	
6	STEM		SUS304		SUS316		SUS316L	1set	
7	GLAND		SCS14A		SCS14A		SCS14A	1	
8	BUSH		SUS316+PTFE		SUS316+PTFE		SUS316+PTFE	1set	
9	PACKING WASHER		SUS304		SUS316		SUS316L	1	
10	GLAND PACKING		PTFE		PTFE		PTFE	1set	
11	COVER		SCS13A		SCS14A		SCS16A	1	
12	GASKET		NON-ASBESTOS		NON-ASBESTOS		NON-ASBESTOS	1	
13	TAPER PIN		SUS304		SUS316		SUS316L	1set	
14	GLAND BOLT		SUS304		SUS316		SUS316	2	
15	SPRING WASHER		SUS304		SUS316		SUS316	2	
16	SET PIN		SUS420J2		SUS420J2		SUS420J2	2	
17	DRAW OUT SCREW		SUS304		SUS316		SUS316	2	
18	COVER BOLT		SCM435 (PLATED)		SCM435 (PLATED)		SCM435 (PLATED)	4	
19	SPRING WASHER		SUS304		SUS316		SUS316	4	
20	SPACER YOKE		SCS13A		SCS13A		SCS13A	2	
21	CYLINDER		-		-		-	1	
22	STUD BOLT, NUT		SUS304		SUS304		SUS304	4	
23	SPRING WASHER		SUS304		SUS304		SUS304	4	
24	SPACER		SS400 (PLATED)		SS400 (PLATED)		SS400 (PLATED)	1	

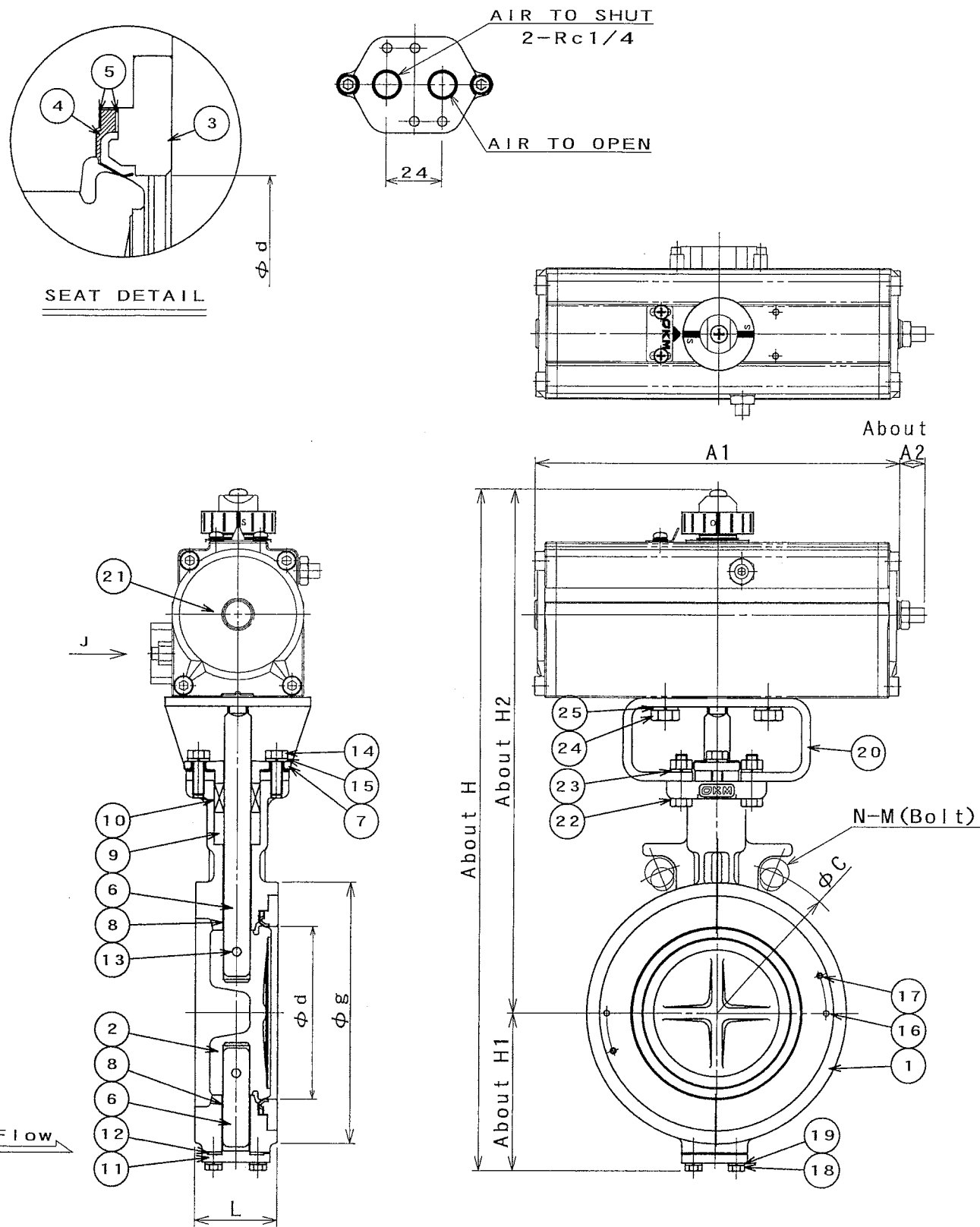


Check	SIZE	d	L	g	H	H1	H2	A1	A2	CYLINDER SIZE	Mass (About)
	80mm	70.0	46	127	356	84	272	166	13	TA3M-X050D	6.0Kg
	100mm	91.5	52	147	389	94	295	209	14	TA3M-X063D	7.7Kg

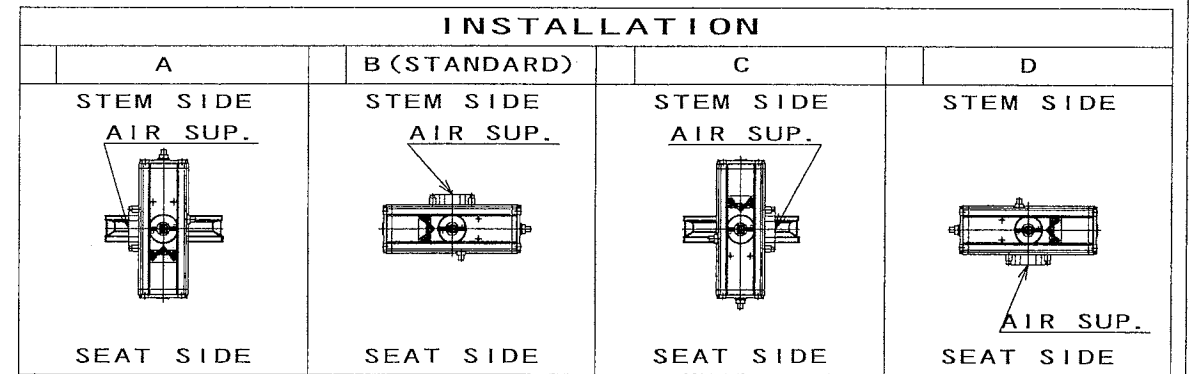
SIZE	JIS5K			JIS10K		
	C	N	M	C	N	M
80mm	145	4	M16	150	8	M16
100mm	165	8	M16	175	8	M16

日付 DATE	JUL. 15, 2010	尺度 SCALE	FREE	製造番号 MFG. No.	
最高使用压力 MAX. WORKING PRESS.	1.0 MPa P _e	使用温度 WORKING TEMP.	-29~232 °C	形式 TYPE	MODEL 541M (K)
耐压試験 SHELL TEST	1.5 MPa P _e	試験流体 TEST FLUID	WATER	名称 NAME	BUTTERFLY VALVES WITH PNEUMATIC CYLINDER
弁座試験 SEAT TEST	1.1 MPa P _e	許容漏れ MSS SP-61 LEAKAGE			
作成 DRAWN	検討 CHECKED	承認 APPROVED		株式会社 オーケーエム OKUMURA ENGINEERING corp.	
				図面番号 DRAWING No.	541M CA 0277 E
					Hd-Ian975 SYONINST

VIEW OF J



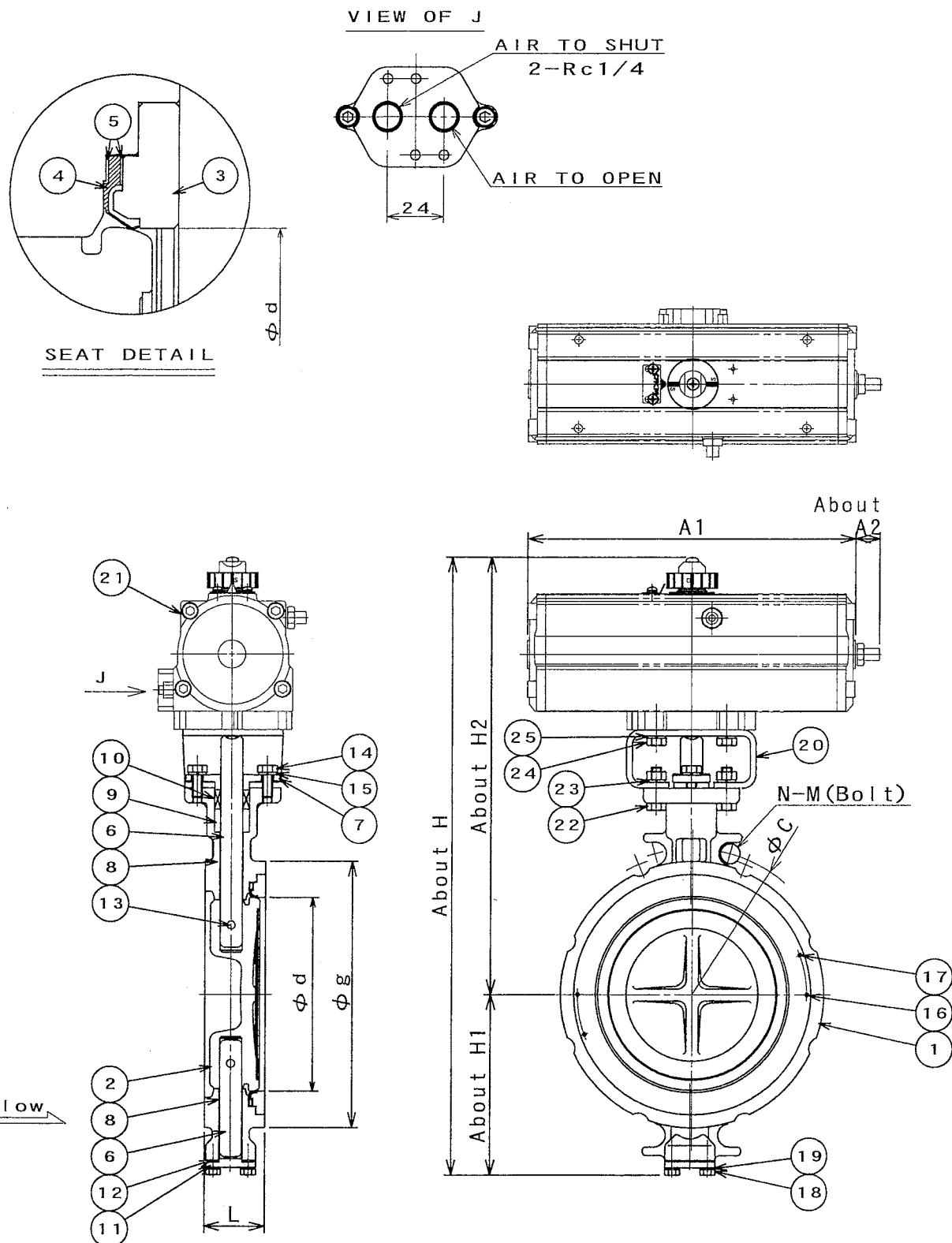
No.	PARTS NAME	Check	MATERIAL	Check	MATERIAL	Check	MATERIAL	Q'ty	REMARK
			STANDARD		SEMI STANDARD		SEMI STANDARD		
1	BODY		SCS13A		SCS14A		SCS16A	1	
2	DISC		SCS13A (PLATED)		SCS14A (PLATED)		SCS16A (PLATED)	1	
3	SET RING		SCS13A		SCS14A		SCS16A	1	
4	SEAT RING		SUS316 (PLATED)		SUS316 (PLATED)		SUS316L (PLATED)	1	
5	SEAT GASKET		NON-ASBESTOS		NON-ASBESTOS		NON-ASBESTOS	2	
6	STEM		SUS304		SUS316		SUS316L	1set	
7	GLAND		SCS14A		SCS14A		SCS14A	1	
8	BUSH		SUS316+PTFE		SUS316+PTFE		SUS316+PTFE	1set	
9	PACKING WASHER		SUS304		SUS316		SUS316L	1	
10	GLAND PACKING		PTFE		PTFE		PTFE	1set	
11	COVER		SCS13A		SCS14A		SCS16A	1	
12	GASKET		NON-ASBESTOS		NON-ASBESTOS		NON-ASBESTOS	1	
13	TAPER PIN		SUS304		SUS316		SUS316L	1set	
14	GLAND BOLT		SUS304		SUS316		SUS316	2	
15	SPRING WASHER		SUS304		SUS316		SUS316	2	
16	SET PIN		SUS420J2		SUS420J2		SUS420J2	2	
17	DRAW OUT SCREW		SUS304		SUS316		SUS316	2	
18	COVER BOLT		SCM435 (PLATED)		SCM435 (PLATED)		SCM435 (PLATED)	4	
19	SPRING WASHER		SUS304		SUS316		SUS316	4	
20	YOKE		SS400		SS400		SS400	1	
21	CYLINDER		-		-		-	1	
22	BOLT, NUT		SUS304		SUS304		SUS304	4	
23	SPRING WASHER		SUS304		SUS304		SUS304	4	
24	BOLT		SWRCH		SWRCH		SWRCH	4	
25	SPRING WASHER		SWRH		SWRH		SWRH	4	



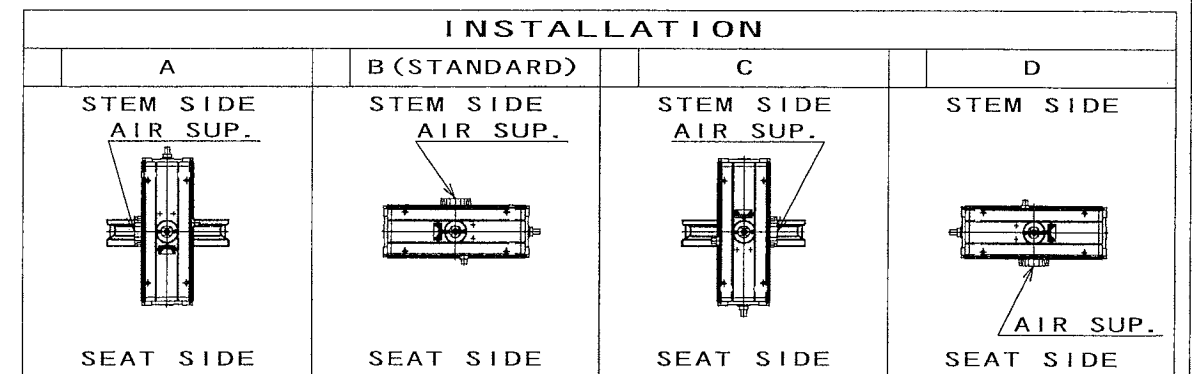
Check	SIZE	d	L	g	H	H1	H2	A1	A2	CYLINDER SIZE	Mass (About)
	125mm	119.0	56	180	470	110	360	253	18	TA3M-X080D	13.0Kg
	150mm	143.5	56	209	499	124	375	253	18	TA3M-X080D	14.3Kg

SIZE	JIS5K			JIS10K		
	C	N	M	C	N	M
125mm	200	8	M16	210	8	M20
150mm	230	8	M16	240	8	M20

日付 DATE	JUL. 15, 2010	尺度 SCALE	FREE	製造番号 MFG. No.	
最高使用圧力 MAX. WORKING PRESS.	1.0 MPa Pe	使用温度 WORKING TEMP.	-29~232 °C	形式 TYPE	MODEL 541M (K)
耐圧試験 SHELL TEST	1.5 MPa Pe	試験流体 TEST FLUID	WATER	名称 NAME	BUTTERFLY VALVES WITH PNEUMATIC CYLINDER
弁座試験 SEAT TEST	1.1 MPa Pe	許容漏れ LEAKAGE	MSS SP-61		
作成 DRAWN	検討 CHECKED	承認 APPROVED			株式会社 オーケーエム OKUMURA ENGINEERING corp.
	S.Y			図面番号 DRAWING No.	541M CA 0278 E
					Hd-lan975 SYONINST



No.	PARTS NAME	Check	MATERIAL	Check	MATERIAL	Check	MATERIAL	Q'ty	REMARK
			STANDARD		SEMI STANDARD		SEMI STANDARD		
1	BODY		SCS13A		SCS14A		SCS16A	1	
2	DISC		SCS13A (PLATED)		SCS14A (PLATED)		SCS16A (PLATED)	1	
3	SET RING		SCS13A		SCS14A		SCS16A	1	
4	SEAT RING		SUS316 (PLATED)		SUS316 (PLATED)		SUS316L (PLATED)	1	
5	SEAT GASKET		NON-ASBESTOS		NON-ASBESTOS		NON-ASBESTOS	2	
6	STEM		SUS304		SUS316		SUS316L	1set	
7	GLAND		SCS14A		SCS14A		SCS14A	1	
8	BUSH		SUS316+PTFE		SUS316+PTFE		SUS316+PTFE	1set	
9	PACKING WASHER		SUS304		SUS316		SUS316L	1	
10	GLAND PACKING		PTFE		PTFE		PTFE	1set	
11	COVER		SCS13A		SCS14A		SCS16A	1	
12	GASKET		NON-ASBESTOS		NON-ASBESTOS		NON-ASBESTOS	1	
13	TAPER PIN		SUS304		SUS316		SUS316L	1set	
14	GLAND BOLT		SUS304		SUS316		SUS316	2	
15	SPRING WASHER		SUS304		SUS316		SUS316	2	
16	SET PIN		SUS420J2		SUS420J2		SUS420J2	2	
17	DRAW OUT SCREW		SUS304		SUS316		SUS316	2	
18	COVER BOLT		SCM435 (PLATED)		SCM435 (PLATED)		SCM435 (PLATED)	4	
19	SPRING WASHER		SUS304		SUS316		SUS316	4	
20	YOKE		SS400		SS400		SS400	1	
21	CYLINDER		-		-		-	1	
22	BOLT, NUT		SUS304		SUS304		SUS304	4	
23	SPRING WASHER		SUS304		SUS304		SUS304	4	
24	BOLT		SWRCH		SWRCH		SWRCH	4	
25	SPRING WASHER		SWRH		SWRH		SWRH	4	



Check	SIZE	d	L	g	H	H1	H2	A1	A2	CYLINDER SIZE	Mass (About)
	200mm	192.5	60	265	617	183	434	330	25	TA3M-X100D	24.9Kg
	250mm	242.5	68	327	729	218	511	416	29	TA3M-X125D	34.0Kg
	300mm	291.5	78	367	774	243	531	416	29	TA3M-X125D	38.6Kg

SIZE	JIS5K			JIS10K		
	C	N	M	C	N	M
200mm	280	8	M20	290	12	M20
250mm	345	12	M20	355	12	M22
300mm	390	12	M20	400	16	M22

日付 DATE	JUL. 15, 2010	尺度 SCALE	FREE	製造番号 MFG. No.	
最高使用圧力 MAX. WORKING PRESS.	1.0 MPa Pe	使用温度 WORKING TEMP.	-29~232 °C	形式 TYPE	MODEL 541M (K)
耐圧試験 SHELL TEST	1.5 MPa Pe	試験流体 TEST FLUID	WATER	名称 NAME	BUTTERFLY VALVES WITH PNEUMATIC CYLINDER
弁座試験 SEAT TEST	1.1 MPa Pe	許容漏れ LEAKAGE	MSS SP-61		
作成 DRAWN	検討 CHECKED	承認 APPROVED		図面番号 DRAWING No.	541M CA 0279 E
					Hd-1an975 SYONINST

OKM 株式会社 オーケーエム
OKUMURA ENGINEERING corp.