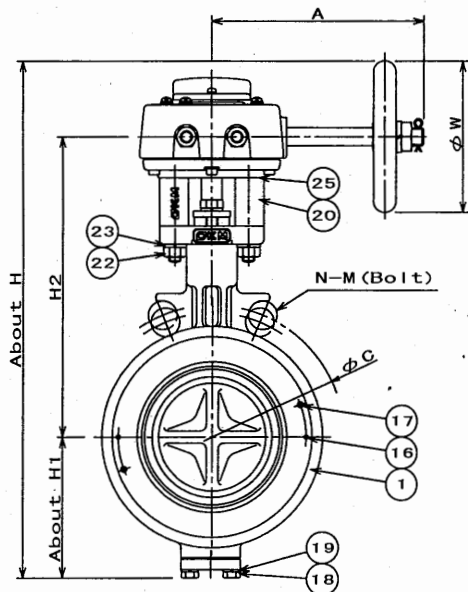
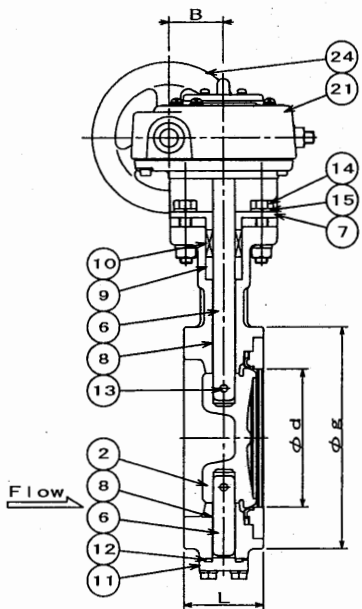
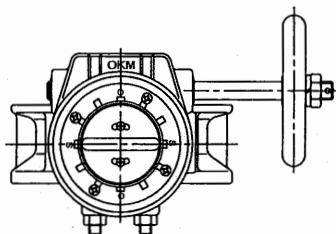


SEAT DETAIL

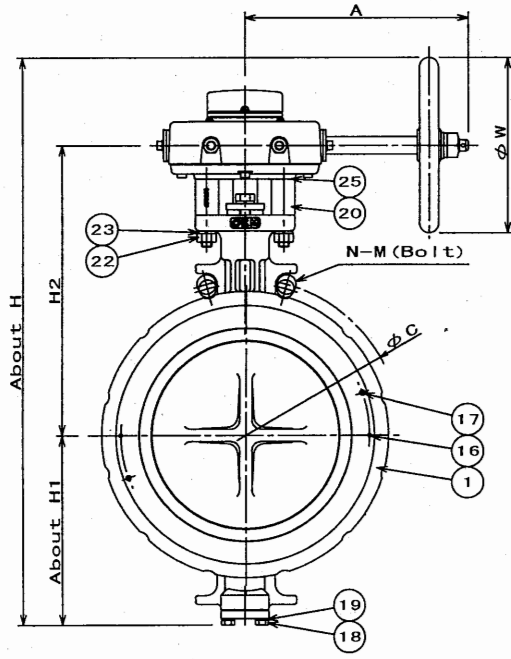
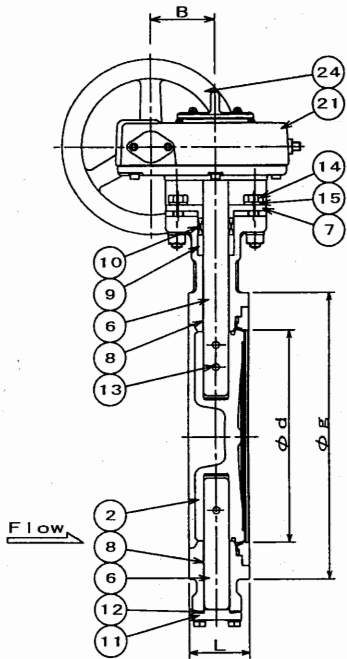
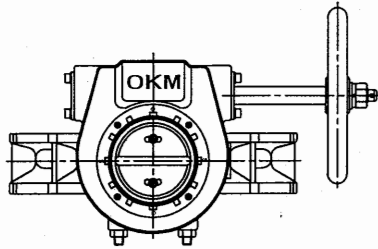
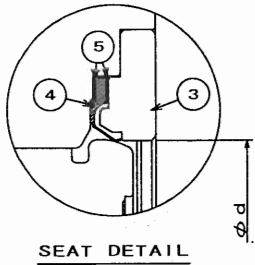


Check	SIZE	d	L	g	H	H1	H2	A	B	W	GEAR SIZE	WEIGHT (About)
	80mm	70.0	46	127	323	84	189	141	35	100	4K	6.4Kg
	100mm	91.5	52	147	343	94	199	141	35	100	4K	7.2Kg
	125mm	119.0	56	180	392.5	110	220	182	41	125	8K	11.3Kg
	150mm	143.5	56	209	421.5	124	235	182	41	125	8K	12.6Kg
	200mm	192.5	60	265	534	183	271	211	51	160	16K	20.6Kg

SIZE	JIS5K			JIS10K		
	C	N	M	C	N	M
80mm	145	4	M16	150	8	M16
100mm	165	8	M16	175	8	M16
125mm	200	8	M16	210	8	M20
150mm	230	8	M16	240	8	M20
200mm	280	8	M20	290	12	M20

No.	PARTS NAME	Check	MATERIAL	Check	MATERIAL	Check	MATERIAL	Qty	REMARK
			STANDARD		SEMI STANDARD		SEMI STANDARD		
1	BODY		SCS13A		SCS14A		SCS16A	1	
2	DISC		SCS13A (PLATED)		SCS14A (PLATED)		SCS16A (PLATED)	1	
3	SET RING		SCS13A		SCS14A		SCS16A	1	
4	SEAT RING		SUS316 (PLATED)		SUS316 (PLATED)		SUS316L (PLATED)	1	
5	SEAT GASKET		NON-ASBESTOS		NON-ASBESTOS		NON-ASBESTOS	2	
6	STEM		SUS304		SUS316		SUS316L	1set	
7	GLAND		SCS14A		SCS14A		SCS14A	1	
8	BUSH		SUS316+PTFE		SUS316+PTFE		SUS316+PTFE	1set	
9	PACKING WASHER		SUS304		SUS316		SUS316L	1	
10	GLAND PACKING		PTFE		PTFE		PTFE	1set	
11	COVER		SCS13A		SCS14A		SCS16A	1	
12	GASKET		NON-ASBESTOS		NON-ASBESTOS		NON-ASBESTOS	1	
13	TAPER PIN		SUS304		SUS316		SUS316L	1set	
14	GLAND BOLT		SUS304		SUS316		SUS316	2	
15	SPRING WASHER		SUS304		SUS316		SUS316	2	
16	SET PIN		SUS420J2		SUS420J2		SUS420J2	2	
17	DRAW OUT SCREW		SUS304		SUS316		SUS316	2	
18	COVER BOLT		SCM435 (PLATED)		SCM435 (PLATED)		SCM435 (PLATED)	4	
19	SPRING WASHER		SUS304		SUS316		SUS316	4	
20	SPACER YOKE		SCS13A		SCS13A		SCS13A	2	
21	GEAR BOX		FC250		FC250		FC250	1	
22	STUD BOLT, NUT		SUS304		SUS304		SUS304	4	
23	SPRING WASHER		SUS304		SUS304		SUS304	4	
24	HAND WHEEL		FC250		FC250		FC250	1	
25	SPACER		SUS304		SUS304		SUS304	1	

日付 DATE	Nov. 14. 2007	尺度 SCALE	FREE	製造番号 MFG. No.	
最高使用圧力 MAX WORKING PRESS.	1.0 MPa Pa	使用温度 WORKING TEMP.	-29~232 °C	形式 TYPE	MODEL 541M (K)
耐圧試験 SHELL TEST	1.5 MPa Pa	試験流体 TEST FLUID	WATER	名称 NAME	BUTTERFLY VALVES WITH WORM GEAR OPERATOR
弁座試験 SEAT TEST	1.1 MPa Pa	許容漏れ LEAKAGE	MSS SP-61		
作成 DRAWN	検討 CHECKED	承認 APPROVED			
図面番号 DRAWING No.	541M GB 0198 E			Hd-1an975 SYONINST	



No.	PARTS NAME	Check	MATERIAL	Check	MATERIAL	Check	MATERIAL	Q'ty	REMARK
			STANDARD		SEMI STANDARD		SEMI STANDARD		
1	BODY		SCS13A		SCS14A		SCS16A	1	
2	DISC		SCS13A (PLATED)		SCS14A (PLATED)		SCS16A (PLATED)	1	
3	SET RING		SCS13A		SCS14A		SCS16A	1	
4	SEAT RING		SUS316 (PLATED)		SUS316 (PLATED)		SUS316L (PLATED)	1	
5	SEAT GASKET		NON-ASBESTOS		NON-ASBESTOS		NON-ASBESTOS	2	
6	STEM		SUS304		SUS316		SUS316L	1set	
7	GLAND		SCS14A		SCS14A		SCS14A	1	
8	BUSH		SUS316+PTFE		SUS316+PTFE		SUS316+PTFE	1set	
9	PACKING WASHER		SUS304		SUS316		SUS316L	1	
10	GLAND PACKING		PTFE		PTFE		PTFE	1set	
11	COVER		SCS13A		SCS14A		SCS16A	1	
12	GASKET		NON-ASBESTOS		NON-ASBESTOS		NON-ASBESTOS	1	
13	TAPER PIN		SUS304		SUS316		SUS316L	1set	
14	GLAND BOLT		SUS304		SUS316		SUS316	2	
15	SPRING WASHER		SUS304		SUS316		SUS316	2	
16	SET PIN		SUS420J2		SUS420J2		SUS420J2	2	
17	DRAW OUT SCREW		SUS304		SUS316		SUS316	2	
18	COVER BOLT		SCM435 (PLATED)		SCM435 (PLATED)		SCM435 (PLATED)	4	
19	SPRING WASHER		SUS304		SUS316		SUS316	4	
20	SPACER YOKE		SCS13A		SCS13A		SCS13A	2	
21	GEAR BOX		FC250		FC250		FC250	1	
22	STUD BOLT, NUT		SUS304		SUS304		SUS304	4	
23	SPRING WASHER		SUS304		SUS304		SUS304	4	
24	HAND WHEEL		FC250		FC250		FC250	1	
25	SPACER		SUS304		SUS304		SUS304	1	

Check	SIZE	d	L	g	H	H1	H2	A	B	W	GEAR SIZE	WEIGHT (About)
	250mm	242.5	68	327	647.5	218	329.5	255	73.9	200	63K	31.6Kg
	300mm	291.5	78	367	692.5	243	349.5	255	73.9	200	63K	36.2Kg

SIZE	JIS5K			JIS10K		
	C	N	M	C	N	M
250mm	345	12	M20	355	12	M22
300mm	390	12	M20	400	16	M22

DATE Nov. 14, 2007	尺 度 SCALE	FREE	製造番号 MFG. No.	
最高使用圧力 MAX. WORKING PRESS.	1.0 MPa Pa	使用温度 WORKING TEMP.	-29~232 °C	形 式 TYPE
耐圧試験 SHELL TEST	1.5 MPa Pa	試験流体 TEST FLUID	WATER	名 称 NAME
弁座試験 SEAT TEST	1.1 MPa Pa	許容漏れ LEAKAGE	MSS SP-61	BUTTERFLY VALVES WITH WORM GEAR OPERATOR
作 成 DRAWN	検 討 CHECKED	承 認 APPROVED	株式会社 オークエム OKUMURA ENGINEERING corp.	
K O I	7.1	[Signature]	図 面 番 号 DRAWING No.	541M GB 0199 E
				HD-LAN975 SYONINST