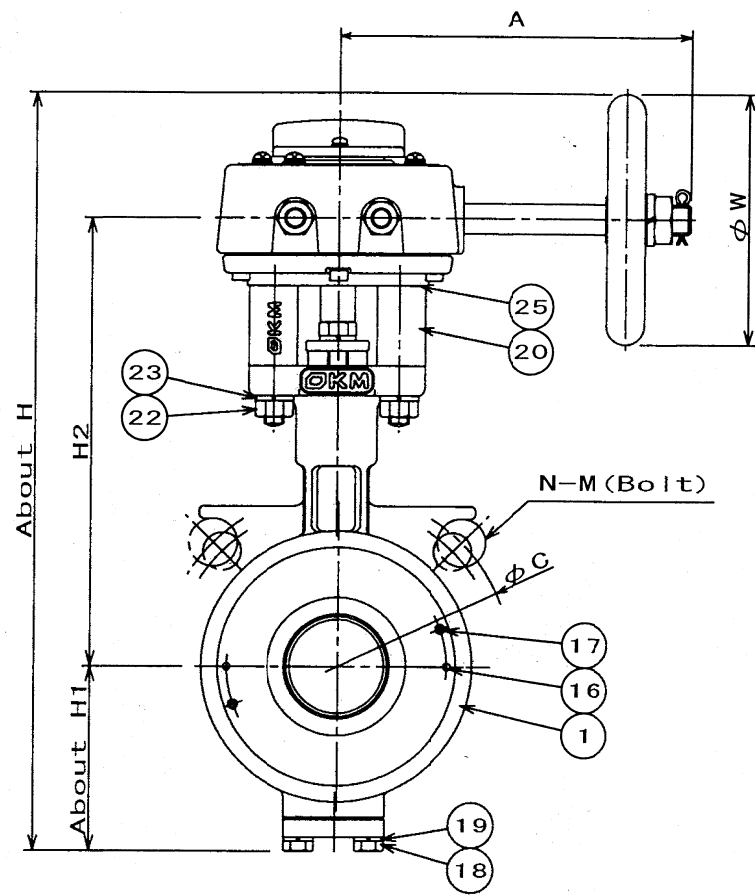
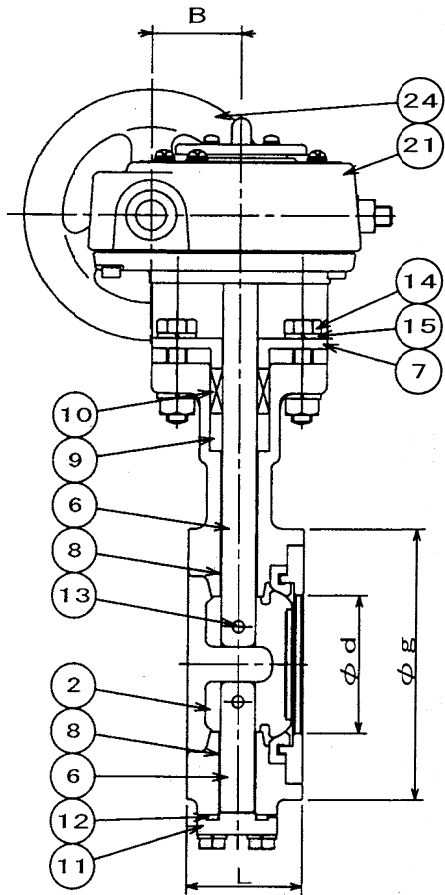
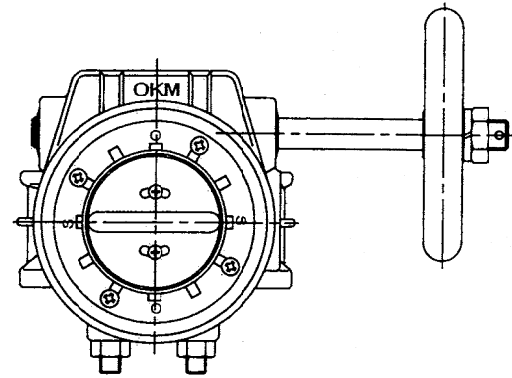


SEAT DETAIL



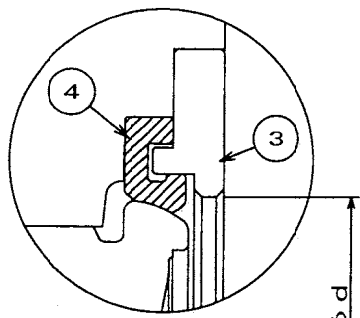
No.	PARTS NAME	Check	MATERIAL	Check	MATERIAL	Check	MATERIAL	Q'ty	REMARK
			STANDARD		SEMI STANDARD		SEMI STANDARD		
1	BODY		SCS13A		SCS14A		SCS16A	1	
2	DISC		SCS13A		SCS14A		SCS16A	1	
3	SET RING		SCS13A		SCS14A		SCS16A	1	
4	SEAT RING		PTFE (WHITE)		PTFE (WHITE)		PTFE (WHITE)	1	*1
			PTFE (BLACK)		PTFE (BLACK)		PTFE (BLACK)		
5	-		-		-		-	-	
6	STEM		SUS304		SUS316		SUS316L	1set	
7	GLAND		SCS14A		SCS14A		SCS14A	1	
8	BUSH		SUS316+PTFE		SUS316+PTFE		SUS316+PTFE	1set	
9	PACKING WASHER		SUS304		SUS316		SUS316L	1	
10	GLAND PACKING		PTFE		PTFE		PTFE	1set	
11	COVER		SCS13A		SCS14A		SCS16A	1	
12	GASKET		NON-ASBESTOS		NON-ASBESTOS		NON-ASBESTOS	1	
13	TAPER PIN		SUS304		SUS316		SUS316L	1set	
14	GLAND BOLT		SUS304		SUS316		SUS316	2	
15	SPRING WASHER		SUS304		SUS316		SUS316	2	
16	SET PIN		SUS420J2		SUS420J2		SUS420J2	2	
17	DRAW OUT SCREW		SUS304		SUS316		SUS316	2	
18	COVER BOLT		SCM435 (PLATED)		SCM435 (PLATED)		SCM435 (PLATED)	4	
19	SPRING WASHER		SUS304		SUS316		SUS316	4	
20	SPACER YOKE		SCS13A		SCS13A		SCS13A	2	
21	GEAR BOX		FC250		FC250		FC250	1	
22	STUD BOLT, NUT		SUS304		SUS304		SUS304	4	
23	SPRING WASHER		SUS304		SUS304		SUS304	4	
24	HAND WHEEL		FC250		FC250		FC250	1	
25	SPACER		SUS304		SUS304		SUS304	1	

Check	SIZE	d	L	g	H	H1	H2	A	B	W	GEAR SIZE	WEIGHT (About)
	50mm	40	43	92	283	64	169	141	35	100	4K	5.3Kg
	65mm	55	46	108	303	74	179	141	35	100	4K	5.8Kg

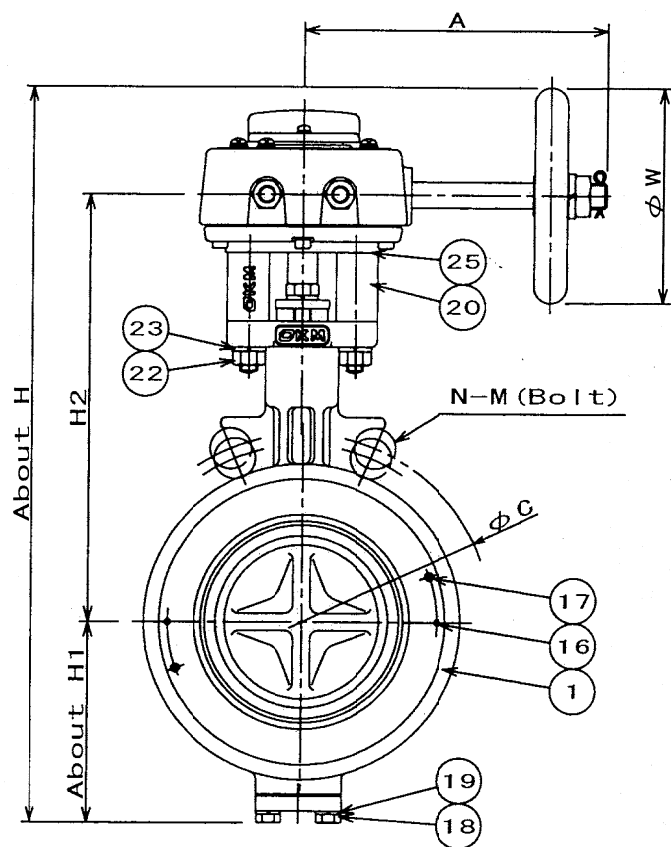
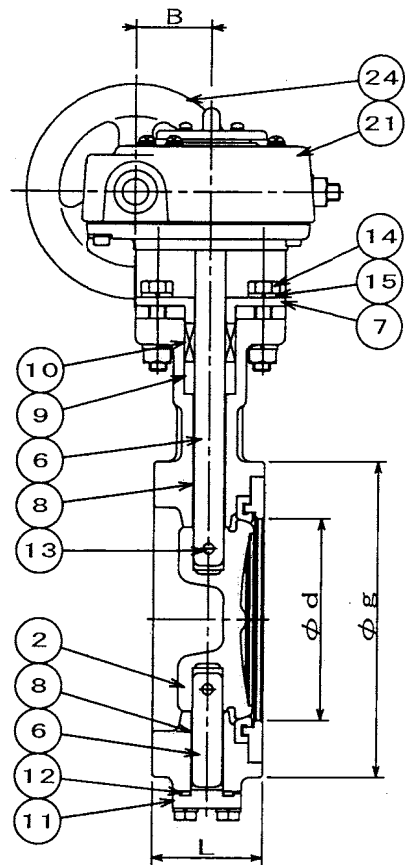
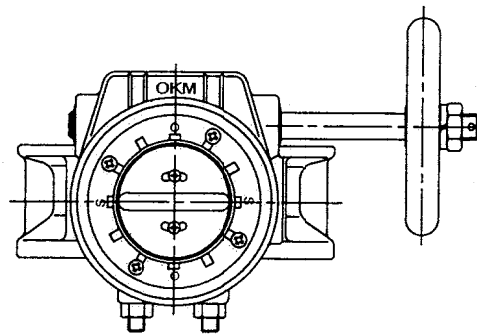
SIZE	JIS5K			JIS10K		
	C	N	M	C	N	M
50mm	105	4	M12	120	4	M16
65mm	130	4	M12	140	4	M16

NOTE \*1) IN CASE OF STEAM PTFE (WHITE) : WORKING TEMP. Max. 150°C

日付 DATE	Oct. 22. 2007	尺度 SCALE	FREE	製造番号 MFG. No.	
最高使用圧力 MAX. WORKING PRESS.	1.0 MPa Pe	使用温度 *1 WORKING TEMP.	-29~232 °C	形式 TYPE	MODEL 541T (K)
耐圧試験 SHELL TEST	1.5 MPa Pe	試験流体 TEST FLUID	WATER	名称 NAME	BUTTERFLY VALVES WITH WORM GEAR OPERATOR
弁座試験 SEAT TEST	1.1 MPa Pe	許容漏れ LEAKAGE	0		
作成 DRAWN	検討 CHECKED	承認 APPROVED		株式会社 オーケーエム OKUMURA ENGINEERING corp.	
				図面番号 DRAWING No.	541T GB 0622 E
					Hd-Ian975 SYONINST



SEAT DETAIL




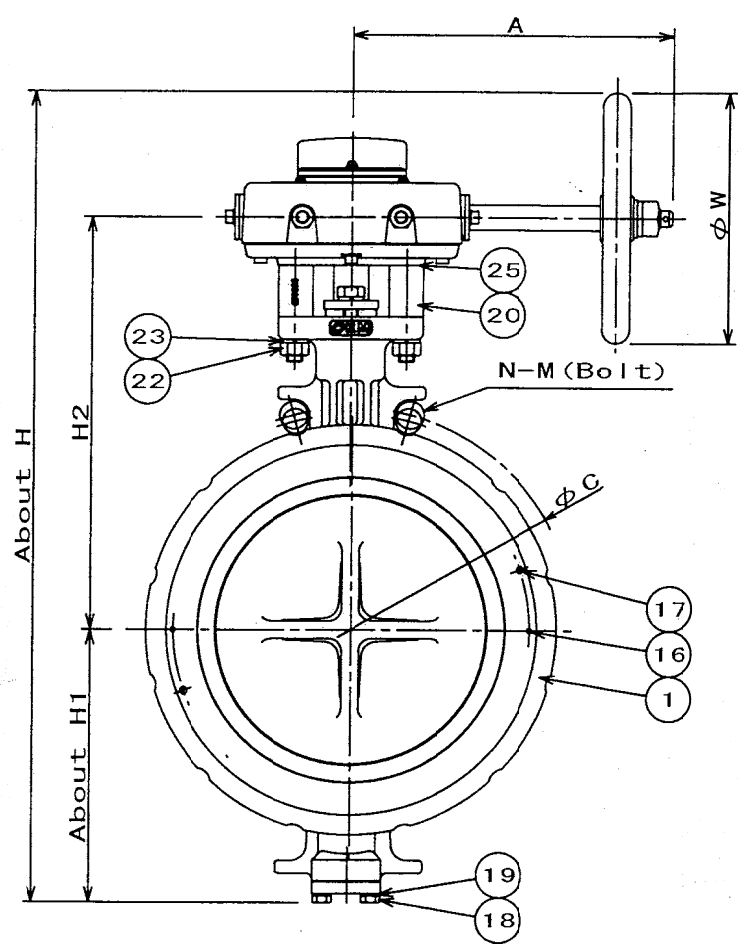
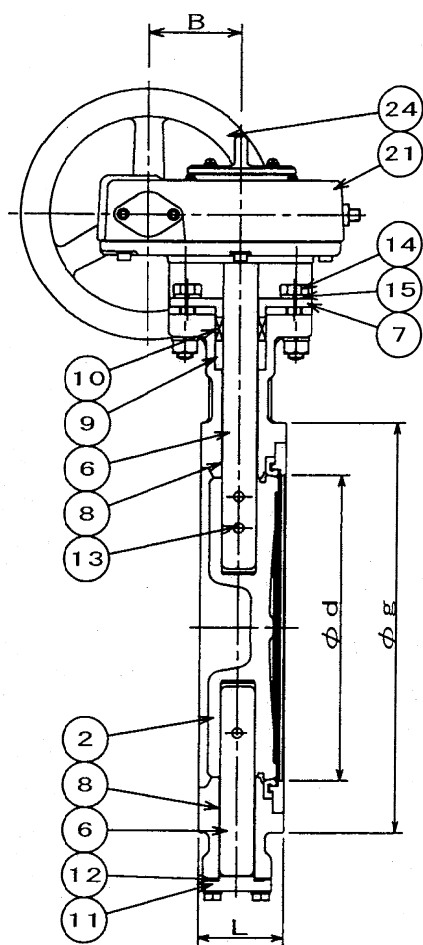
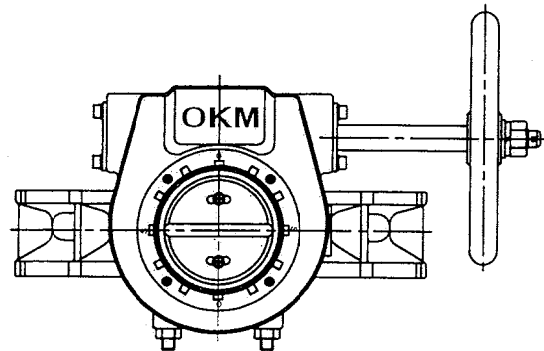
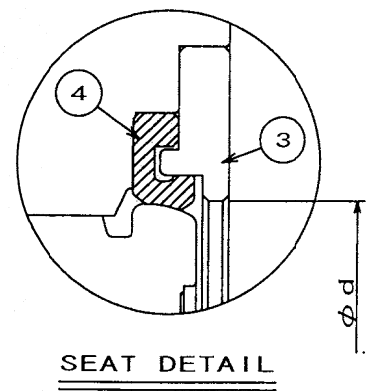
Check	SIZE	d	L	g	H	H1	H2	A	B	W	GEAR SIZE	WEIGHT (About)
	80mm	70	46	127	323	84	189	141	35	100	4K	6.4Kg
	100mm	94	52	147	343	94	199	141	35	100	4K	7.2Kg
	125mm	119	56	180	392.5	110	220	182	41	125	8K	11.3Kg
	150mm	144	56	209	421.5	124	235	182	41	125	8K	12.6Kg
	200mm	195	60	265	534	183	271	211	51	160	16K	20.6Kg

SIZE	JIS5K			JIS10K		
	C	N	M	C	N	M
80mm	145	4	M16	150	8	M16
100mm	165	8	M16	175	8	M16
125mm	200	8	M16	210	8	M20
150mm	230	8	M16	240	8	M20
200mm	280	8	M20	290	12	M20

No.	PARTS NAME	Check	MATERIAL	Check	MATERIAL	Check	MATERIAL	Q'ty	REMARK
			STANDARD		SEMI STANDARD		SEMI STANDARD		
1	BODY		SCS13A		SCS14A		SCS16A	1	
2	DISC		SCS13A		SCS14A		SCS16A	1	
3	SET RING		SCS13A		SCS14A		SCS16A	1	
4	SEAT RING		PTFE (WHITE)		PTFE (WHITE)		PTFE (WHITE)	1	*1
			PTFE (BLACK)		PTFE (BLACK)		PTFE (BLACK)		
5	-		-		-		-	-	
6	STEM		SUS304		SUS316		SUS316L	1set	
7	GLAND		SCS14A		SCS14A		SCS14A	1	
8	BUSH		SUS316+PTFE		SUS316+PTFE		SUS316+PTFE	1set	
9	PACKING WASHER		SUS304		SUS316		SUS316L	1	
10	GLAND PACKING		PTFE		PTFE		PTFE	1set	
11	COVER		SCS13A		SCS14A		SCS16A	1	
12	GASKET		NON-ASBESTOS		NON-ASBESTOS		NON-ASBESTOS	1	
13	TAPER PIN		SUS304		SUS316		SUS316L	1set	
14	GLAND BOLT		SUS304		SUS316		SUS316	2	
15	SPRING WASHER		SUS304		SUS316		SUS316	2	
16	SET PIN		SUS420J2		SUS420J2		SUS420J2	2	
17	DRAW OUT SCREW		SUS304		SUS316		SUS316	2	
18	COVER BOLT		SCM435 (PLATED)		SCM435 (PLATED)		SCM435 (PLATED)	4	
19	SPRING WASHER		SUS304		SUS316		SUS316	4	
20	SPACER YOKE		SCS13A		SCS13A		SCS13A	2	
21	GEAR BOX		FC250		FC250		FC250	1	
22	STUD BOLT, NUT		SUS304		SUS304		SUS304	4	
23	SPRING WASHER		SUS304		SUS304		SUS304	4	
24	HAND WHEEL		FC250		FC250		FC250	1	
25	SPACER		SUS304		SUS304		SUS304	1	

NOTE \*1) IN CASE OF STEAM PTFE (WHITE) : WORKING TEMP. Max. 150°C

日付 DATE	Oct. 22, 2007	尺度 SCALE	FREE	製造番号 MFG. No.	
最高使用圧力 MAX. WORKING PRESS.	1.0 MPa Pe	使用温度 *1 WORKING TEMP.	-29~232 °C	形式 TYPE	MODEL 541T (K)
耐圧試験 SHELL TEST	1.5 MPa Pe	試験流体 TEST FLUID	WATER	名称 NAME	BUTTERFLY VALVES WITH WORM GEAR OPERATOR
弁座試験 SEAT TEST	1.1 MPa Pe	許容漏れ LEAKAGE	0		
作成 DRAWN	検討 CHECKED	承認 APPROVED		 株式会社 オークエム OKUMURA ENGINEERING corp.	
図面番号 DRAWING No.	541T GB 0623 E			Hd-Ian975 SYONINST	



No.	PARTS NAME	Check	MATERIAL	Check	MATERIAL	Check	MATERIAL	Q'ty	REMARK
			STANDARD		SEMI STANDARD		SEMI STANDARD		
1	BODY		SCS13A		SCS14A		SCS16A	1	
2	DISC		SCS13A		SCS14A		SCS16A	1	
3	SET RING		SCS13A		SCS14A		SCS16A	1	
4	SEAT RING		PTFE (WHITE) PTFE (BLACK)		PTFE (WHITE) PTFE (BLACK)		PTFE (WHITE) PTFE (BLACK)	1	*1
5	-		-		-		-	-	
6	STEM		SUS304		SUS316		SUS316L	1set	
7	GLAND		SCS14A		SCS14A		SCS14A	1	
8	BUSH		SUS316+PTFE		SUS316+PTFE		SUS316+PTFE	1set	
9	PACKING WASHER		SUS304		SUS316		SUS316L	1	
10	GLAND PACKING		PTFE		PTFE		PTFE	1set	
11	COVER		SCS13A		SCS14A		SCS16A	1	
12	GASKET		NON-ASBESTOS		NON-ASBESTOS		NON-ASBESTOS	1	
13	TAPER PIN		SUS304		SUS316		SUS316L	1set	
14	GLAND BOLT		SUS304		SUS316		SUS316	2	
15	SPRING WASHER		SUS304		SUS316		SUS316	2	
16	SET PIN		SUS420J2		SUS420J2		SUS420J2	2	
17	DRAW OUT SCREW		SUS304		SUS316		SUS316	2	
18	COVER BOLT		SCM435 (PLATED)		SCM435 (PLATED)		SCM435 (PLATED)	4	
19	SPRING WASHER		SUS304		SUS316		SUS316	4	
20	SPACER YOKE		SCS13A		SCS13A		SCS13A	2	
21	GEAR BOX		FC250		FC250		FC250	1	
22	STUD BOLT, NUT		SUS304		SUS304		SUS304	4	
23	SPRING WASHER		SUS304		SUS304		SUS304	4	
24	HAND WHEEL		FC250		FC250		FC250	1	
25	SPACER		SUS304		SUS304		SUS304	1	

Check	SIZE	d	L	g	H	H1	H2	A	B	W	GEAR SIZE	WEIGHT (About)
	250mm	244	68	327	647.5	218	329.5	255	73.9	200	63K	31.6Kg
	300mm	293	78	367	692.5	243	349.5	255	73.9	200	63K	36.2Kg

SIZE	JIS5K			JIS10K		
	C	N	M	C	N	M
250mm	345	12	M20	355	12	M22
300mm	390	12	M20	400	16	M22

NOTE \*1) IN CASE OF STEAM PTFE (WHITE) :WORKING TEMP. Max. 150°C

日付 DATE	Oct. 22. 2007	尺度 SCALE	FREE	製造番号 MFG. No.	
最高使用圧力 MAX. WORKING PRESS.	1.0 MPa P <sub>e</sub>	使用温度 *1 WORKING TEMP. -29~232 °C		形式 TYPE	MODEL 541T (K)
耐圧試験 SHELL TEST	1.5 MPa P <sub>e</sub>	試験流体 TEST FLUID WATER		名称 NAME	BUTTERFLY VALVES WITH WORM GEAR OPERATOR
弁座試験 SEAT TEST	1.1 MPa P <sub>e</sub>	許容漏れ LEAKAGE	0		
作成 DRAWN	検討 CHECKED	承認 APPROVED		株式会社 オークエム OKUMURA ENGINEERING corp.	
図面番号 DRAWING No.	541T GB 0624 E			Hd-1an975 SYONINST	