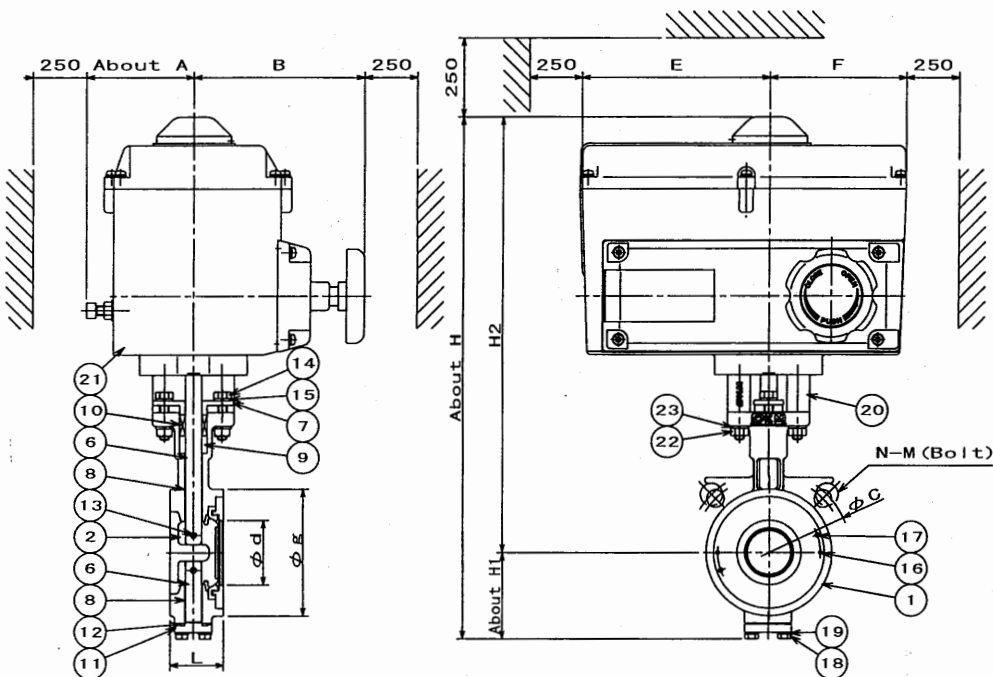
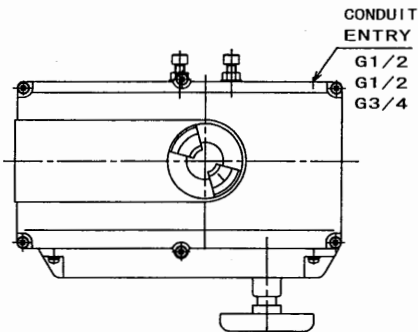
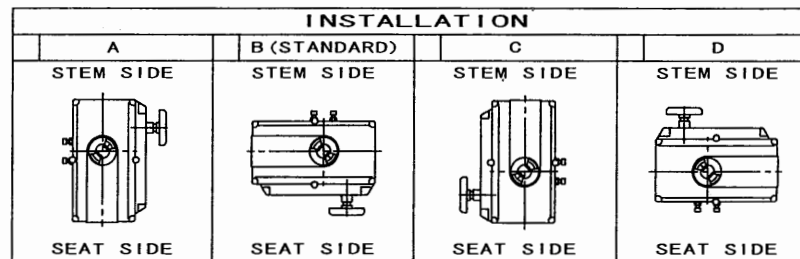


SEAT DETAIL



No.	PARTS NAME	Check	MATERIAL	Check	MATERIAL	Check	MATERIAL	Q'ty	REMARK
			STANDARD		SEMI STANDARD		SEMI STANDARD		
1	BODY		SCS13A		SCS14A		SCS16A	1	
2	DISC		SCS13A		SCS14A		SCS16A	1	
3	SET RING		SCS13A		SCS14A		SCS16A	1	
4	SEAT RING		PTFE (WHITE) PTFE (BLACK)		PTFE (WHITE) PTFE (BLACK)		PTFE (WHITE) PTFE (BLACK)	1	*1
5	-		-		-		-	-	
6	STEM		SUS304		SUS316		SUS316L	1set	
7	GLAND		SCS14A		SCS14A		SCS14A	1	
8	BUSH		SUS316+PTFE		SUS316+PTFE		SUS316+PTFE	1set	
9	PACKING WASHER		SUS304		SUS316		SUS316L	1	
10	GLAND PACKING		PTFE		PTFE		PTFE	1set	
11	COVER		SCS13A		SCS14A		SCS16A	1	
12	GASKET		NON-ASBESTOS		NON-ASBESTOS		NON-ASBESTOS	1	
13	TAPER PIN		SUS304		SUS316		SUS316L	1set	
14	GLAND BOLT		SUS304		SUS316		SUS316	2	
15	SPRING WASHER		SUS304		SUS316		SUS316	2	
16	SET PIN		SUS420J2		SUS420J2		SUS420J2	2	
17	DRAW OUT SCREW		SUS304		SUS316		SUS316	2	
18	COVER BOLT		SCM435 (PLATED)		SCM435 (PLATED)		SCM435 (PLATED)	4	
19	SPRING WASHER		SUS304		SUS316		SUS316	4	
20	SPACER YOKE		SCS13A		SCS13A		SCS13A	2	
21	ACTUATOR		-		-		-	1	
22	STUD BOLT, NUT		SUS304		SUS304		SUS304	4	
23	SPRING WASHER		SUS304		SUS304		SUS304	4	

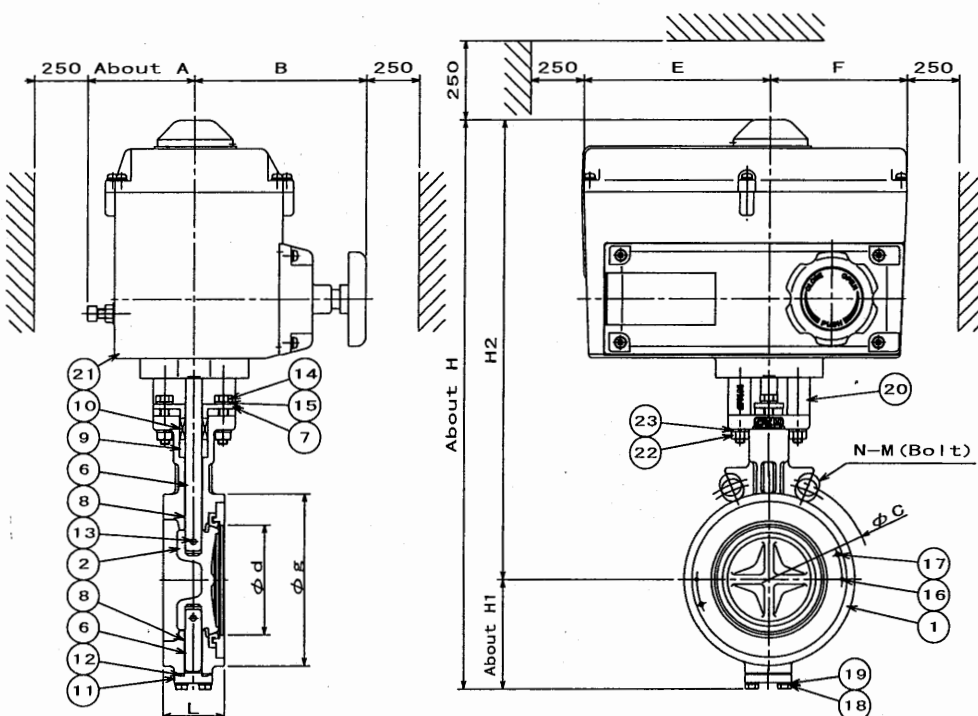
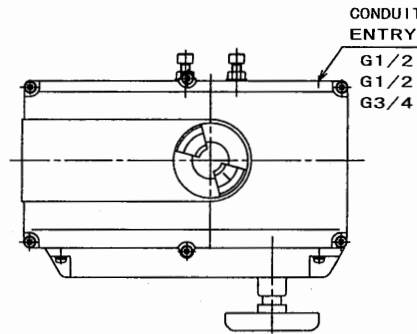
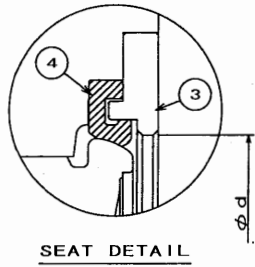


NOTE \*1) IN CASE OF STEAM PTFE (WHITE) : WORKING TEMP. Max. 150°C

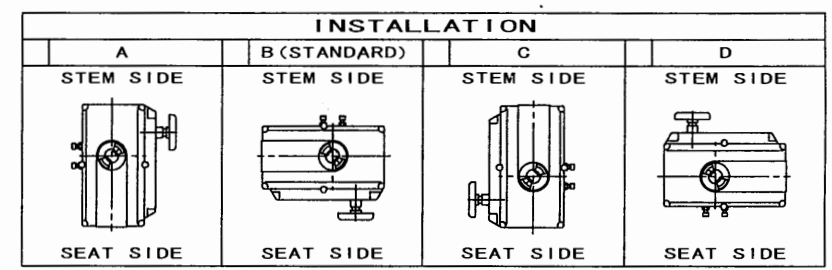
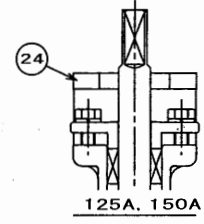
Check	SIZE	d	L	g	H	H1	H2	A	B	E	F	ACTUATOR SIZE	WEIGHT (About)
	50mm	40	43	94	426	64	362	91	145	160	117	CRV-10A	14.0Kg
	65mm	55	46	108	446	74	372	91	145	160	117	CRV-10A	14.5Kg

SIZE	JIS5K			JIS10K		
	C	N	M	C	N	M
50mm	105	4	M12	120	4	M16
65mm	130	4	M12	140	4	M16

日付 DATE	Oct. 22. 2007	尺度 SCALE	FREE	製造番号 MFG. No.	
最高使用圧力 MAX. WORKING PRESS.	1.0 MPa Pe	使用温度 *1 WORKING TEMP.	-29~232 °C	形式 TYPE	MODEL 541T (K)
耐圧試験 SHELL TEST	1.5 MPa Pe	試験流体 TEST FLUID	WATER	名称 NAME	BUTTERFLY VALVES WITH ELECTRIC ACTUATOR
弁座試験 SEAT TEST	1.1 MPa Pe	許容漏れ LEAKAGE	0		
作成 DRAWN	検討 CHECKED	承認 APPROVED		株式会社オーケーエム OKUMURA ENGINEERING corp.	
				図面番号 DRAWING No.	541T MC 0636 E
					Hd-1an975 SYONINST



No.	PARTS NAME	Check	MATERIAL	Check	MATERIAL	Check	MATERIAL	Q'ty	REMARK
			STANDARD		SEMI STANDARD		SEMI STANDARD		
1	BODY		SCS13A		SCS14A		SCS16A	1	
2	DISC		SCS13A		SCS14A		SCS16A	1	
3	SET RING		SCS13A		SCS14A		SCS16A	1	
4	SEAT RING		PTFE (WHITE) PTFE (BLACK)		PTFE (WHITE) PTFE (BLACK)		PTFE (WHITE) PTFE (BLACK)	1	*1
5	-		-		-		-	-	
6	STEM		SUS304		SUS316		SUS316L	1set	
7	GLAND		SCS14A		SCS14A		SCS14A	1	
8	BUSH		SUS316+PTFE		SUS316+PTFE		SUS316+PTFE	1set	
9	PACKING WASHER		SUS304		SUS316		SUS316L	1	
10	GLAND PACKING		PTFE		PTFE		PTFE	1set	
11	COVER		SCS13A		SCS14A		SCS16A	1	
12	GASKET		NON-ASBESTOS		NON-ASBESTOS		NON-ASBESTOS	1	
13	TAPER PIN		SUS304		SUS316		SUS316L	1set	
14	GLAND BOLT		SUS304		SUS316		SUS316	2	
15	SPRING WASHER		SUS304		SUS316		SUS316	2	
16	SET PIN		SUS420J2		SUS420J2		SUS420J2	2	
17	DRAW OUT SCREW		SUS304		SUS316		SUS316	2	
18	COVER BOLT		SCM435 (PLATED)		SCM435 (PLATED)		SCM435 (PLATED)	4	
19	SPRING WASHER		SUS304		SUS316		SUS316	4	
20	SPACER YOKE		SCS13A		SCS13A		SCS13A	2	
21	ACTUATOR		-		-		-	1	
22	STUD BOLT, NUT		SUS304		SUS304		SUS304	4	
23	SPRING WASHER		SUS304		SUS304		SUS304	4	
24	SPACER		SS400 (PLATED)		SS400 (PLATED)		SS400 (PLATED)	1	125A, 150A Only

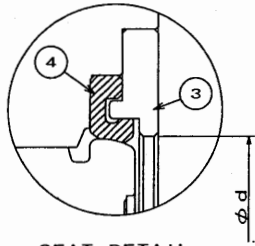


Check	SIZE	d	L	g	H	H1	H2	A	B	E	F	ACTUATOR SIZE	WEIGHT (About)
	80mm	70	46	127	466	84	382	91	145	160	117	CRV-10A	15.1Kg
	100mm	94	52	147	486	94	392	91	145	160	117	CRV-10A	15.9Kg
	125mm	119	56	180	531	110	421	91	145	160	117	CRV-20A	19.2Kg
	150mm	144	56	209	560	124	436	91	145	160	117	CRV-20A	20.5Kg

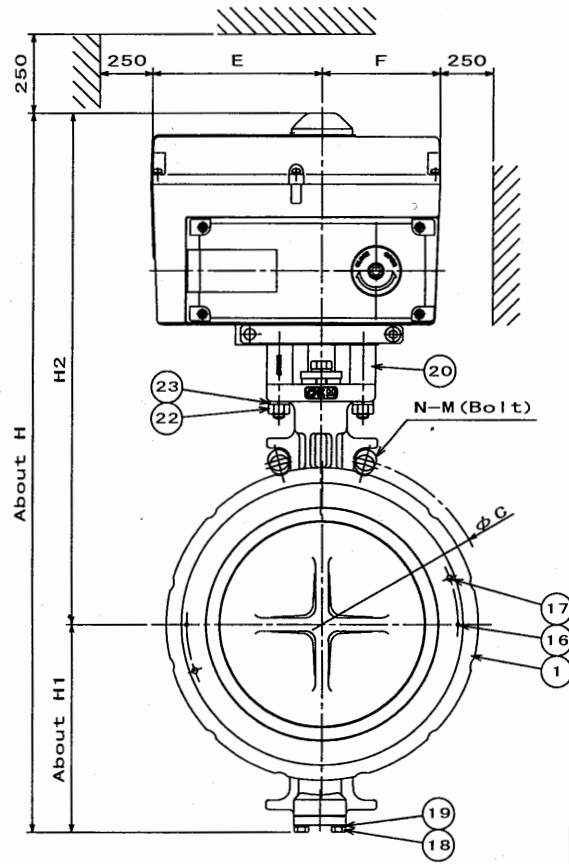
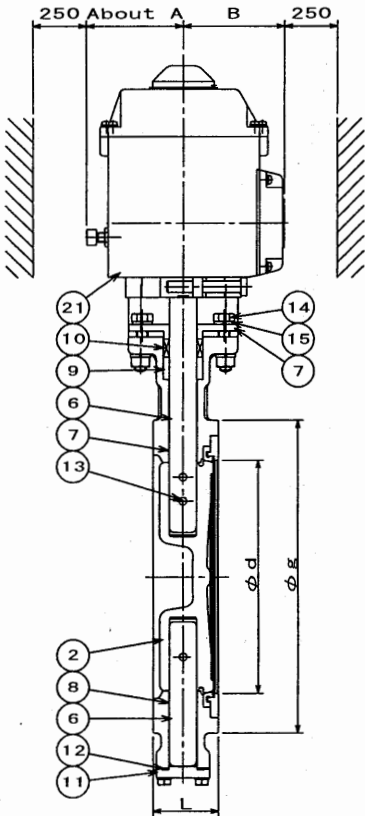
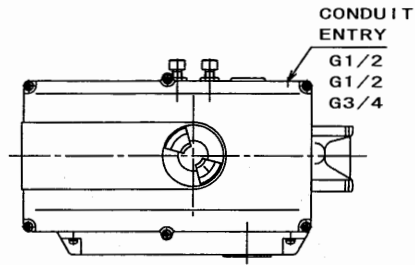
SIZE	JIS5K			JIS10K		
	C	N	M	C	N	M
80mm	145	4	M16	150	8	M16
100mm	165	8	M16	175	8	M16
125mm	200	8	M16	210	8	M20
150mm	230	8	M16	240	8	M20

NOTE \*1) IN CASE OF STEAM PTFE (WHITE) : WORKING TEMP. Max. 150°C

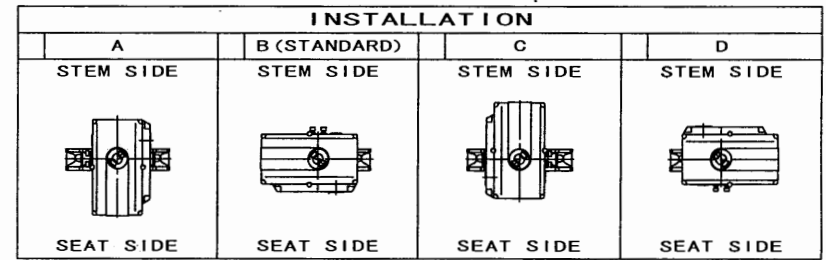
日付 DATE	Oct. 22. 2007	尺度 SCALE	FREE	製造番号 MFG. No.	
最高使用圧力 MAX. WORKING PRESS.	1.0 MPa Pe	使用温度 *1 WORKING TEMP.	-29~232 °C	形式 TYPE	MODEL 541T (K)
耐圧試験 SHELL TEST	1.5 MPa Pe	試験流体 TEST FLUID	WATER	名称 NAME	BUTTERFLY VALVES WITH ELECTRIC ACTUATOR
弁座試験 SEAT TEST	1.1 MPa Pe	許容漏れ LEAKAGE	0		
作成 DRAWN	検討 CHECKED	承認 APPROVED			
図面番号 DRAWING No.	541T MC 0637 E		Hd-1an975 SYONINST	株式会社オーケーエム OKUMURA ENGINEERING corp.	



SEAT DETAIL



No.	PARTS NAME	Check MATERIAL STANDARD	Check MATERIAL SEMI STANDARD	Check MATERIAL SEMI STANDARD	Q'ty	REMARK
1	BODY	SCS13A	SCS14A	SCS16A	1	
2	DISC	SCS13A	SCS14A	SCS16A	1	
3	SET RING	SCS13A	SCS14A	SCS16A	1	
4	SEAT RING	PTFE (WHITE) PTFE (BLACK)	PTFE (WHITE) PTFE (BLACK)	PTFE (WHITE) PTFE (BLACK)	1	*1
5	-	-	-	-	-	
6	STEM	SUS304	SUS316	SUS316L	1set	
7	GLAND	SCS14A	SCS14A	SCS14A	1	
8	BUSH	SUS316+PTFE	SUS316+PTFE	SUS316+PTFE	1set	
9	PACKING WASHER	SUS304	SUS316	SUS316L	1	
10	GLAND PACKING	PTFE	PTFE	PTFE	1set	
11	COVER	SCS13A	SCS14A	SCS16A	1	
12	GASKET	NON-ASBESTOS	NON-ASBESTOS	NON-ASBESTOS	1	
13	TAPER PIN	SUS304	SUS316	SUS316L	1set	
14	GLAND BOLT	SUS304	SUS316	SUS316	2	
15	SPRING WASHER	SUS304	SUS316	SUS316	2	
16	SET PIN	SUS420J2	SUS420J2	SUS420J2	2	
17	DRAW OUT SCREW	SUS304	SUS316	SUS316	2	
18	COVER BOLT	SCM435 (PLATED)	SCM435 (PLATED)	SCM435 (PLATED)	4	
19	SPRING WASHER	SUS304	SUS316	SUS316	4	
20	SPACER YOKE	SCS13A	SCS13A	SCS13A	2	
21	ACTUATOR	-	-	-	1	
22	STUD BOLT, NUT	SUS304	SUS304	SUS304	4	
23	SPRING WASHER	SUS304	SUS304	SUS304	4	

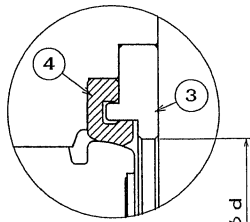


NOTE \*1) IN CASE OF STEAM PTFE (WHITE) : WORKING TEMP. Max. 150°C

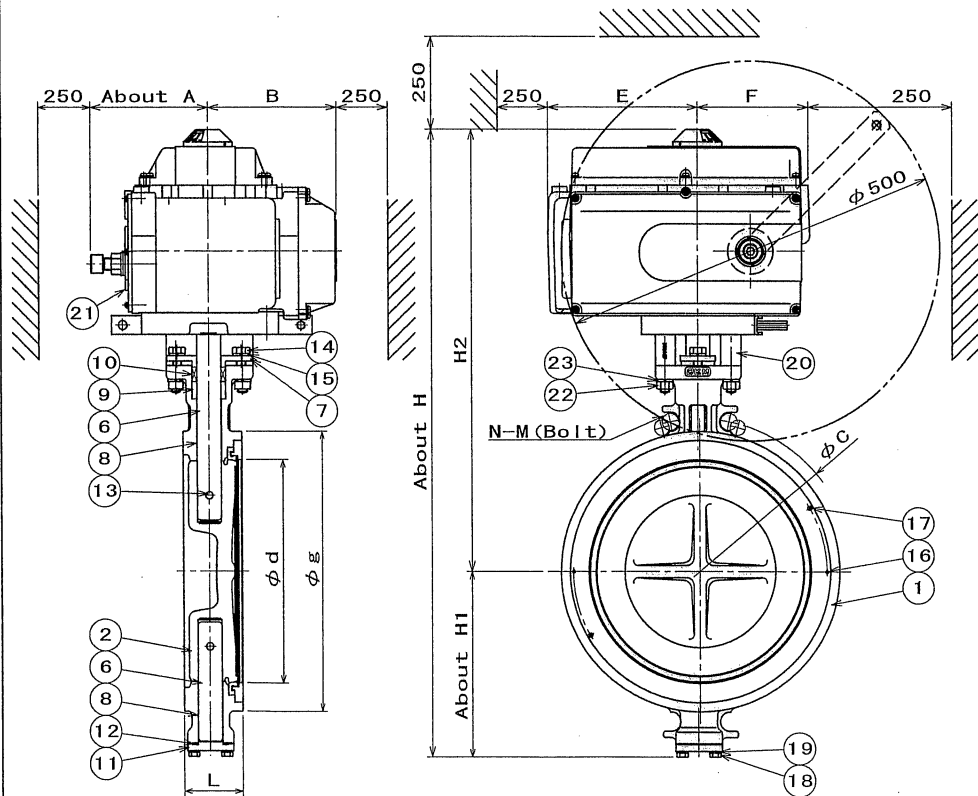
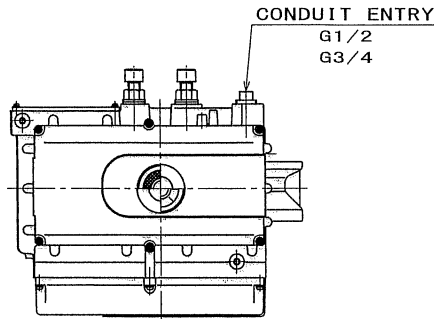
Check	SIZE	d	L	g	H	H1	H2	A	B	E	F	ACTUATOR SIZE	WEIGHT (About)
	200mm	195	60	265	666	183	483	100	105	177	124	GRV-40A	29.2Kg
	250mm	244	68	327	750	218	532	100	105	177	124	GRV-60A	31.6Kg

SIZE	JIS5K			JIS10K		
	C	N	M	C	N	M
200mm	280	8	M20	290	12	M20
250mm	345	12	M20	355	12	M22

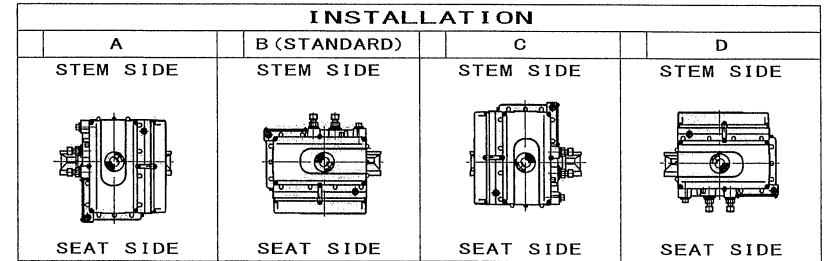
日付 DATE	Oct. 22. 2007	尺度 SCALE	FREE	製造番号 MFG. No.	
最高使用圧力 MAX. WORKING PRESS.	1.0 MPa P <sub>o</sub>	使用温度 *1 WORKING TEMP.	-29~232 °C	形式 TYPE	MODEL 541T (K)
耐圧試験 SHELL TEST	1.5 MPa P <sub>e</sub>	試験流体 TEST FLUID	WATER	名称 NAME	BUTTERFLY VALVES WITH ELECTRIC ACTUATOR
弁座試験 SEAT TEST	1.1 MPa P <sub>e</sub>	許容漏れ LEAKAGE	0		
作成 DRAWN	検討 CHECKED	承認 APPROVED		株式会社オーケーエム OKUMURA ENGINEERING corp.	
図面番号 DRAWING No.	541T MC 0638 E			Hd-1an975 SYONINST	



SEAT DETAIL



No.	PARTS NAME	Check	MATERIAL	Check	MATERIAL	Check	MATERIAL	Q'ty	REMARK
			STANDARD		SEMI STANDARD		SEMI STANDARD		
1	BODY		SCS13A		SCS14A		SCS16A	1	
2	DISC		SCS13A		SCS14A		SCS16A	1	
3	SET RING		SCS13A		SCS14A		SCS16A	1	
4	SEAT RING		PTFE (WHITE) PTFE (BLACK)		PTFE (WHITE) PTFE (BLACK)		PTFE (WHITE) PTFE (BLACK)	1	*1
5	-		-		-		-	-	
6	STEM		SUS304		SUS316		SUS316L	1set	
7	GLAND		SCS14A		SCS14A		SCS14A	1	
8	BUSH		SUS316+PTFE		SUS316+PTFE		SUS316+PTFE	1set	
9	PACKING WASHER		SUS304		SUS316		SUS316L	1	
10	GLAND PACKING		PTFE		PTFE		PTFE	1set	
11	COVER		SCS13A		SCS14A		SCS16A	1	
12	GASKET		NON-ASBESTOS		NON-ASBESTOS		NON-ASBESTOS	1	
13	TAPER PIN		SUS304		SUS316		SUS316L	1set	
14	GLAND BOLT		SUS304		SUS316		SUS316	2	
15	SPRING WASHER		SUS304		SUS316		SUS316	2	
16	SET PIN		SUS420J2		SUS420J2		SUS420J2	2	
17	DRAW OUT SCREW		SUS304		SUS316		SUS316	2	
18	COVER BOLT		SCM435 (PLATED)		SCM435 (PLATED)		SCM435 (PLATED)	4	
19	SPRING WASHER		SUS304		SUS316		SUS316	4	
20	SPACER YOKE		SCS13A		SCS13A		SCS13A	2	
21	ACTUATOR		-		-		-	1	
22	STUD BOLT, NUT		SUS304		SUS304		SUS304	4	
23	SPRING WASHER		SUS304		SUS304		SUS304	4	



NOTE \*1) IN CASE OF STEAM PTFE (WHITE) : WORKING TEMP. Max. 150°C

SIZE	d	L	g	H	H1	H2	A	B	E	F	ACTUATOR SIZE	MASS (About)
300A	293	78	367	825	243	582	157	168	198	146	CRV-100A	47.2kg

SIZE	JIS5K			JIS10K		
	C	N	M	C	N	M
300A	390	12	M20	400	16	M22

日付 DATE	JUN. 04, 2014	尺度 SCALE	FREE	製造番号 MFG. No.	
最高使用圧力 MAX. WORKING PRESS.	1.0 MPa Pe	使用温度 WORKING TEMP.	*1 -29~232 °C	形式 TYPE	MODEL 541T (K)
耐圧試験 SHELL TEST	1.5 MPa Pe	試験流体 TEST FLUID	WATER	名称 NAME	BUTTERFLY VALVE WITH ELECTRIC ACTUATOR
弁座試験 SEAT TEST	1.1 MPa Pe	許容漏れ LEAKAGE	o		
作成 DRAWN	検討 CHECKED	承認 APPROVED			
	<i>2-28</i>	<i>akei</i>	<i>Horio</i>		
図面番号 DRAWING No.	541T MC 1242 E			HD SYONINST	



株式会社オーケーエム  
OKUMURA ENGINEERING corp.