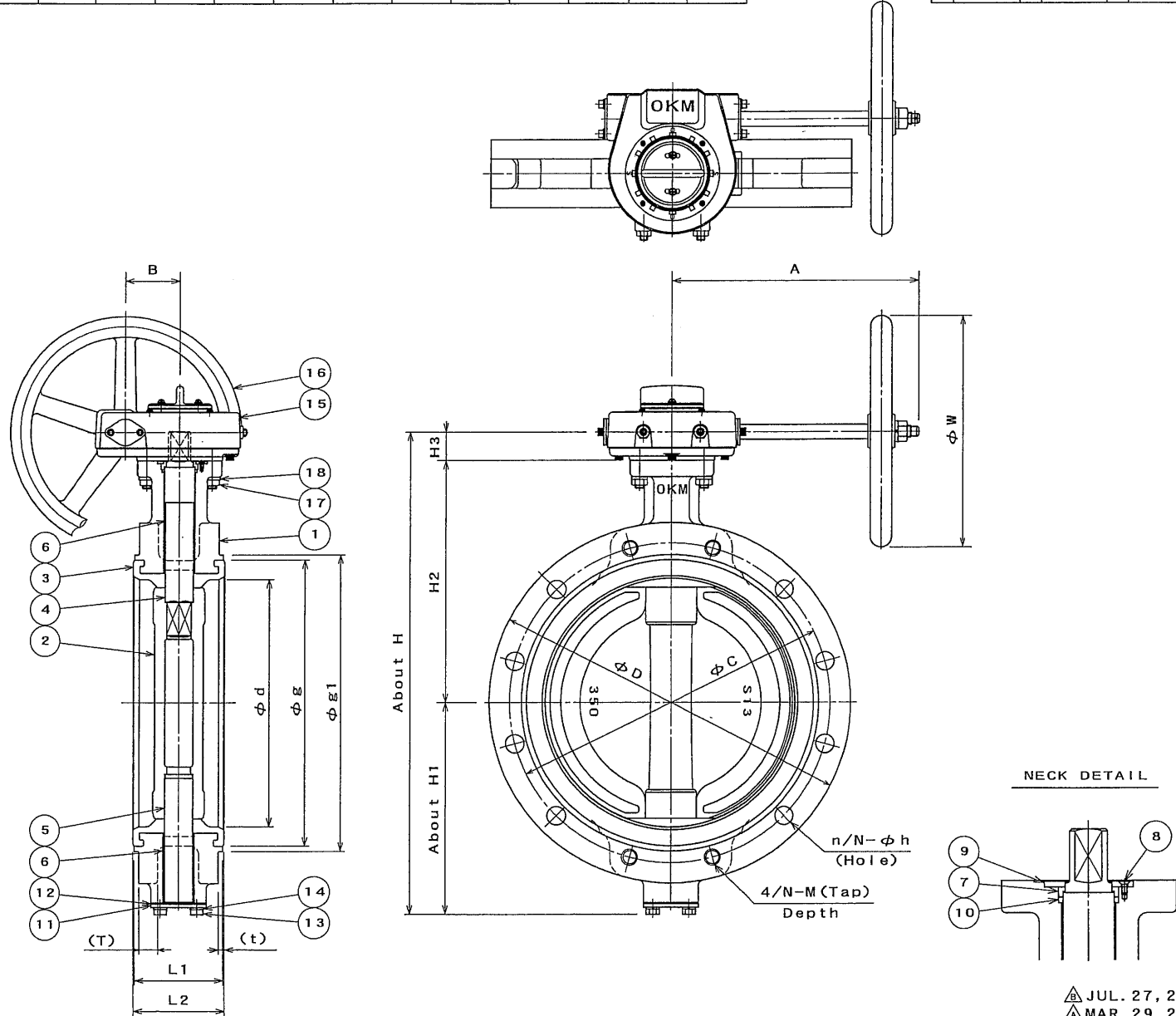


SIZE	d	D	L1	L2	g	g1	H	H1	H2	H3	t	T	A	B	W	GEAR SIZE	MASS (Approx.)
350A	336	490	120	123.5	389	403	657.5	289	330	38.5	6	26	335	73.9	315	63K	95Kg

SIZE	JIS5K							JIS10K						
	C	n	N	h	M	Tap Depth	C	n	N	h	M	Tap Depth		
350A	435	8	12	25	M22	28	445	12	16	25	M22	28		

Table 1	Table 2	Table 3
SCPH2	SCS13	NBR #1
FCD450	SCS14	EPDM#2



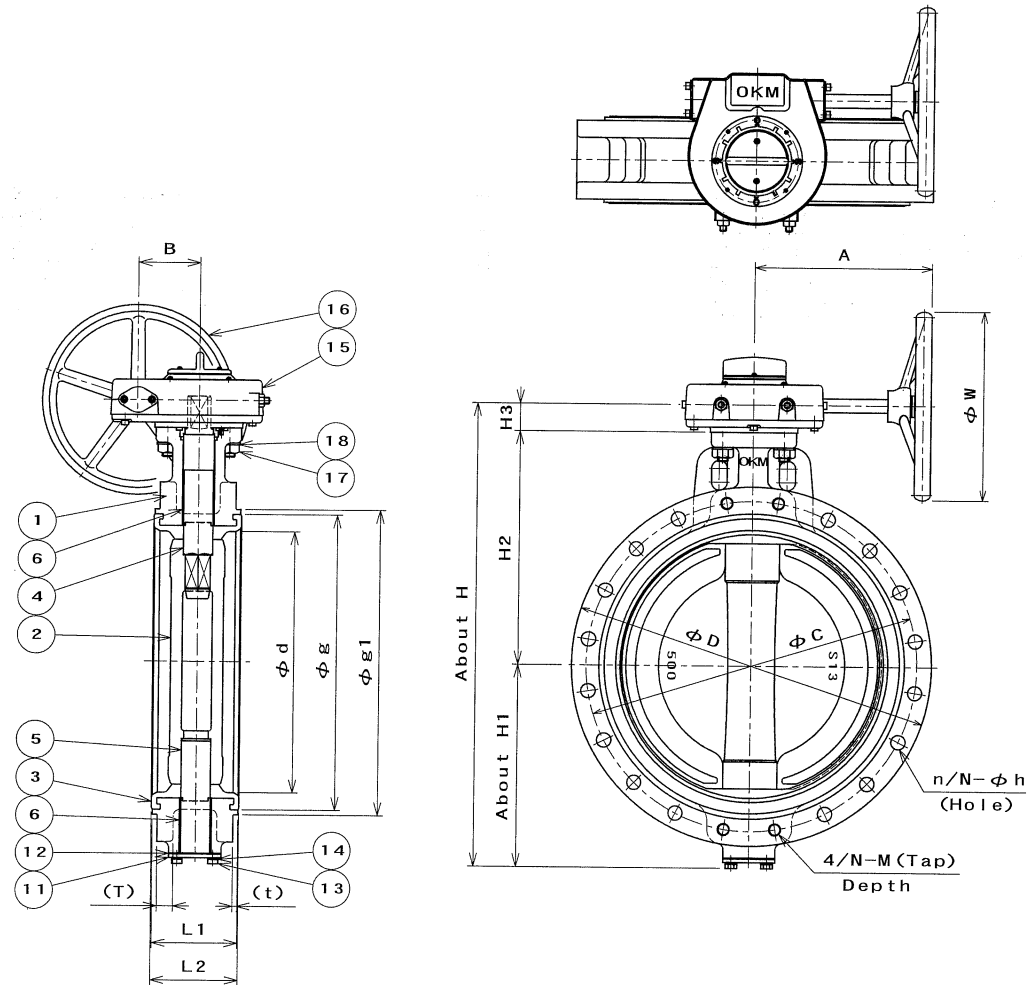
製番 MFG. NO.			
名称及形式 NAME AND TYPE			
MODEL 606F (350A) BUTTERFLY VALVE WITH WORM GEAR OPERATOR			
番号 NO.	部品名称 PARTS NAME	材質 MATERIAL	数量 Q. ty
1	BODY	See Table 1	1
2	DISC	See Table 2	1
3	SEAT RING	See Table 3	1
4	UPPER STEM	SUS420J2	1
5	LOWER STEM	SUS420J2	1
6	BUSH	PLASTIC	1set
7	NECK BUSH	PLASTIC	1
8	SCREW	SWRM	4 PLATED
9	SET PLATE	SS400	1 PLATED
10	O-RING	NBR	1
11	COVER	SS400	1 PLATED
12	GASKET	NON-ASBESTOS	1
13	COVER BOLT	SWRCH	4 PLATED
14	SPRING WASHER	SWRH	4 PLATED
15	GEAR BOX	FC250	1
16	HAND WHEEL	FC250	1
17	STUD BOLT, NUT	SGD SWRCH	4 PLATED
18	SPRING WASHER	SWRH	4 PLATED
19			
20			
21			
22			
23			
24			
25			
日付 DATE	DEC. 22, 2004	尺度 SCALE	FREE
使用圧力 WORKING PRESSURE	Max 0.5/1.0 MPa P _e	使用温度*1 WORKING TEMP. *1	-10~70℃
耐圧試験 SHELL TEST	1.5 MPa P _e	試験流体 TEST FLUID	WATER
弁座試験 SEAT TEST	0.55/1.1 MPa P _e	許容漏れ LEAKAGE	0 %
作成 DRAWN	検付 CHECKED	承認 APPROVED	
OKM 株式会社オーケーエム OKUMURA ENGINEERING corp.			
図面番号 DRAWING NO.	606F GB 0941 EB	FLOP. No.	Hd-1an975

△ JUL. 27, 2009
△ MAR. 29, 2006

SIZE	d	D	L1	L2	g	g1	H	H1	H2	H3	t	T	A	B	W	GEAR SIZE	MASS (About)
400A	390	560	130	133.5	448	463	737	322	370	45	6	28	320	97.1	315	100K	129kg
450A	439	620	150	153.5	504	523	790	345	400	45	6	30	320	97.1	315	100K	159kg
500A	490	675	160	164	554	573	872	379	440	53	6	30	331	114.5	355	160K	215kg
550A	540	745	170	174	608	630	933	410	470	53	6	32	392	114.5	450	160K	258kg
600A	589	795	170	174	658	680	1003	445	505	53	6	32	392	114.5	450	160K	290kg

SIZE	JIS5K						JIS10K					
	C	n	N	h	M	Tap Depth	C	n	N	h	M	Tap Depth
400A	495	12	16	25	M22	28	510	12	16	27	M24	30
450A	555	12	16	25	M22	28	565	16	20	27	M24	30
500A	605	16	20	25	M22	28	620	16	20	27	M24	30
550A	665	16	20	27	M24	30	680	16	20	33	M30	35
600A	715	16	20	27	M24	30	730	20	24	33	M30	35

Table 1	Table 2	Table 3
SCPH2	SCS13	NBR *1
FCD450	SCS14	EPDM*2



製番 MFG. NO.			
名称及形式 NAME AND TYPE	MODEL 606F (400A~600A) BUTTERFLY VALVES WITH WORM GEAR OPERATOR		
番号 NO.	部品名称 PARTS NAME	材質 MATERIAL	数量 Q. ty
1	BODY	See Table 1	1
2	DISC	See Table 2	1
3	SEAT RING	See Table 3	1
4	UPPER STEM	SUS420J2	1
5	LOWER STEM	SUS420J2	1
6	BUSH	PLASTIC	1set
7	NECK BUSH	PLASTIC	1
8	SCREW	SWRM	4 PLATED
9	SET PLATE	SS400	1 PLATED
10	O-RING	NBR	1
11	COVER	SS400	1 PLATED
12	GASKET	NON-ASBESTOS	1
13	COVER BOLT	SWRCH	4 PLATED
14	SPRING WASHER	SWRH	4 PLATED
15	GEAR BOX	FC250	1
16	HAND WHEEL	FC250	1
17	STUD BOLT, NUT	SGD SWRCH	4 PLATED
18	SPRING WASHER	SWRH	4 PLATED
19			
20			
21			
22			
23			
24			
25			
日付 DATE	NOV. 13, 2012	尺度 SCALE	FREE
使用压力 WORKING PRESSURE	Max 0.5/1.0 MPa Pe	使用温度 WORKING TEMP.	♯1:-10~70 ♯2:-20~120 °C
耐压試験 SHELL TEST	1.5 MPa Pe	試験流体 TEST FLUID	WATER
弁座試験 SEAT TEST	0.55/1.1 MPa Pe	許容漏れ LEAKAGE	0 %
作成 DRAWN	検討 CHECKED	承認 APPROVED	
M.H	T.H	[Signature]	
			株式会社 オーケーエム OKUMURA ENGINEERING CORP.
図面番号 DRAWING NO.	606F GB 1500 E		FLOP. No. Hd