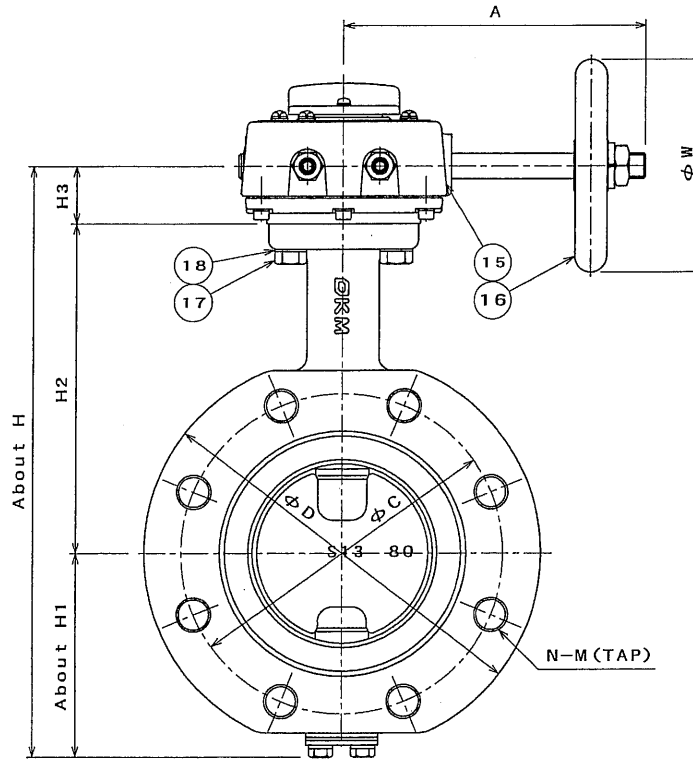
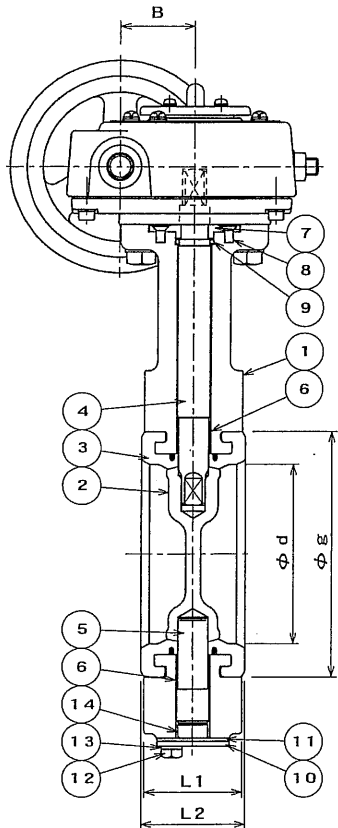
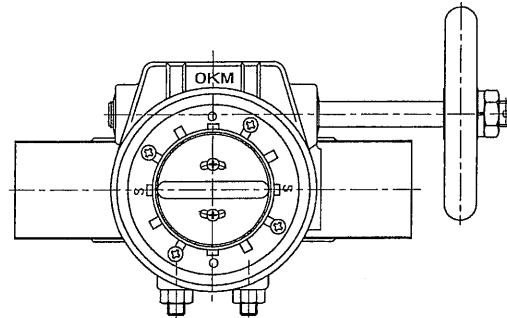


| SIZE | d   | D   | L1 | L2 | g   | H   | H1  | H2  | H3 | A   | B  | W   | GEAR SIZE | MASS (about) |
|------|-----|-----|----|----|-----|-----|-----|-----|----|-----|----|-----|-----------|--------------|
| 50A  | 55  | 155 | 43 | 46 | 81  | 237 | 70  | 140 | 27 | 141 | 35 | 100 | 4K        | 7.8Kg        |
| 65A  | 66  | 175 | 46 | 49 | 104 | 257 | 80  | 150 | 27 | 141 | 35 | 100 | 4K        | 9.6Kg        |
| 80A  | 84  | 185 | 46 | 49 | 115 | 278 | 96  | 155 | 27 | 141 | 35 | 100 | 4K        | 10.8Kg       |
| 100A | 100 | 210 | 52 | 55 | 136 | 310 | 116 | 167 | 27 | 141 | 35 | 100 | 4K        | 13.6Kg       |

| SIZE | JIS5K |   |     | JIS10K |   |     |
|------|-------|---|-----|--------|---|-----|
|      | C     | N | M   | C      | N | M   |
| 50A  | 105   | 4 | M12 | 120    | 4 | M16 |
| 65A  | 130   | 4 | M12 | 140    | 4 | M16 |
| 80A  | 145   | 4 | M16 | 150    | 8 | M16 |
| 100A | 165   | 8 | M16 | 175    | 8 | M16 |

| Table 1 | Table 2 | Table 3 |
|---------|---------|---------|
| SCPH2   | SCS13   | NBR #1  |
| FCD450  | SCS14   | EPDM#2  |



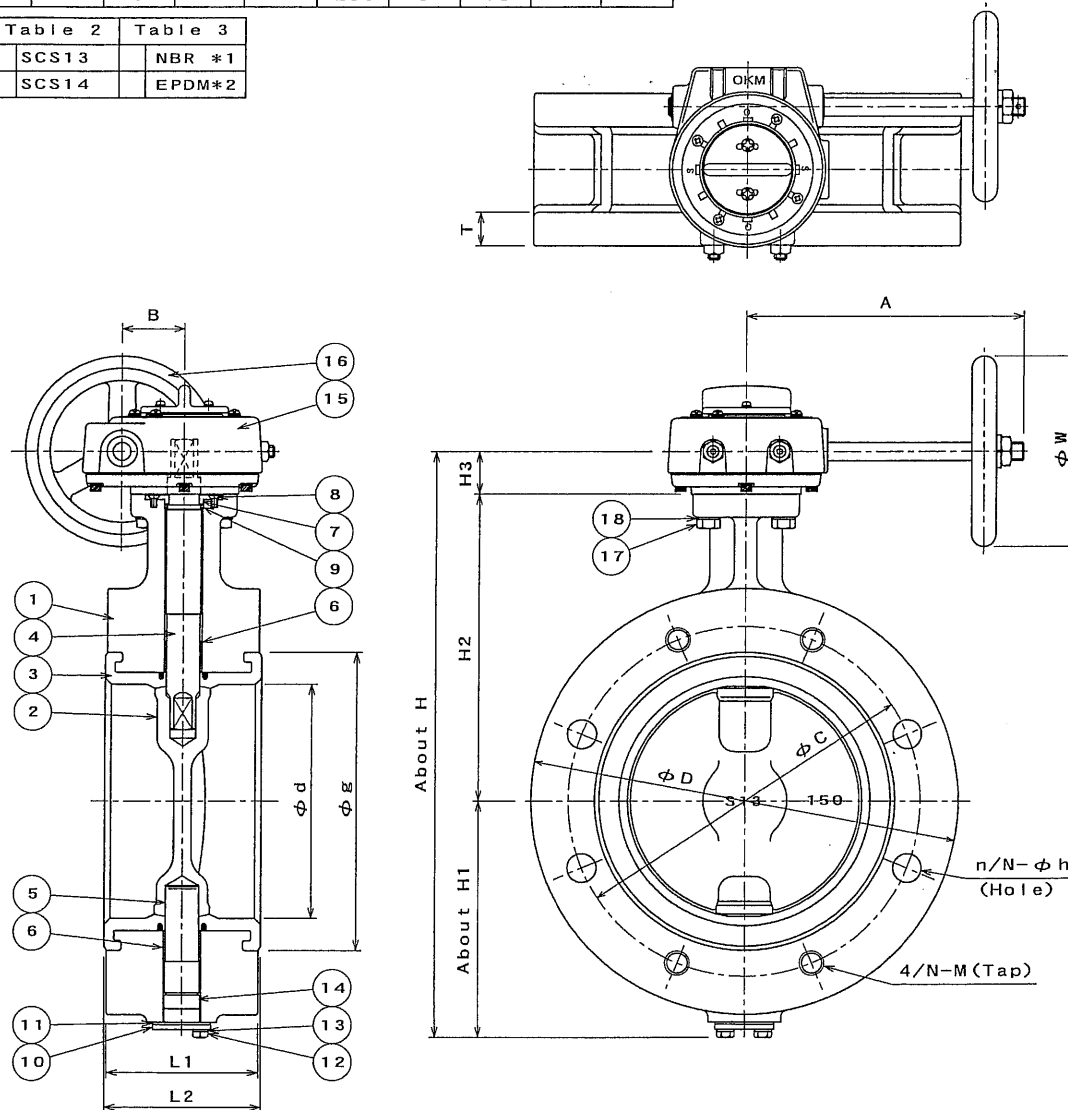
| 製番<br>MFG. NO.             |                                | 名称及形式<br>NAME AND TYPE   |                |                   |
|----------------------------|--------------------------------|--|----------------|-------------------|
|                            |                                | MODEL 606K (50A~100A)<br>BUTTERFLY VALVES WITH<br>WORM GEAR OPERATOR |                |                   |
| 番<br>NO.                   | 部<br>品<br>名<br>称<br>PARTS NAME | 材<br>質<br>MATERIAL   | 数<br>量<br>Q.ty | 備<br>考<br>REMARKS |
| 1                          | BODY                           | See Table 1  | 1              |                   |
| 2                          | DISC                           | See Table 2  | 1              |                   |
| 3                          | SEAT RING                      | See Table 3  | 1              |                   |
| 4                          | UPPER STEM                     | SUS420J2   | 1              |                   |
| 5                          | LOWER STEM                     | SUS420J2   | 1              |                   |
| 6                          | BUSH                           | PLASTIC  | 1set           |                   |
| 7                          | NECK BUSH                      | PLASTIC  | 1              |                   |
| 8                          | SCREW                          | SUS304   | 4              |                   |
| 9                          | O-RING                         | NBR  | 1              |                   |
| 10                         | COVER                          | SPCC   | 1              | PLATED            |
| 11                         | GASKET                         | NBR  | 1              |                   |
| 12                         | COVER BOLT                     | SUS304   | 2              |                   |
| 13                         | SPRING WASHER                  | SUS304   | 2              |                   |
| 14                         | DISTANCE PIECE                 | SUS420J2   | 1              | 80A, 100A         |
| 15                         | GEAR BOX                       | FC250  | 1              |                   |
| 16                         | HAND WHEEL                     | FC250  | 1              |                   |
| 17                         | BOLT                           | SWRCH  | 4              | PLATED            |
| 18                         | SPRING WASHER                  | SWRCH  | 4              | PLATED            |
| 19                         |                                |  |                |                   |
| 20                         |                                |  |                |                   |
| 21                         |                                |  |                |                   |
| 22                         |                                |  |                |                   |
| 23                         |                                |  |                |                   |
| 24                         |                                |  |                |                   |
| 25                         |                                |  |                |                   |
| 日付<br>DATE                 | Sep. 18. 2003                  | 尺 度<br>SCALE   | FREE           |                   |
| 使用 圧 力<br>WORKING PRESSURE | Max 0.5/1.0 MPa<br>Pa          | 使用 温 度*1:<br>WORKING TEMP. #1:                                       | -10~70℃        |                   |
| 耐 圧 試 験<br>SHELL TEST      | 1.5 MPa<br>Pa                  | 試 験 流 体<br>TEST FLUID  | WATER          |                   |
| 弁 座 試 験<br>SEAT TEST       | 0.55/1.1 MPa<br>Pa             | 許 容 漏 洩<br>LEAKAGE   | 0 %            |                   |
| 作 成<br>DRAWN               | 検 討<br>CHECKED                 | 承 認<br>APPROVED  |                |                   |
| S.Y                        |                                | 7.17   |                |                   |
| <b>OKM</b>                 |                                | 株式会社 オークエム<br>OKUMURA ENGINEERING corp.                              |                |                   |
| 図 面 番 号<br>DRAWING NO.     | 606K GB 0115 EA                | FLOP. No.  | Hd-1an975      |                   |

△ JUL. 16, 2009

| SIZE | d   | D   | L1  | L2  | g   | H   | H1  | H2  | H3 | T  | A   | B  | W   | GEAR SIZE | MASS (about) |
|------|-----|-----|-----|-----|-----|-----|-----|-----|----|----|-----|----|-----|-----------|--------------|
| 125A | 130 | 250 | 100 | 103 | 167 | 355 | 140 | 187 | 28 | 20 | 182 | 41 | 125 | 8K        | 21.4Kg       |
| 150A | 154 | 280 | 100 | 103 | 196 | 385 | 155 | 202 | 28 | 22 | 182 | 41 | 125 | 8K        | 25.3Kg       |
| 200A | 200 | 330 | 100 | 103 | 242 | 442 | 183 | 230 | 29 | 22 | 211 | 51 | 160 | 16K       | 35.6Kg       |

| SIZE | JIS5K |   |   |    |     | JIS10K |   |    |    |     |
|------|-------|---|---|----|-----|--------|---|----|----|-----|
|      | C     | n | N | h  | M   | C      | n | N  | h  | M   |
| 125A | 200   | 4 | 8 | 19 | M16 | 210    | 4 | 8  | 23 | M20 |
| 150A | 230   | 4 | 8 | 19 | M16 | 240    | 4 | 8  | 23 | M20 |
| 200A | 280   | 4 | 8 | 23 | M20 | 290    | 8 | 12 | 23 | M20 |

| Table 1 | Table 2 | Table 3 |
|---------|---------|---------|
| SCPH2   | SCS13   | NBR #1  |
| FCD450  | SCS14   | EPDM#2  |



製 番  
MFG. NO.

名 称 及 形 式  
NAME AND TYPE

MODEL 606K (125A~200A)  
BUTTERFLY VALVES WITH  
WORM GEAR OPERATOR

| 番号<br>NO. | 部 品 名 称<br>PARTS NAME | 材 質<br>MATERIAL | 数 量<br>Q.ty | 備 考<br>REMARKS       |
|-----------|-----------------------|-----------------|-------------|----------------------|
| 1         | BODY                  | See Table 1     | 1           |                      |
| 2         | DISC                  | See Table 2     | 1           |                      |
| 3         | SEAT RING             | See Table 3     | 1           |                      |
| 4         | UPPER STEM            | SUS420J2        | 1           |                      |
| 5         | LOWER STEM            | SUS420J2        | 1           |                      |
| 6         | BUSH                  | PLASTIC         | 1set        |                      |
| 7         | NECK BUSH             | PLASTIC         | 1           |                      |
| 8         | SCREW                 | SUS304          | 4           |                      |
| 9         | O-RING                | NBR             | 1           |                      |
| 10        | COVER                 | SPCC            | 1           | PLATED               |
| 11        | GASKET                | NBR             | 1           |                      |
| 12        | COVER BOLT            | SUS304          | 2           |                      |
| 13        | SPRING WASHER         | SUS304          | 2           |                      |
| 14        | DISTANCE PIECE        | SUS420J2        | 1           | 125A, 200A △<br>150A |
| 15        | GEAR BOX              | FC250           | 1           |                      |
| 16        | HAND WHEEL            | FC250           | 1           |                      |
| 17        | BOLT                  | SWRCH           | 4           | PLATED               |
| 18        | SPRING WASHER         | SWRH            | 4           | PLATED               |
| 19        |                       |                 |             |                      |
| 20        |                       |                 |             |                      |
| 21        |                       |                 |             |                      |
| 22        |                       |                 |             |                      |
| 23        |                       |                 |             |                      |
| 24        |                       |                 |             |                      |
| 25        |                       |                 |             |                      |

日付  
DATE

尺 度  
SCALE

Sep. 18, 2003

FREE

使 用 压 力  
WORKING PRESSURE

Max 0.5/1.0 MPa  
P<sub>g</sub>

使 用 温 度  
WORKING TEMP.

#1:-10~70℃  
#2:-20~120℃

耐 压 试 验  
SHELL TEST

1.5 MPa  
P<sub>g</sub>

试 验 流 体  
TEST FLUID

WATER

井 座 试 验  
SEAT TEST

0.55/1.1 MPa  
P<sub>g</sub>

许 容 漏 洩  
LEAKAGE

0 %

作 成  
DRAWN

検 査  
CHECKED

承 認  
APPROVED

S.Y.

2003

[Signature]

**OKM** 株式会社 オーケーエム  
OKUMURA ENGINEERING corp.

△ JUL. 16, 2009  
△ JUL. 12, 2005

図 面 番 号  
DRAWING NO.

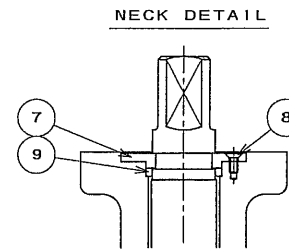
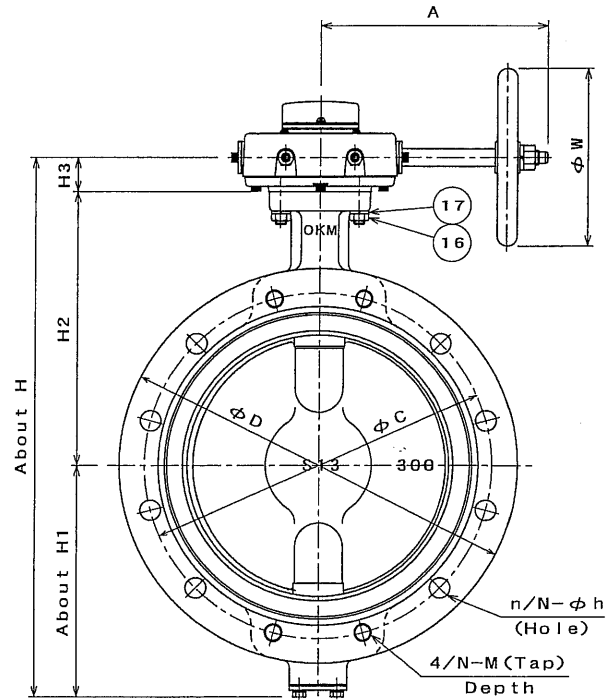
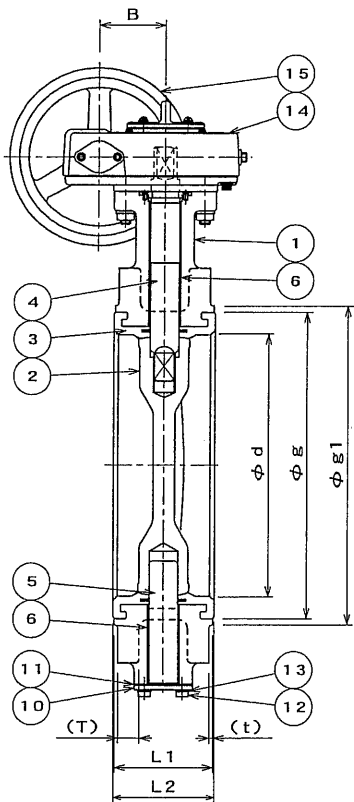
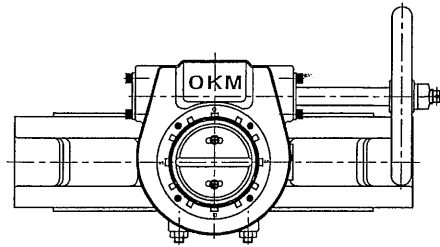
606K GB 0116 EB

FLOP.No.  
Hd-1an975

| SIZE | d   | D   | L1  | L2  | g   | g1  | H     | H1  | H2  | H3   | t | T  | A   | B    | W   | GEAR SIZE | MASS (about) |
|------|-----|-----|-----|-----|-----|-----|-------|-----|-----|------|---|----|-----|------|-----|-----------|--------------|
| 250A | 246 | 400 | 110 | 113 | 300 | 317 | 541.5 | 223 | 280 | 38.5 | 4 | 24 | 255 | 73.9 | 200 | 63K       | 62Kg         |
| 300A | 295 | 445 | 110 | 113 | 346 | 360 | 608.5 | 260 | 310 | 38.5 | 4 | 24 | 255 | 73.9 | 200 | 63K       | 71Kg         |

| SIZE | JIS5K |   |    |    |     |           | JIS10K |    |    |    |     |           |
|------|-------|---|----|----|-----|-----------|--------|----|----|----|-----|-----------|
|      | C     | n | N  | h  | M   | Tap Depth | C      | n  | N  | h  | M   | Tap Depth |
| 250A | 345   | 8 | 12 | 23 | M20 | 25        | 355    | 8  | 12 | 25 | M22 | 28        |
| 300A | 390   | 8 | 12 | 23 | M20 | 25        | 400    | 12 | 16 | 25 | M22 | 28        |

| Table 1 | Table 2 | Table 3 |
|---------|---------|---------|
| SCPH2   | SCS13   | NBR #1  |
| FCD450  | SCS14   | EPDM#2  |



| 製 番<br>MFG. NO.            |                                   | 名称及形式<br>NAME AND TYPE                      |                 |                        |
|----------------------------|-----------------------------------|---|-----------------|------------------------|
|                            |                                   | MODEL 606K (250A, 300A)                     |                 |                        |
|                            |                                   | BUTTERFLY VALVES WITH<br>WORM GEAR OPERATOR |                 |                        |
| 番号<br>NO.                  | 部品名称<br>PARTS NAME                | 材 質<br>MATERIAL                             | 数量<br>Q. ty     | 備 考<br>REMARKS         |
| 1                          | BODY                              | See Table 1                                 | 1               |                        |
| 2                          | DISC                              | See Table 2                                 | 1               |                        |
| 3                          | SEAT RING                         | See Table 3                                 | 1               |                        |
| 4                          | UPPER STEM                        | SUS420J2                                    | 1               |                        |
| 5                          | LOWER STEM                        | SUS420J2                                    | 1               |                        |
| 6                          | BUSH                              | PLASTIC                                     | 1set            |                        |
| 7                          | NECK BUSH                         | PLASTIC                                     | 1               |                        |
| 8                          | SCREW                             | SUS304                                      | 4               |                        |
| 9                          | O-RING                            | NBR   | 1               |                        |
| 10                         | COVER                             | SS400                                       | 1               | PLATED                 |
| 11                         | GASKET                            | NBR   | 1               |                        |
| 12                         | COVER BOLT                        | SUS304                                      | 4               |                        |
| 13                         | SPRING WASHER                     | SUS304                                      | 4               |                        |
| 14                         | GEAR BOX                          | FC250                                       | 1               |                        |
| 15                         | HAND WHEEL                        | FC250                                       | 1               |                        |
| 16                         | STUD BOLT, NUT                    | SGD<br>SWRCH                                | 4               | PLATED                 |
| 17                         | SPRING WASHER                     | SWRH  | 4               | PLATED                 |
| 18                         |                                   |   |                 |                        |
| 19                         |                                   |   |                 |                        |
| 20                         |                                   |   |                 |                        |
| 21                         |                                   |   |                 |                        |
| 22                         |                                   |   |                 |                        |
| 23                         |                                   |   |                 |                        |
| 24                         |                                   |   |                 |                        |
| 25                         |                                   |   |                 |                        |
| 日付<br>DATE                 | Sep. 18, 2003                     | 尺 度<br>SCALE                                | FREE            |                        |
| 使用 圧 力<br>WORKING PRESSURE | Max 0.5/1.0 MPa<br>P <sub>e</sub> | 使用 温 度*1:<br>WORKING TEMP. #1:              | -10~70℃         |                        |
| 耐 圧 試 験<br>SHELL TEST      | 1.5 MPa<br>P <sub>e</sub>         | 試 験 流 体<br>TEST FLUID                       | WATER           |                        |
| 弁 座 試 験<br>SEAT TEST       | 0.55/1.1 MPa<br>P <sub>e</sub>    | 許 容 漏 れ<br>LEAKAGE                          | 0 %             |                        |
| 作 成<br>DRAWN               | 検 討<br>CHECKED                    | 承 認<br>APPROVED                             |                 |                        |
| S.Y                        |                                   | J. I  |                 |                        |
|                            |                                   | 株式会社 オーケーエム<br>OKUMURA ENGINEERING corp.    |                 |                        |
|                            |                                   | 図 面 番 号<br>DRAWING NO.                      | 606K GB 0117 EB | FLOP. No.<br>Hd-1an975 |

△ JUL. 16, 2009  
△ OCT. 24, 2006