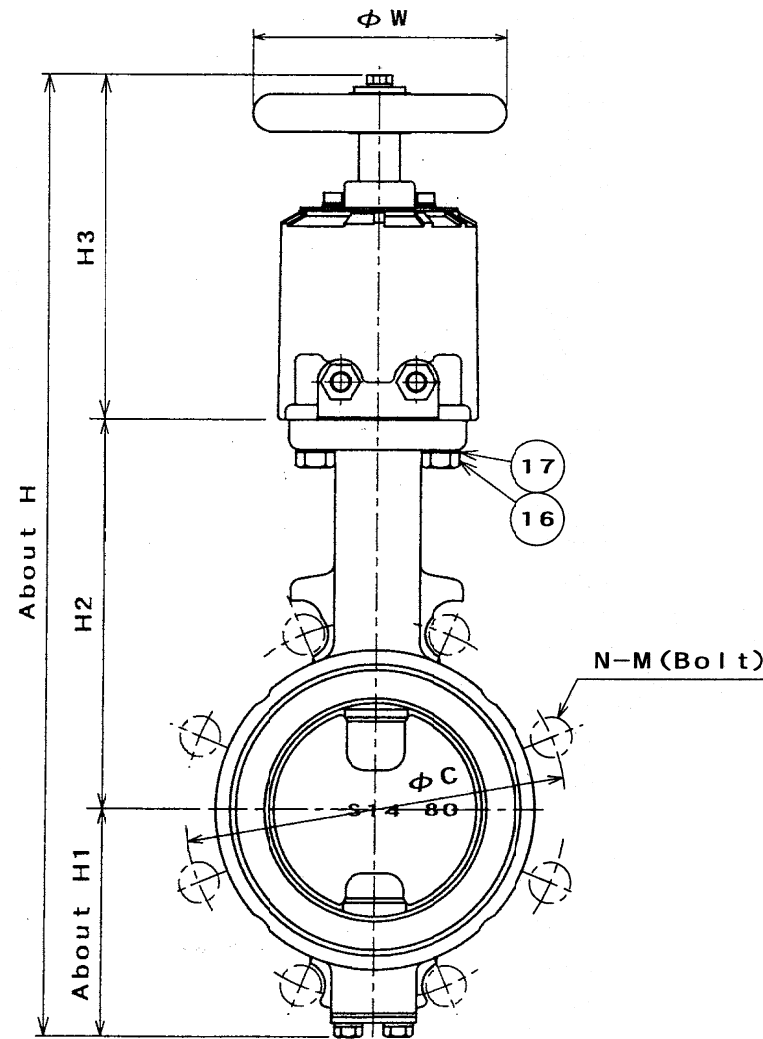
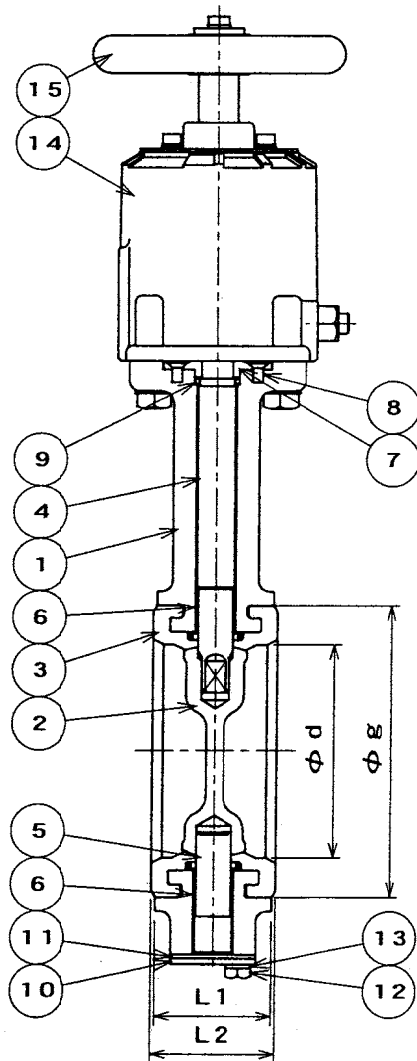
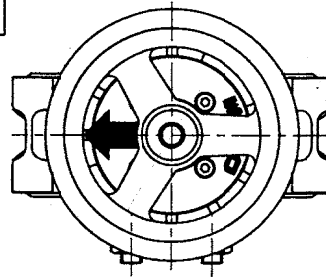


| SIZE | d | L1 | L2 | g | H | H1 | H2 | H3 | W | GEAR SIZE | MASS (About) |
|------|-----|----|------|-----|-----|-----|-----|-----|-----|-----------|--------------|
| 40A | 43 | 33 | 35.3 | 69 | 336 | 66 | 132 | 138 | 100 | 8K | 4.6Kg |
| 50A | 55 | 43 | 46 | 81 | 347 | 69 | 140 | 138 | 100 | 8K | 5.1Kg |
| 65A | 66 | 46 | 49 | 104 | 368 | 80 | 150 | 138 | 100 | 8K | 6.0Kg |
| 80A | 84 | 46 | 49 | 115 | 382 | 89 | 155 | 138 | 100 | 8K | 6.1Kg |
| 100A | 100 | 52 | 55 | 136 | 411 | 106 | 167 | 138 | 100 | 8K | 7.0Kg |

| SIZE | JIS5K | | | JIS10K | | | ASME125Lb/150Lb | | |
|------|-------|---|-----|--------|---|-----|-----------------|---|-----------|
| | C | N | M | C | N | M | C | N | M |
| 40A | 95 | 4 | M12 | 105 | 4 | M16 | 98.4 | 4 | 1/2 13UNC |
| 50A | 105 | 4 | M12 | 120 | 4 | M16 | 120.7 | 4 | 5/8 11UNC |
| 65A | 130 | 4 | M12 | 140 | 4 | M16 | 139.7 | 4 | 5/8 11UNC |
| 80A | 145 | 4 | M16 | 150 | 8 | M16 | 152.4 | 4 | 5/8 11UNC |
| 100A | 165 | 8 | M16 | 175 | 8 | M16 | 190.5 | 8 | 5/8 11UNC |

| Table 1 | Table 2 |
|----------|---------|
| SCS14 | NBR *1 |
| CAC701*3 | EPDM*2 |

*3 50A~



製番
MFG. NO.

名称及形式
NAME AND TYPE
MODEL 612X (40A~100A)
BUTTERFLY VALVES WITH
TOP HANDLE OPERATOR
Type C

| 番号 NO. | 部品名称 PARTS NAME | 材質 MATERIAL | 数量 Q. ty | 備考 REMARKS |
|-----------|--------------------|----------------|-------------|---------------|
| 1 | BODY | FCD450 | 1 | |
| 2 | DISC | See Table 1 | 1 | |
| 3 | SEAT RING | See Table 2 | 1 | |
| 4 | UPPER STEM | SUS420J2 | 1 | |
| 5 | LOWER STEM | SUS420J2 | 1 | |
| 6 | BUSH | PLASTIC | 1set | |
| 7 | NECK BUSH | PLASTIC | 1 | |
| 8 | SCREW | SUS304 | 4 | |
| 9 | O-RING | NBR | 1 | |
| 10 | COVER | SPCC | 1 | PLATED |
| 11 | GASKET | NBR | 1 | |
| 12 | COVER BOLT | SUS304 | 2 | |
| 13 | SPRING WASHER | SUS304 | 2 | |
| 14 | GEAR | FCD450 | 1 | |
| 15 | HAND WHEEL | FC250 | 1 | |
| 16 | BOLT | SWRCH | 4 | PLATED |
| 17 | SPRING WASHER | SWRH | 4 | PLATED |
| 18 | | | | |
| 19 | | | | |
| 20 | | | | |
| 21 | | | | |
| 22 | | | | |
| 23 | | | | |
| 24 | | | | |
| 25 | | | | |

| | | | |
|--------------------------|-----------------------|--|-------|
| 日付 DATE | FEB. 15, 2002 | 尺度 SCALE | FREE |
| 使用圧力 WORKING PRESSURE | Max 0.5/1.0 MPa Pe | 使用温度 *1: -10~70℃ WORKING TEMP. *2: -20~120℃ | |
| 耐圧試験 SHELL TEST | 1.5 MPa Pe | 試験流体 TEST FLUID | WATER |
| 弁座試験 SEAT TEST | 0.55/1.1 MPa Pe | 許容漏れ LEAKAGE | 0 * |

| | | |
|-------------|---------------|----------------|
| 作成 DRAWN | 検討 CHECKED | 承認 APPROVED |
| S.Y | F.Y | [Signature] |

OKM 株式会社 オーケーエム
OKUMURA ENGINEERING corp.

△ JUL. 06, 2009
△ JUL. 03, 2003

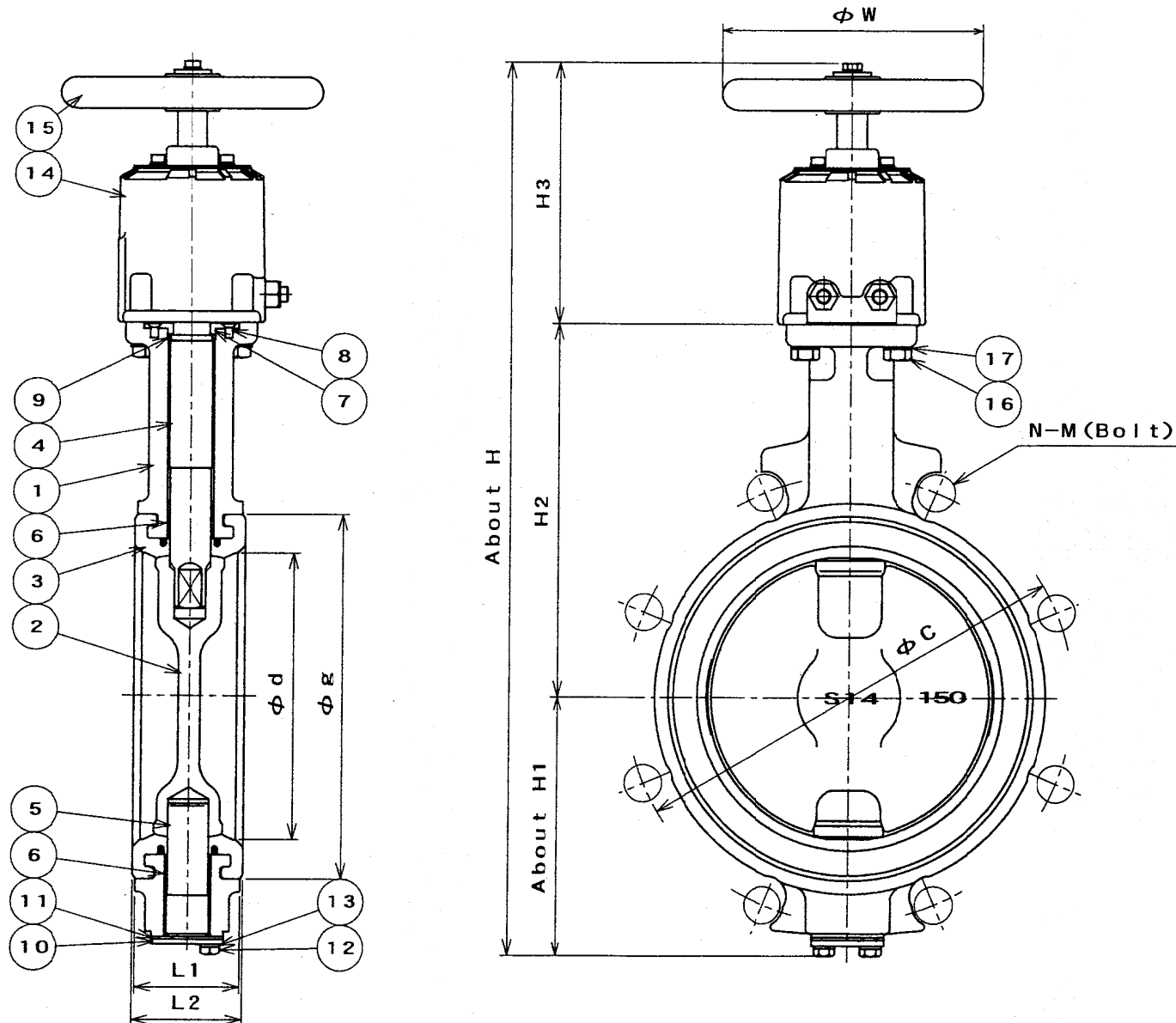
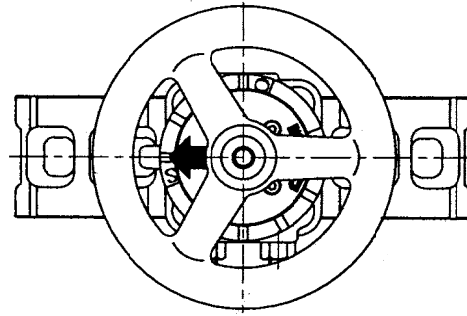
| | | |
|---------------------|-----------------|------------------------|
| 図面番号 DRAWING NO. | 612X GC 0113 EB | FLOP. No. Hd-Ian975 |
|---------------------|-----------------|------------------------|

(技様-0546-△)

| SIZE | d | L1 | L2 | g | H | H1 | H2 | H3 | W | GEAR SIZE | MASS (About) |
|------|-----|----|----|-----|-----|-----|-----|-----|-----|-----------|--------------|
| 125A | 130 | 56 | 59 | 167 | 452 | 123 | 187 | 142 | 140 | 8K | 10.1Kg |
| 150A | 154 | 56 | 59 | 196 | 482 | 138 | 202 | 142 | 140 | 8K | 11.9Kg |

| SIZE | JIS5K | | | JIS10K | | | ASME125Lb/150Lb | | |
|------|-------|---|-----|--------|---|-----|-----------------|---|-----------|
| | C | N | M | C | N | M | C | N | M |
| 125A | 200 | 8 | M16 | 210 | 8 | M20 | 215.9 | 8 | 3/4 10UNC |
| 150A | 230 | 8 | M16 | 240 | 8 | M20 | 241.3 | 8 | 3/4 10UNC |

△



| Table 1 | Table 2 |
|---------|---------|
| SCS14 | NBR *1 |
| CAC701 | EPDM*2 |

製番
MFG. NO.

名称及形式
NAME AND TYPE
MODEL 612X (125A, 150A)
BUTTERFLY VALVES WITH
TOP HANDLE OPERATOR
Type C

| 番号 NO. | 部品名称 PARTS NAME | 材質 MATERIAL | 数量 Q. ty | 備考 REMARKS |
|-----------|--------------------|----------------|-------------|---------------|
| 1 | BODY | FCD450 | 1 | |
| 2 | DISC | See Table 1 | 1 | |
| 3 | SEAT RING | See Table 2 | 1 | |
| 4 | UPPER STEM | SUS420J2 | 1 | |
| 5 | LOWER STEM | SUS420J2 | 1 | |
| 6 | BUSH | PLASTIC | 1set | |
| 7 | NECK BUSH | PLASTIC | 1 | |
| 8 | SCREW | SUS304 | 4 | |
| 9 | O-RING | NBR | 1 | |
| 10 | COVER | SPCC | 1 | PLATED |
| 11 | GASKET | NBR | 1 | |
| 12 | COVER BOLT | SUS304 | 2 | |
| 13 | SPRING WASHER | SUS304 | 2 | |
| 14 | GEAR | FCD450 | 1 | |
| 15 | HAND WHEEL | FC250 | 1 | |
| 16 | BOLT | SWRCH | 4 | PLATED |
| 17 | SPRING WASHER | SWRH | 4 | PLATED |
| 18 | | | | |
| 19 | | | | |
| 20 | | | | |
| 21 | | | | |
| 22 | | | | |
| 23 | | | | |
| 24 | | | | |
| 25 | | | | |

| | | | |
|--------------------------|-----------------------|-----------------------|---------------------------|
| 日付 DATE | FEB. 15, 2002 | 尺度 SCALE | FREE |
| 使用圧力 WORKING PRESSURE | Max 0.5/1.0 MPa Pe | 使用温度 WORKING TEMP. | *1:-10~70℃ *2:-20~120℃ |
| 耐压試験 SHELL TEST | 1.5 MPa Pe | 試験流体 TEST FLUID | WATER |
| 弁座試験 SEAT TEST | 0.55/1.1 MPa Pe | 許容漏れ LEAKAGE | 0 % |

| | | |
|-------------|---------------|----------------|
| 作成 DRAWN | 検討 CHECKED | 承認 APPROVED |
| S.Y | | |

OKM 株式会社 オーケーエム
OKUMURA ENGINEERING corp.

△ JUL. 06, 2009
△ JUL. 03, 2003

| | | | |
|---------------------|-----------------|-----------|--|
| 図面番号 DRAWING NO. | 612X GC 0114 EB | FLOP. No. | |
| | | Hd-Ian975 | |

(仕様-0546-△)

| SIZE | d | L1 | L2 | g | H | H1 | H2 | H3 | W | GEAR SIZE | MASS (About) |
|------|-----|----|----|-----|-----|-----|-----|-----|-----|-----------|--------------|
| 200A | 200 | 60 | 63 | 242 | 576 | 168 | 230 | 178 | 200 | 63K | 21.8Kg |

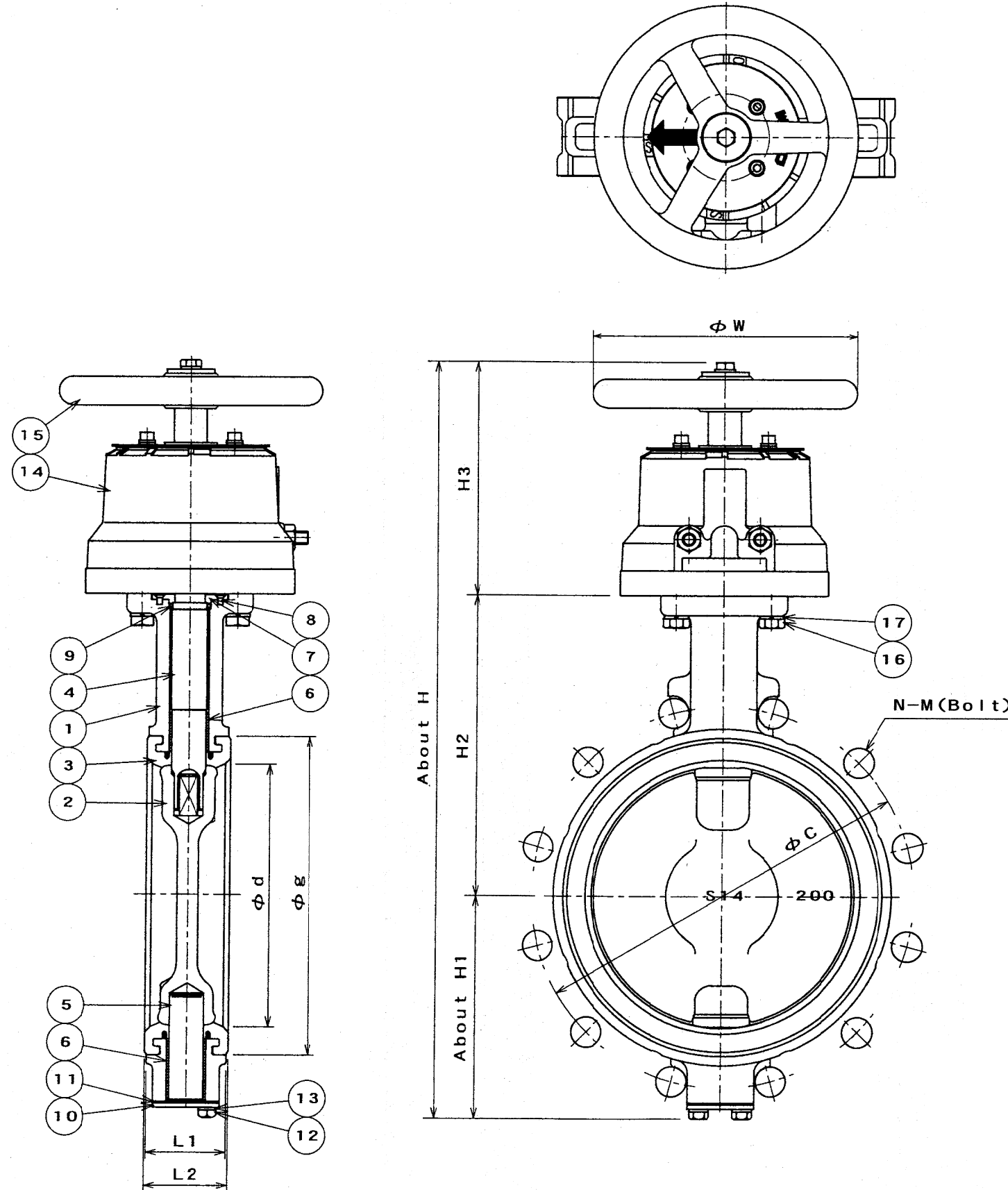
| SIZE | JIS5K | | | JIS10K | | | ASME125Lb/150Lb | | |
|------|-------|---|-----|--------|----|-----|-----------------|---|-----------|
| | C | N | M | C | N | M | C | N | M |
| 200A | 280 | 8 | M20 | 290 | 12 | M20 | 298.5 | 8 | 3/4 10UNC |

| Table 1 | Table 2 |
|---------|---------|
| SCS14 | NBR *1 |
| CAC701 | EPDM*2 |

製 番
MFG. NO.

名称及形式
NAME AND TYPE
MODEL 612X (200A)
BUTTERFLY VALVE WITH TOP HANDLE OPERATOR
Type C

| 番号 NO. | 部 品 名 称 PARTS NAME | 材 質 MATERIAL | 数量 Q. ty | 備 考 REMARKS |
|-----------|-----------------------|---------------------|-------------|----------------|
| 1 | BODY | FCD450 | 1 | |
| 2 | DISC | See Table 1 | 1 | |
| 3 | SEAT RING | See Table 2 | 1 | |
| 4 | UPPER STEM | SUS420J2 | 1 | |
| 5 | LOWER STEM | SUS420J2 | 1 | |
| 6 | BUSH | PLASTIC | 1set | |
| 7 | NECK BUSH | PLASTIC | 1 | |
| 8 | SCREW | SUS304 [△] | 4 | |
| 9 | O-RING | NBR | 1 | |
| 10 | COVER | SPCC | 1 | PLATED |
| 11 | GASKET | NBR | 1 | |
| 12 | COVER BOLT | SUS304 [△] | 2 | |
| 13 | SPRING WASHER | SUS304 [△] | 2 | |
| 14 | GEAR | FCD450 | 1 | |
| 15 | HAND WHEEL | FC250 | 1 | |
| 16 | BOLT | SWRCH | 4 | PLATED |
| 17 | SPRING WASHER | SWRH | 4 | PLATED |
| 18 | | | | |
| 19 | | | | |
| 20 | | | | |
| 21 | | | | |
| 22 | | | | |
| 23 | | | | |
| 24 | | | | |
| 25 | | | | |



日付 DATE Feb. 15, 2002 尺 度 SCALE FREE

使用压力 WORKING PRESSURE Max 0.5/1.0 MPa_{Pe} 使用温度 WORKING TEMP. *1: -10~70℃ *2: -20~120℃[△]

耐压试验 SHELL TEST 1.5 MPa_{Pe} 试验流体 TEST FLUID WATER

并座试验 SEAT TEST 0.55/1.1 MPa_{Pe} 许容漏孔 LEAKAGE 0%

作成 DRAWN S.Y. 检讨 CHECKED 承認 APPROVED

OKM 株式会社オーケーエム OKUMURA ENGINEERING corp.

△ JUL. 06, 2009
△ Sep. 16, 2003

図面番号 DRAWING NO. 612X GC 0115 EB FLOP. No. Hd-lan975

| SIZE | d | L1 | L2 | g | H | H1 | H2 | H3 | W | GEAR SIZE | MASS (About) |
|------|-----|----|----|-----|-----|-----|-----|-----|-----|-----------|--------------|
| 250A | 246 | 68 | 71 | 300 | 681 | 223 | 280 | 178 | 200 | 63K | 30.4Kg |
| 300A | 295 | 78 | 81 | 346 | 748 | 260 | 310 | 178 | 200 | 63K | 44.4Kg |

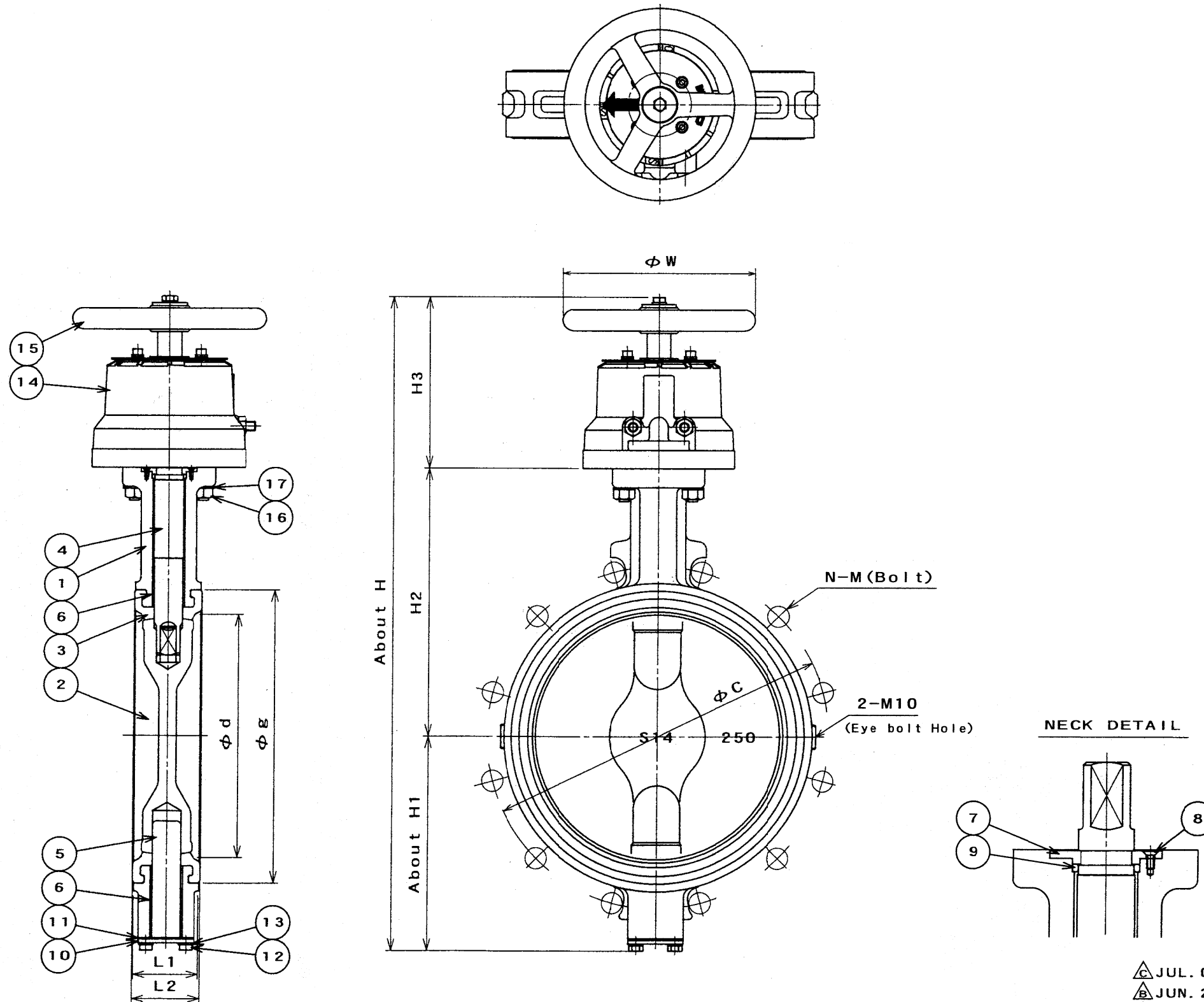
| SIZE | JIS5K | | | JIS10K | | | ASME125Lb/150Lb | | |
|------|-------|----|-----|--------|----|-----|-----------------|----|----------|
| | C | N | M | C | N | M | C | N | M |
| 250A | 345 | 12 | M20 | 355 | 12 | M22 | 362.0 | 12 | 7/8 9UNC |
| 300A | 390 | 12 | M20 | 400 | 16 | M22 | 431.8 | 12 | 7/8 9UNC |

| Table 1 | Table 2 |
|---------|---------|
| SCS14 | NBR *1 |
| CAC701 | EPDM*2 |

製番
MFG. NO.

名称及形式 MODEL 612X (250A, 300A)
NAME AND TYPE BUTTERFLY VALVES WITH
Type C TOP HANDLE OPERATOR

| 番号 NO. | 部品名称 PARTS NAME | 材質 MATERIAL | 数量 Q. ty | 備考 REMARKS |
|-----------|--------------------|----------------|-------------|---------------|
| 1 | BODY | FCD450 | 1 | |
| 2 | DISC | See Table 1 | 1 | |
| 3 | SEAT RING | See Table 2 | 1 | |
| 4 | UPPER STEM | SUS420J2 | 1 | |
| 5 | LOWER STEM | SUS420J2 | 1 | |
| 6 | BUSH | PLASTIC | 1set | |
| 7 | NECK BUSH | PLASTIC | 1 | |
| 8 | SCREW | SUS304 | 4 | △ |
| 9 | O-RING | NBR | 1 | |
| 10 | COVER | SS400 | 1 | PLATED |
| 11 | GASKET | NBR | 1 | |
| 12 | COVER BOLT | SUS304 | 4 | △ |
| 13 | SPRING WASHER | SUS304 | 4 | △ |
| 14 | GEAR | FCD450 | 1 | |
| 15 | HAND WHEEL | FC250 | 1 | |
| 16 | STUD BOLT, NUT | SGD SWRCH | 4 | PLATED |
| 17 | SPRING WASHER | SWRH | 4 | PLATED |
| 18 | | | | |
| 19 | | | | |
| 20 | | | | |
| 21 | | | | |
| 22 | | | | |
| 23 | | | | |
| 24 | | | | |
| 25 | | | | |



△ JUL. 06, 2009
△ JUN. 25, 2003
△ DEC. 14, 2002

| | | | |
|--------------------------|-----------------------|--|-----------------------------|
| 日付 DATE | Feb. 15, 2002 | 尺度 SCALE | FREE |
| 使用压力 WORKING PRESSURE | Max 0.5/1.0 MPa Pe | 使用温度 WORKING TEMP. | *1: -10~70℃ *2: -20~120℃ |
| 耐压試験 SHELL TEST | 1.5 MPa Pe | 試験流体 TEST FLUID | WATER |
| 弁座試験 SEAT TEST | 0.55/1.1 MPa Pe | 許容漏れ LEAKAGE | 0 % |
| 作成 DRAWN | 検討 CHECKED | 承認 APPROVED | |
| S.Y | | 7.17 | |
| OKM | | 株式会社 オーケーエム OKUMURA ENGINEERING corp. | |
| 図面番号 DRAWING NO. | 612X GC 0116 EC | FLOP. No. | Hd-lan975 |