

SIZE	d	L1	L2	g	H	H1	H2	H3	A	LEVER SIZE	MASS (About)
40A	43	33	35.3	69	232	66	132	34	160	160L	2.4Kg
50A	55	43	46	81	243	69	140	34	160	160L	2.9Kg
65A	66	46	49	104	267	80	150	37	160	160L	3.8Kg
80A	84	46	49	115	281	89	155	37	200	200L	4.0Kg
100A	100	52	55	136	310	106	167	37	200	200L	4.9Kg
125A	130	56	59	167	357	123	187	47	260	260L	8.0Kg
150A	154	56	59	196	387	138	202	47	260	260L	9.8Kg

SIZE	JIS5K			JIS10K			ASME125Lb/150Lb		
	C	N	M	C	N	M	C	N	M
40A	95	4	M12	105	4	M16	98.4	4	1/2 13UNC
50A	105	4	M12	120	4	M16	120.7	4	5/8 11UNC
65A	130	4	M12	140	4	M16	139.7	4	5/8 11UNC
80A	145	4	M16	150	8	M16	152.4	4	5/8 11UNC
100A	165	8	M16	175	8	M16	190.5	8	5/8 11UNC
125A	200	8	M16	210	8	M20	215.9	8	3/4 10UNC
150A	230	8	M16	240	8	M20	241.3	8	3/4 10UNC

Table 1	Table 2
SCS14	NBR *1
CAC701*3	EPDM*2

*3 50A~

製番
MFG. NO.

名称及形式
NAME AND TYPE
MODEL 612X (40A~150A)
BUTTERFLY VALVES WITH
LEVER OPERATOR
Type C

番号 NO.	部品名称 PARTS NAME	材質 MATERIAL	数量 Q. ty	備考 REMARKS
1	BODY	FCD450	1	
2	DISC	See Table 1	1	
3	SEAT RING	See Table 2	1	
4	UPPER STEM	SUS420J2	1	
5	LOWER STEM	SUS420J2	1	
6	BUSH	PLASTIC	1set	
7	NECK BUSH	PLASTIC	1	
8	SCREW	SUS304	4	△
9	O-RING	NBR	1	
10	COVER	SPCC	1	PLATED
11	GASKET	NBR	1	
12	COVER BOLT	SUS304	2	△
13	SPRING WASHER	SUS304	2	△
14	LEVER	FCMB	1	
15	INDICATOR	SS400	1	PLATED
16	BOLT NUT	SWRCH	2	PLATED
17	SPRING WASHER	SWRH	2	PLATED
18	NAME PLATE	A1070P	1	
19	BOLT	SWRCH	1	PLATED
20	SPRING WASHER	SWRH	1	PLATED
21				
22				
23				
24				
25				

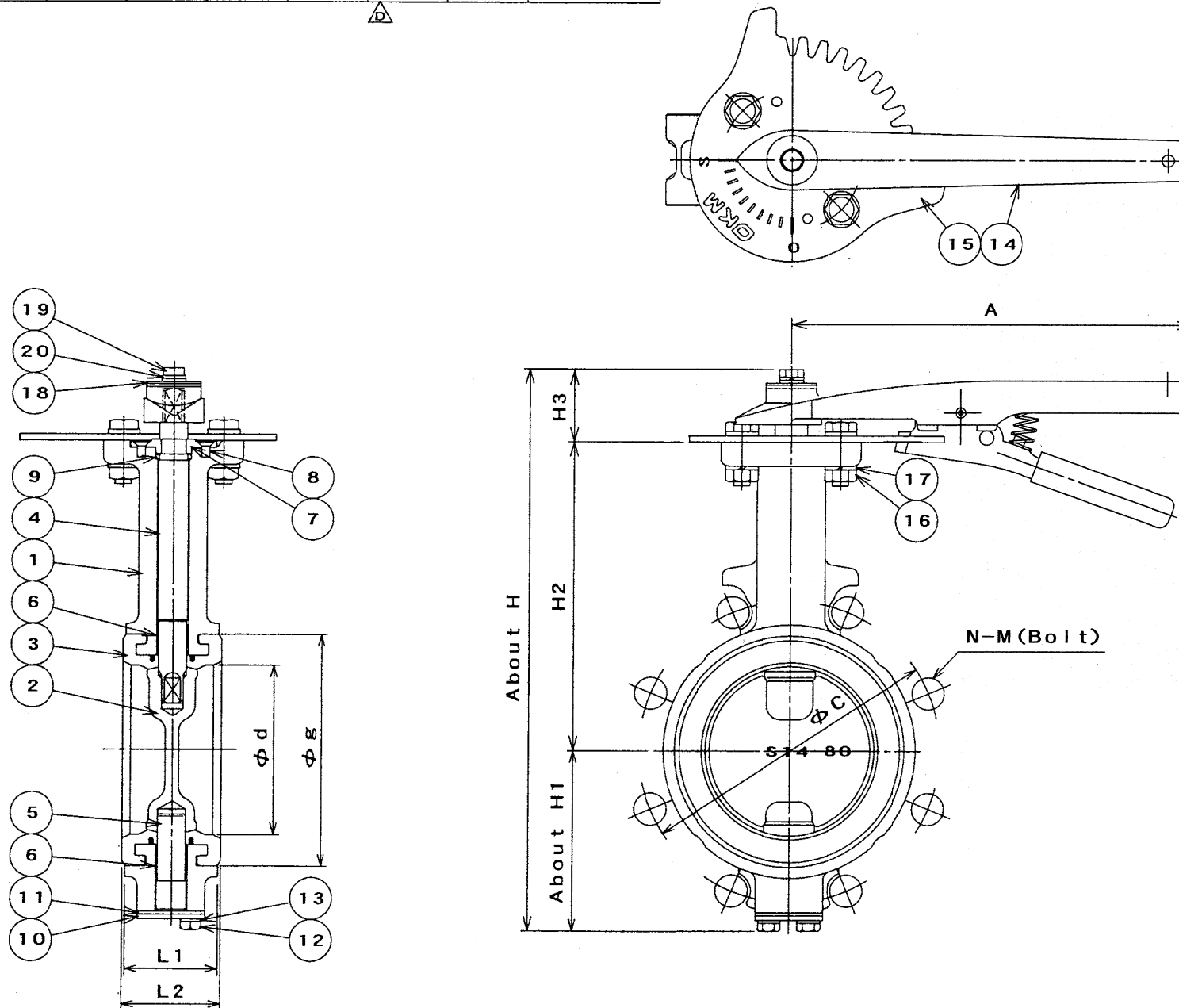
日付 DATE	Dec. 14. 2001	尺度 SCALE	FREE
使用圧力 WORKING PRESSURE	Max 0.5/1.0 MPa Pe	使用温度*1 WORKING TEMP. *1	-10~70℃
耐圧試験 SHELL TEST	1.5 MPa Pe	試験流体 TEST FLUID	WATER
弁座試験 SEAT TEST	0.55/1.1 MPa Pe	許容漏れ LEAKAGE	0%

作成 DRAWN	検討 CHECKED	承認 APPROVED
S.Y	7.11	[Signature]

OKM 株式会社オーケーエム
OKUMURA ENGINEERING corp.

図面番号 DRAWING NO.	612X LA 0004 ED	FLOP. No. Hd-1an975
---------------------	-----------------	------------------------

△SEP. 30, 2009
△JUL. 03, 2009
△FEB. 17, 2006
△JUN. 11, 2003



SIZE	d	L1	L2	g	H	H1	H2	H3	A	LEVER SIZE	MASS (About)
200A	200	60	63	242	456	168	230	58	360	360L	15Kg

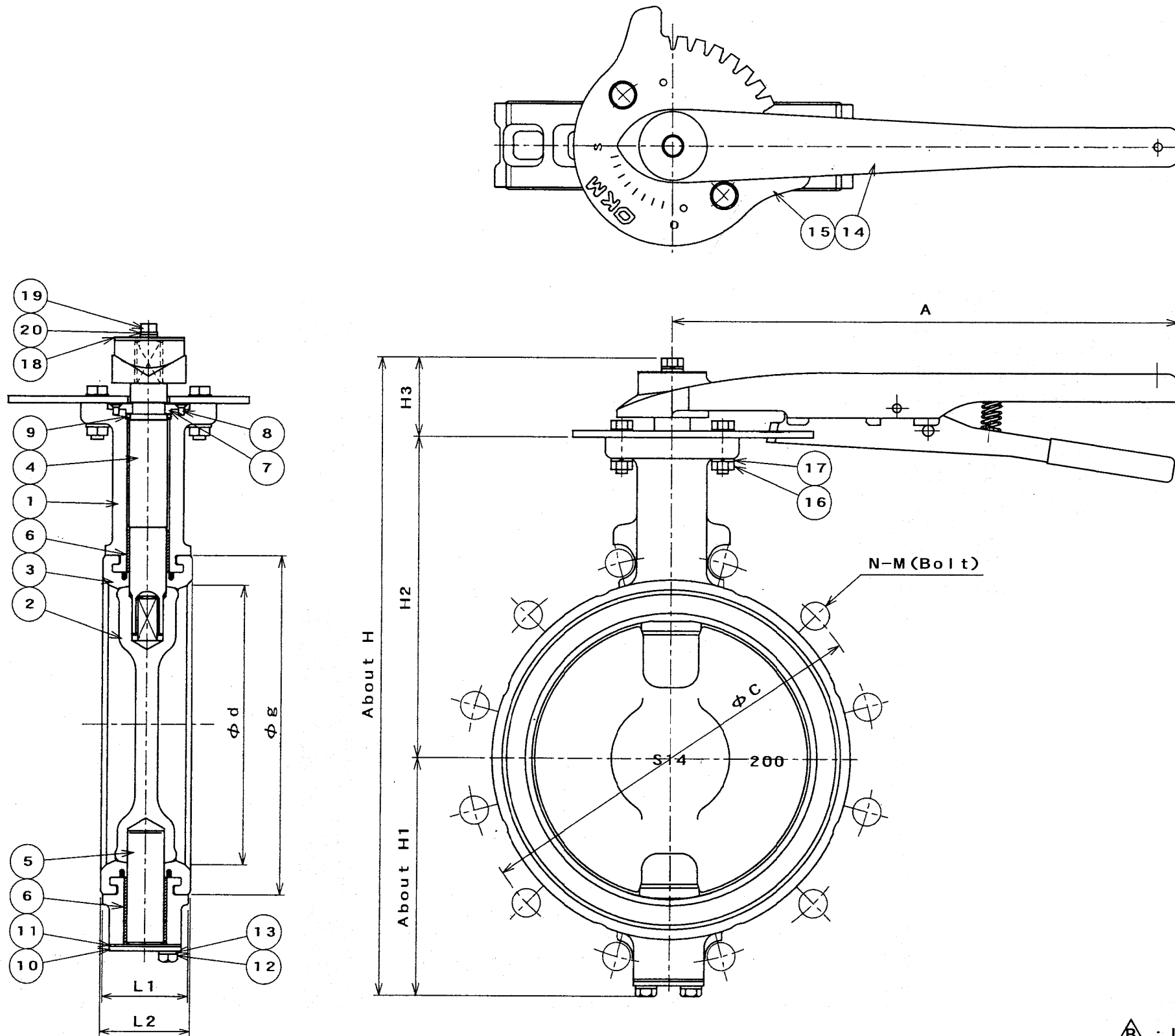
SIZE	JIS5K			JIS10K			ASME125Lb/150Lb		
	C	N	M	C	N	M	C	N	M
200A	280	8	M20	290	12	M20	298.5	8	3/4 10UNC

Table 1	Table 2
SCS14	NBR *1
CAC701	EPDM*2

製番
MFG. NO.

名称及形式
NAME AND TYPE
MODEL 612X (200A)
BUTTERFLY VALVE WITH
LEVER OPERATOR
Type C

番号 NO.	部品名称 PARTS NAME	材質 MATERIAL	数量 Q. ty	備考 REMARKS
1	BODY	FCD450	1	
2	DISC	See Table 1	1	
3	SEAT RING	See Table 2	1	
4	UPPER STEM	SUS420J2	1	
5	LOWER STEM	SUS420J2	1	
6	BUSH	PLASTIC	1set	
7	NECK BUSH	PLASTIC	1	
8	SCREW	SUS304	4	△
9	O-RING	NBR	1	
10	COVER	SPCC	1	PLATED
11	GASKET	NBR	1	
12	COVER BOLT	SUS304	2	△
13	SPRING WASHER	SUS304	2	△
14	LEVER	FCMB	1	
15	INDICATOR	SS400	1	PLATED
16	BOLT NUT	SWRCH	2	PLATED
17	SPRING WASHER	SWRH	2	PLATED
18	NAME PLATE	A1070P	1	
19	BOLT	SWRCH	1	PLATED
20	SPRING WASHER	SWRH	1	PLATED
21				
22				
23				
24				
25				



△ : JUL. 03, 2009
△ : Jul. 04, 2003

日付 DATE	Dec. 14. 2001	尺度 SCALE	FREE
使用圧力 WORKING PRESSURE	Max 0.5 MPa Pe	使用温度#1: WORKING TEMP. #1:	-10~70℃
耐圧試験 SHELL TEST	1.5 MPa Pe	試験流体 TEST FLUID	WATER
弁座試験 SEAT TEST	0.55 MPa Pe	許容漏れ LEAKAGE	0%

作成 DRAWN	検討 CHECKED	承認 APPROVED
S.Y.	J.119	[Signature]

OKM 株式会社オーケーエム
OKUMURA ENGINEERING corp.

図面番号 DRAWING NO.	612X LA 0005 EB	FLOP. No. Hd-1an975
---------------------	-----------------	------------------------