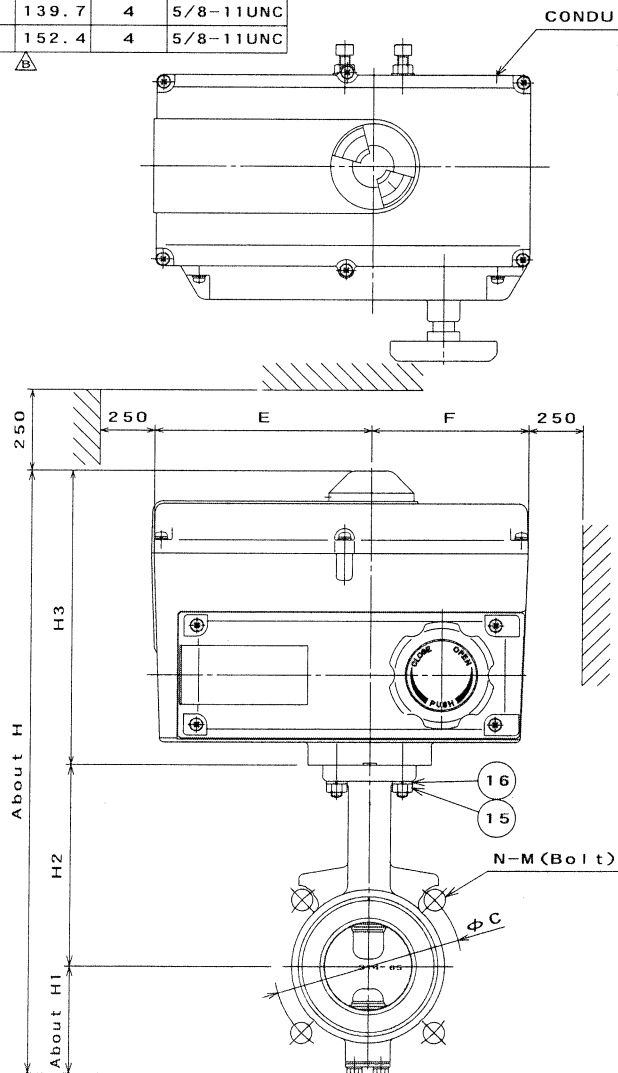
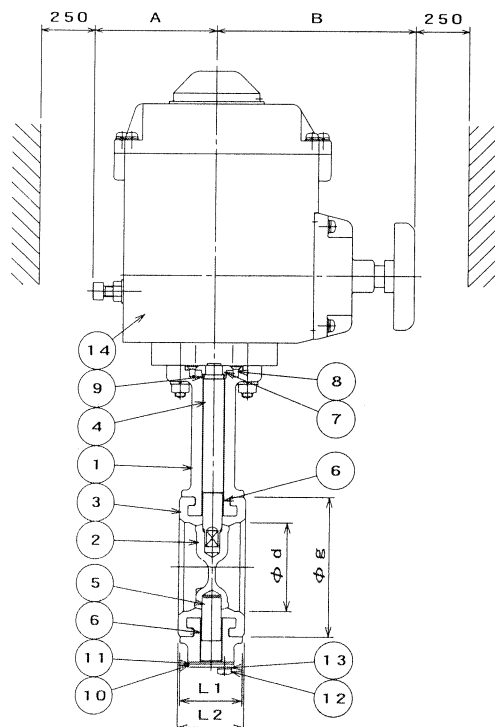


SIZE	d	L1	L2	g	H	H1	H2	H3	A	B	E	F	ACTUATOR SIZE	MASS (About)
40A	43	33	35.3	69	418	66	132	220	91	145	160	117	CRV-10A	12.7Kg
50A	55	43	46	81	429	69	140	220	91	145	160	117	CRV-10A	13.2Kg
65A	66	46	49	104	450	80	150	220	91	145	160	117	CRV-10A	14.1Kg
80A	84	46	49	115	464	89	155	220	91	145	160	117	CRV-10A	14.2Kg

SIZE	JIS5K			JIS10K			ASME125Lb/150Lb		
	C	N	M	C	N	M	C	N	M
40A	95	4	M12	105	4	M16	98.4	4	1/2-13UNC
50A	105	4	M12	120	4	M16	120.7	4	5/8-11UNC
65A	130	4	M12	140	4	M16	139.7	4	5/8-11UNC
80A	145	4	M16	150	8	M16	152.4	4	5/8-11UNC

Table 1	Table 2	INSTALLATION
SCS14	NBR #1	INSTALLATION A
CAC701*3	EPDM*2	INSTALLATION B

*3 50A~



INSTALLATION OF A

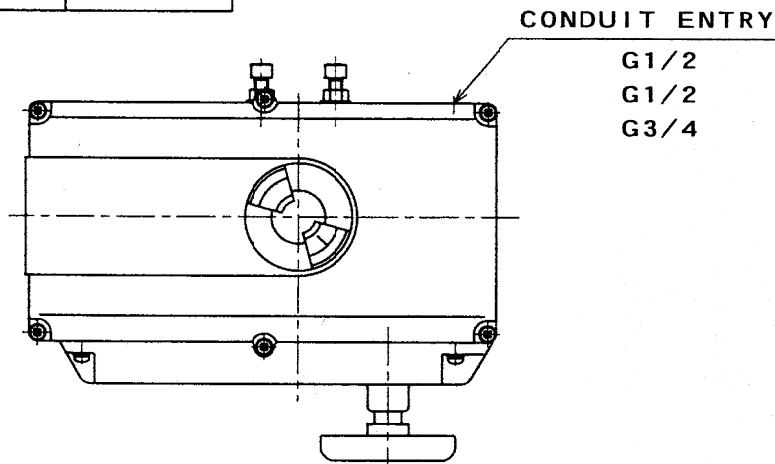
INSTALLATION OF B
STANDARD

製 番 MFG. NO.				
名称及形式 NAME AND TYPE	MODEL 612X (40A~80A) Type C BUTTERFLY VALVES WITH ELECTRIC ACTUATOR			
番号 NO.	部品名称 PARTS NAME	材質 MATERIAL	数量 Q. ty	備 考 REMARKS
1	BODY	FCD450	1	
2	DISC	See Table 1	1	
3	SEAT RING	See Table 2	1	
4	UPPER STEM	SUS420J2	1	
5	LOWER STEM	SUS420J2	1	
6	BUSH	PLASTIC	1set	
7	NECK BUSH	PLASTIC	1	
8	SCREW	SUS304	4	
9	O-RING	NBR	1	
10	COVER	SPCC	1	PLATED
11	GASKET	NBR	1	
12	COVER BOLT	SUS304	2	
13	SPRING WASHER	SUS304	2	
14	ACTUATOR		1	
15	STUD BOLT, NUT	SUS304	4	
16	SPRING WASHER	SUS304	4	
17				
18				
19				
20				
21				
22				
23				
24				
25				
日付 DATE	OCT. 17, 2002	尺 度 SCALE	FREE	
使用 圧 力 WORKING PRESSURE	Max 0.5/1.0 MPa Pg	使用 温 度 #1 WORKING TEMP. #1	-10~70℃	
耐 圧 試 験 SHELL TEST	1.5 MPa Pg	試 験 流 体 TEST FLUID	WATER	
弁 座 試 験 SEAT TEST	0.55/1.1 MPa Pg	許 容 漏 れ LEAKAGE	0 %	
作 成 DRAWN	検 討 CHECKED	承 認 APPROVED		
S.Y		7-11		7-4
OKM		株式会社 オークエム OKUMURA ENGINEERING corp.		
図 面 番 号 DRAWING NO.	612X MC 0272 EB		FLOP. No. Hd-1an975	
AUG. 04, 2009 Sep. 16, 2003				

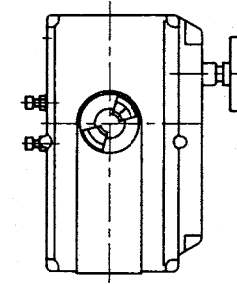
SIZE	d	L1	L2	g	H	H1	H2	H3	A	B	E	F	ACTUATOR SIZE	MASS (About)
100A	100	52	55	136	493	106	167	220	91	145	160	117	CRV-10A	15.1Kg
125A	130	56	59	167	530	123	187	220	91	145	160	117	CRV-10A	17.8Kg
150A	154	56	59	196	560	138	202	220	91	145	160	117	CRV-20A	19.6Kg

SIZE	JIS5K			JIS10K			ASME125Lb/150Lb		
	C	N	M	C	N	M	C	N	M
100A	165	8	M16	175	8	M16	190.5	8	5/8-11UNC
125A	200	8	M16	210	8	M20	215.9	8	3/4-10UNC
150A	230	8	M16	240	8	M20	241.3	8	3/4-10UNC

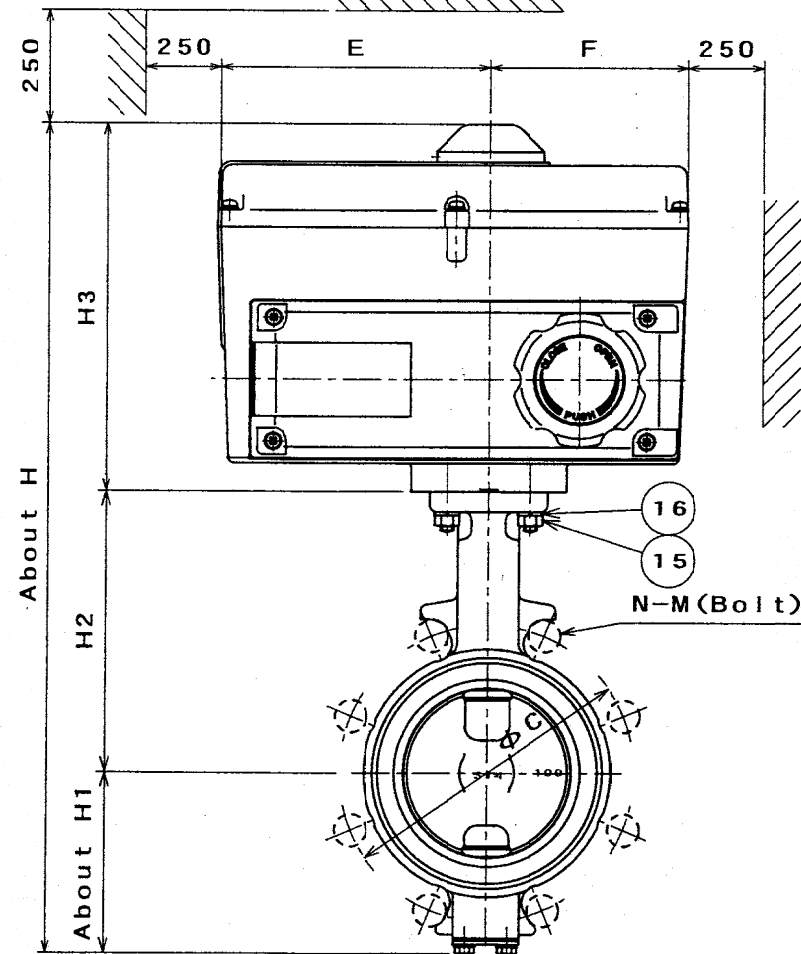
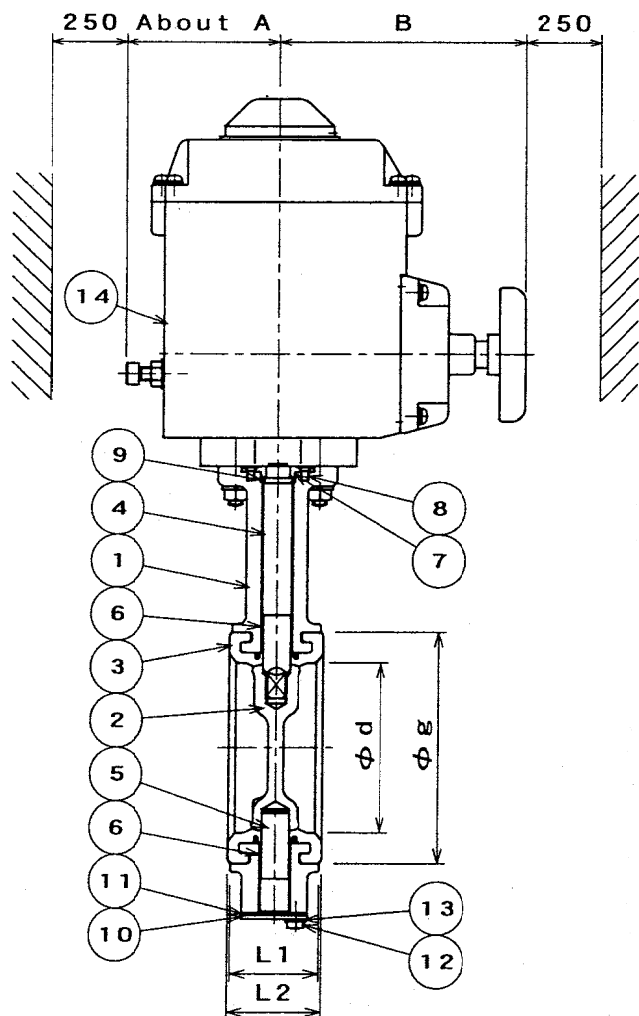
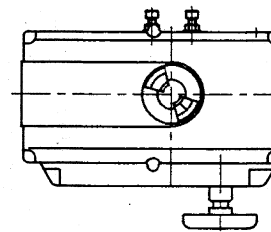
Table 1	Table 2	INSTALLATION
SCS14	NBR *1	INSTALLATION A
CAC701	EPDM*2	INSTALLATION B



INSTALLATION OF A



INSTALLATION OF B STANDARD



製番 MFG. NO.		名称及形式 NAME AND TYPE		
		MODEL 612X (100A~150A)		
		BUTTERFLY VALVES WITH ELECTRIC ACTUATOR		
		Type C		
番号 NO.	部品名称 PARTS NAME	材質 MATERIAL	数量 Q. ty	備考 REMARKS
1	BODY	FCD450	1	
2	DISC	See Table 1	1	
3	SEAT RING	See Table 2	1	
4	UPPER STEM	SUS420J2	1	
5	LOWER STEM	SUS420J2	1	
6	BUSH	PLASTIC	1set	
7	NECK BUSH	PLASTIC	1	
8	SCREW	SUS304	4	
9	O-RING	NBR	1	
10	COVER	SPCC	1	PLATED
11	GASKET	NBR	1	
12	COVER BOLT	SUS304	2	
13	SPRING WASHER	SUS304	2	
14	ACTUATOR		1	
15	STUD BOLT, NUT	SUS304	4	
16	SPRING WASHER	SUS304	4	
17				
18				
19				
20				
21				
22				
23				
24				
25				

日付 DATE	Dec. 14. 2001	尺度 SCALE	FREE
使用压力 WORKING PRESSURE	Max 0.5/1.0 MPa Pe	使用温度*1 WORKING TEMP. #1	-10~70℃
耐压試験 SHELL TEST	1.5 MPa Pe	使用温度*2 WORKING TEMP. #2	-20~120℃
井座試験 SEAT TEST	0.55/1.1 MPa Pe	試験流体 TEST FLUID	WATER
		許容漏れ LEAKAGE	0%

作成 DRAWN	検討 CHECKED	承認 APPROVED
S.Y		

OKM 株式会社 オーケーエム
OKUMURA ENGINEERING corp.

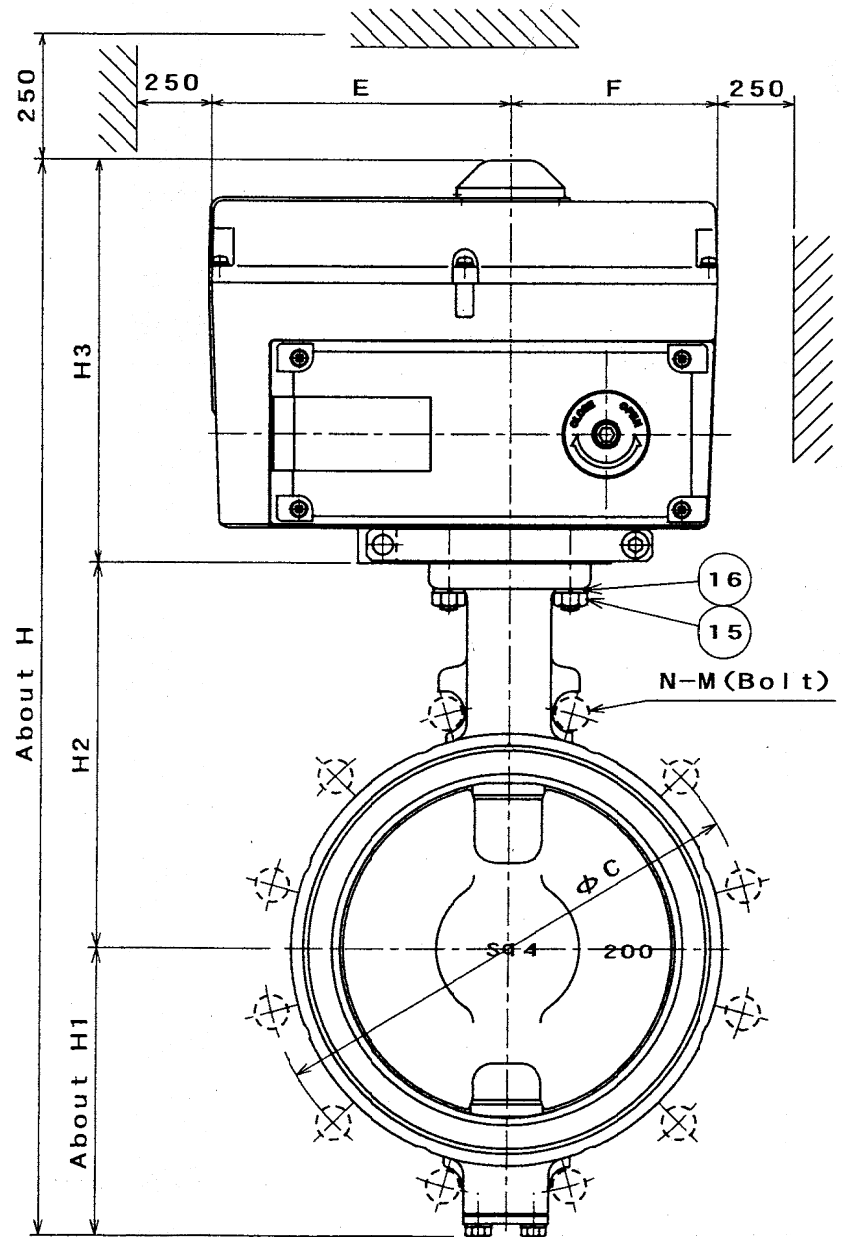
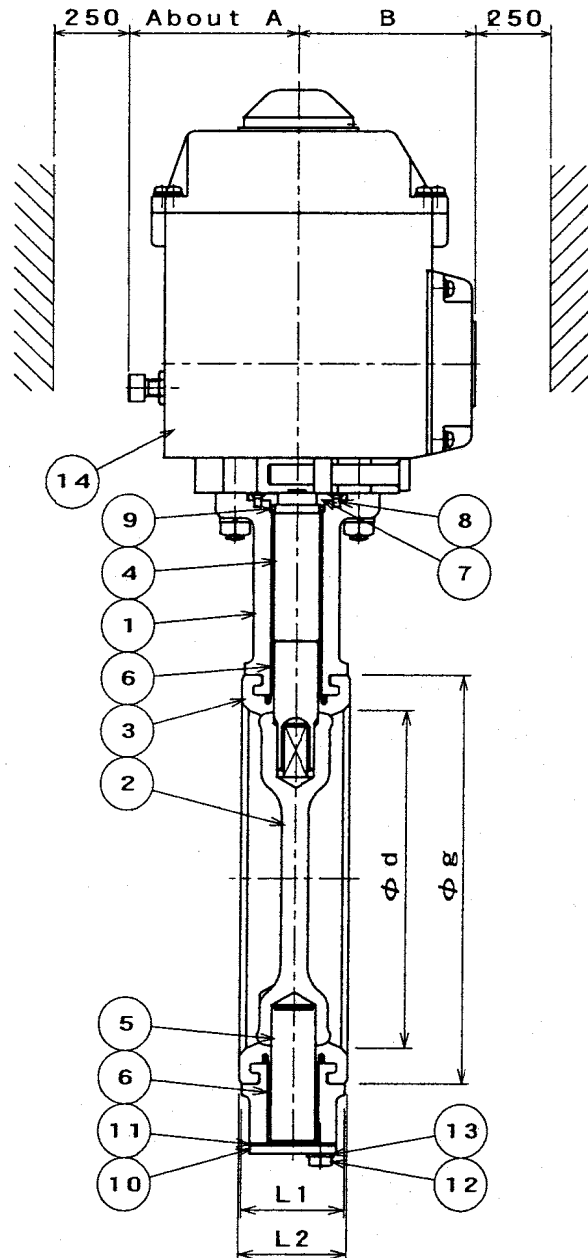
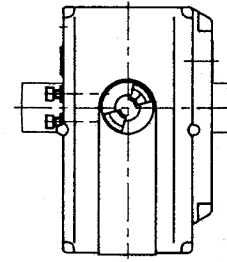
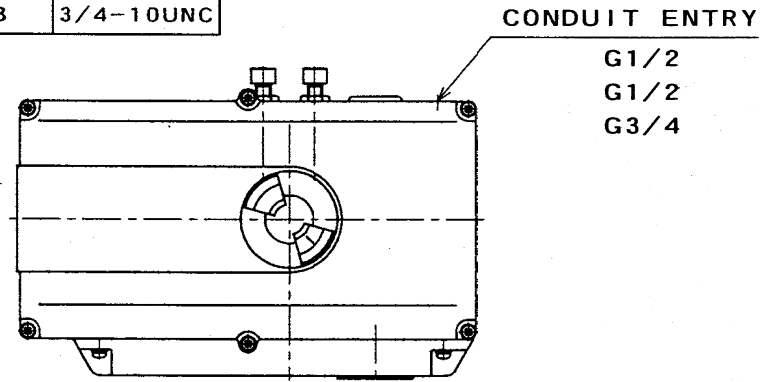
図面番号 DRAWING NO.	612X MC 0015 EE	FLOP. No. Hd-1an975
---------------------	-----------------	------------------------

- ▲ JUL. 03. 2009
- ▲ Sep. 16. 2003
- ▲ Jul. 30. 2003
- ▲ Oct. 17. 2002
- ▲ May. 10. 2002

SIZE	d	L1	L2	g	H	H1	H2	H3	A	B	E	F	ACTUATOR SIZE	MASS (About)
200A	200	60	63	242	639	168	230	241	100	105	177	124	CRV-40A	26.4Kg

SIZE	JIS5K			JIS10K			ASME125Lb/150Lb		
	C	N	M	C	N	M	C	N	M
200A	280	8	M20	290	12	M20	298.5	8	3/4-10UNC

Table 1	Table 2	INSTALLATION
SCS14	NBR *1	INSTALLATION A
CAC701	EPDM*2	INSTALLATION B



製番 MFG. NO.

名称及形式 MODEL 612X (200A)
NAME AND TYPE BUTTERFLY VALVE WITH ELECTRIC ACTUATOR
Type C

番号 NO.	部品名称 PARTS NAME	材質 MATERIAL	数量 Q. ty	備考 REMARKS
1	BODY	FCD450	1	
2	DISC	See Table 1	1	
3	SEAT RING	See Table 2	1	
4	UPPER STEM	SUS420J2	1	
5	LOWER STEM	SUS420J2	1	
6	BUSH	PLASTIC	1set	
7	NECK BUSH	PLASTIC	1	
8	SCREW	SUS304	4	△
9	O-RING	NBR	1	
10	COVER	SPCC	1	PLATED
11	GASKET	NBR	1	
12	COVER BOLT	SUS304	2	△
13	SPRING WASHER	SUS304	2	△
14	ACTUATOR		1	
15	STUD BOLT, NUT	SUS304	4	△
16	SPRING WASHER	SUS304	4	△
17				
18				
19				
20				
21				
22				
23				
24				
25				

日付 DATE	Dec. 14. 2001	尺度 SCALE	FREE
使用压力 WORKING PRESSURE	Max 0.5/1.0 MPa Pe	使用温度 #1: -10~70℃ WORKING TEMP. #2: -20~120	
耐压试验 SHELL TEST	1.5 MPa Pe	试验流体 TEST FLUID	WATER
弁座试验 SEAT TEST	0.55/1.1 MPa Pe	许容漏れ LEAKAGE	0 %

作成 DRAWN	検時 CHECKED	承認 APPROVED
S.Y	7/11	[Signature]

OKM 株式会社 オーケーエム OKUMURA ENGINEERING corp.

△ JUL. 03, 2009
△ Sep. 16, 2003
△ Jul. 07, 2003
△ May. 10, 2002

図面番号 DRAWING NO.	612X MC 0016 ED	FLOP. No.	Hd-lan975
------------------	-----------------	-----------	-----------

SIZE	d	L1	L2	g	H	H1	H2	H3	A	B	E	F	ACTUATOR SIZE	MASS (About)
250A	246	68	71	300	744	223	280	241	100	105	177	124	CRV-60A	35Kg
300A	295	78	81	346	811	260	310	241	100	105	177	124	CRV-60A	49Kg

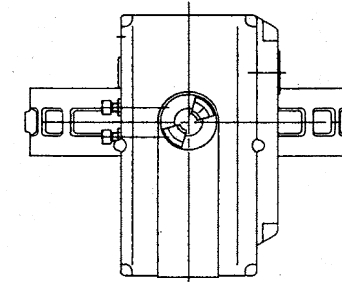
SIZE	JIS5K			JIS10K			ASME125Lb/150Lb		
	C	N	M	C	N	M	C	N	M
250A	345	12	M20	355	12	M22	362.0	12	7/8-9UNC
300A	390	12	M20	400	16	M22	431.8	12	7/8-9UNC

Table 1	Table 2	INSTALLATION
SCS14	NBR #1	INSTALLATION A
CAC701	EPDM#2	INSTALLATION B

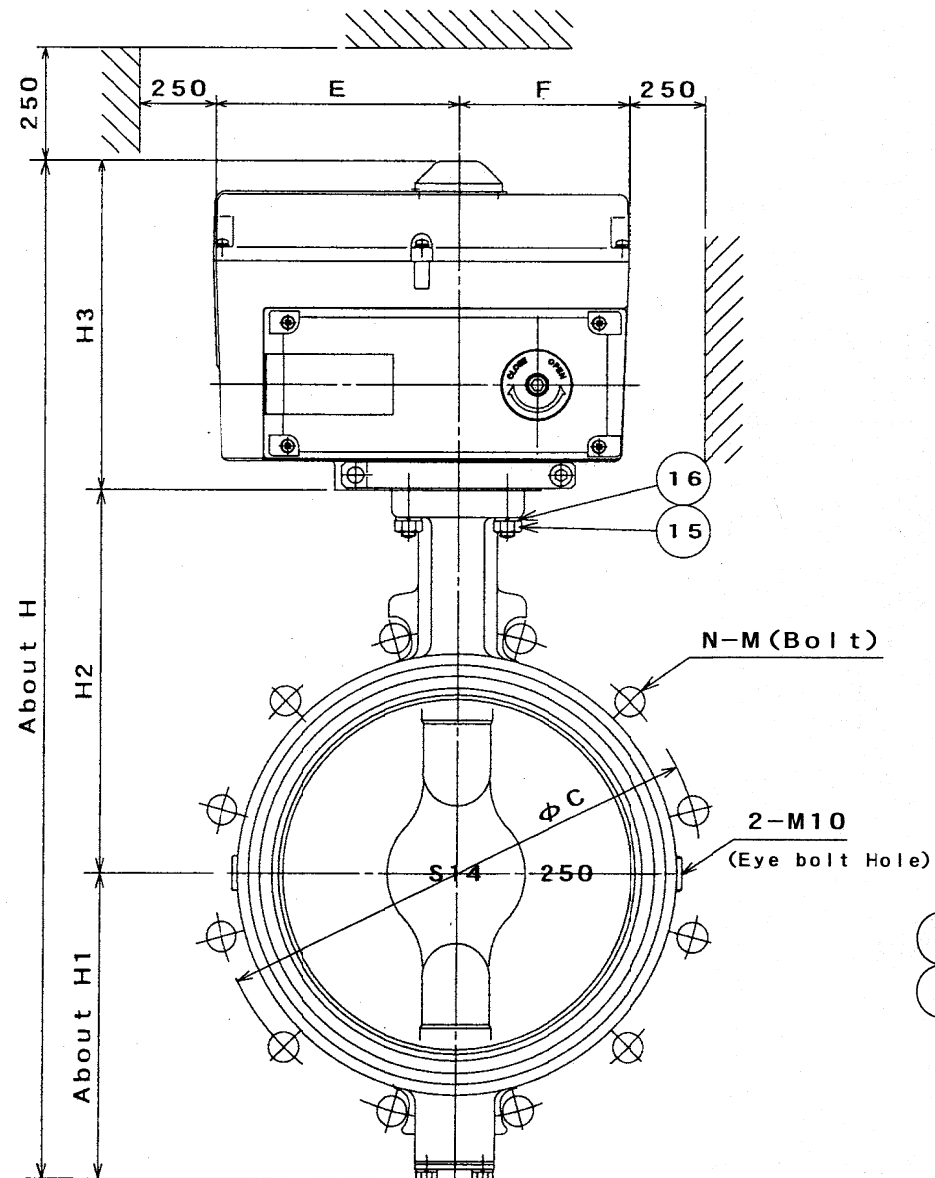
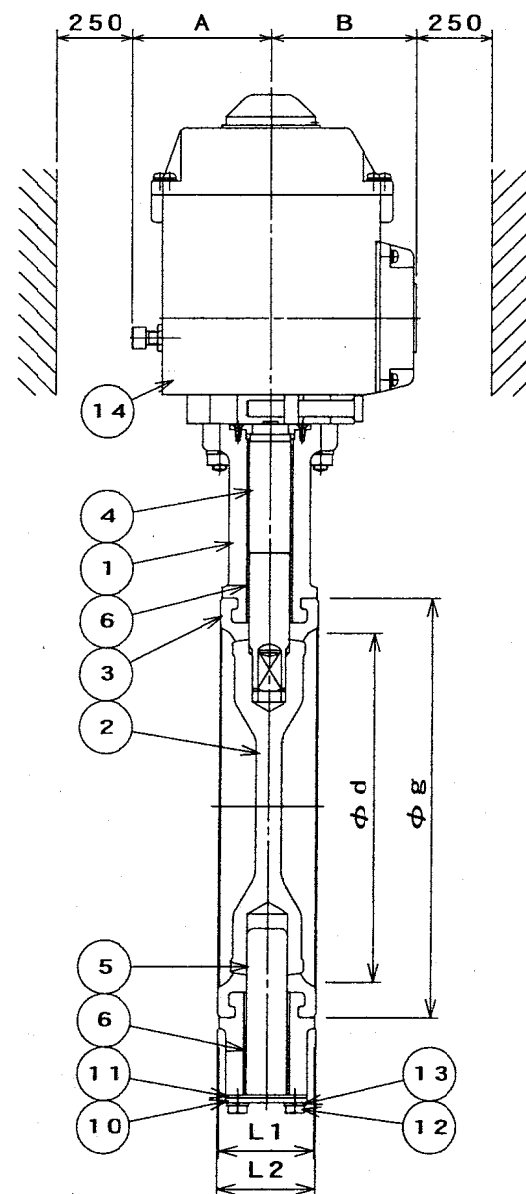
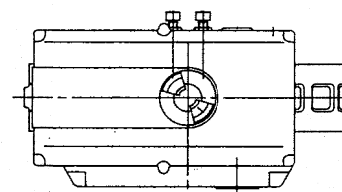
CONDUIT ENTRY

G1/2
G1/2
G3/4

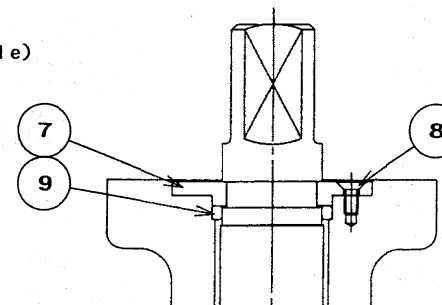
INSTALLATION OF A



INSTALLATION OF B
STANDARD



NECK DETAIL



製番
MFG. NO.

名称及形式 MODEL 612X (250A, 300A)
NAME AND TYPE BUTTERFLY VALVES WITH
ELECTRIC ACTUATOR
Type C

番号 NO.	部品名称 PARTS NAME	材質 MATERIAL	数量 Q. ty	備考 REMARKS
1	BODY	FCD450	1	
2	DISC	See Table 1	1	
3	SEAT RING	See Table 2	1	
4	UPPER STEM	SUS420J2	1	
5	LOWER STEM	SUS420J2	1	
6	BUSH	PLASTIC	1set	
7	NECK BUSH	PLASTIC	1	
8	SCREW	SUS304	4	△
9	O-RING	NBR	1	
10	COVER	SS400	1	PLATED
11	GASKET	NBR	1	
12	COVER BOLT	SUS304	4	△
13	SPRING WASHER	SUS304	4	△
14	ACTUATOR		1	
15	STUD BOLT, NUT	SUS304	4	△
16	SPRING WASHER	SUS304	4	△
17				
18				
19				
20				
21				
22				
23				
24				
25				

日付 DATE	Dec. 14. 2001	尺度 SCALE	FREE
使用压力 WORKING PRESSURE	Max 0.5/1.0 MPa P _e	使用温度*1 WORKING TEMP. *1	-10~70℃
耐压試験 SHELL TEST	1.5 MPa P _e	使用温度*2 WORKING TEMP. *2	-20~120℃
耐座試験 SEAT TEST	0.55/1.1 MPa P _e	試験流体 TEST FLUID	WATER
		許容漏れ LEAKAGE	0%

作成 DRAWN	検討 CHECKED	承認 APPROVED
S.Y	7.11	[Signature]

OKM 株式会社オーケーエム
OKUMURA ENGINEERING corp.

図面番号 DRAWING NO.	612X MC 0017 EE	FLOP. No.	Hd-Ian975
---------------------	-----------------	-----------	-----------

△ Jun. 27. 2003
△ JUL. 03, 2009
△ Sep. 16. 2003
△ Dec. 14. 2002
△ May. 10. 2002