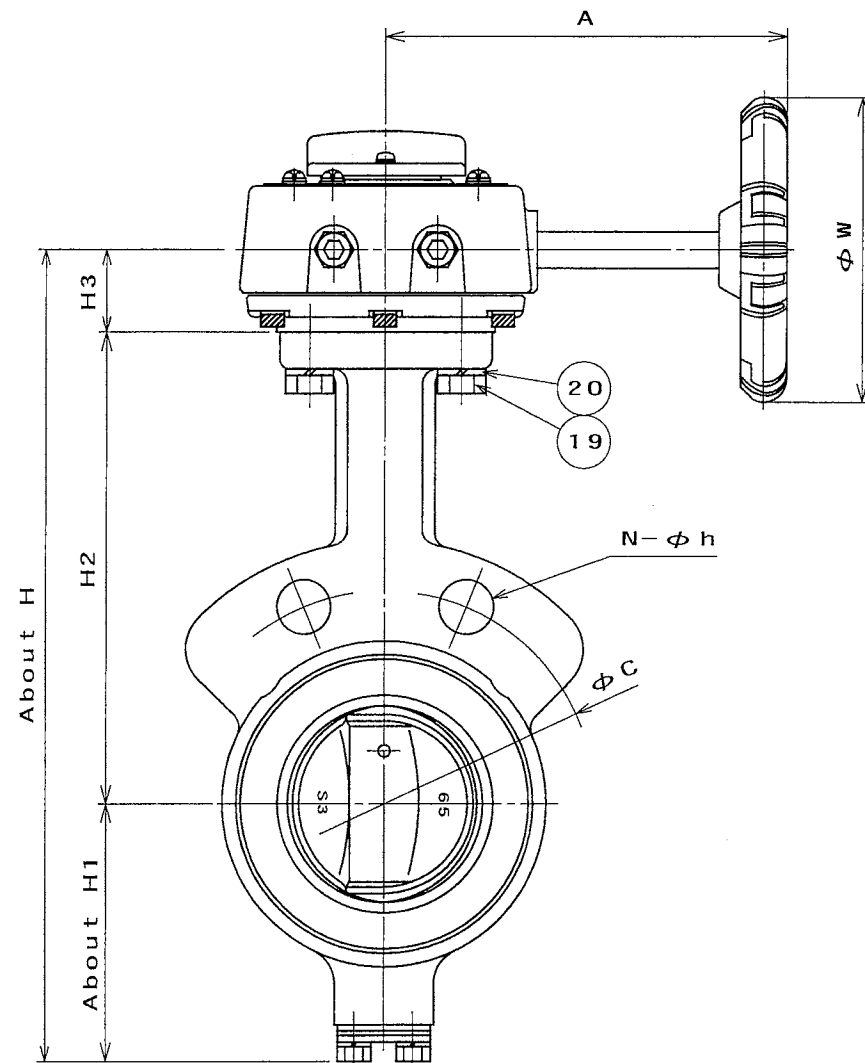
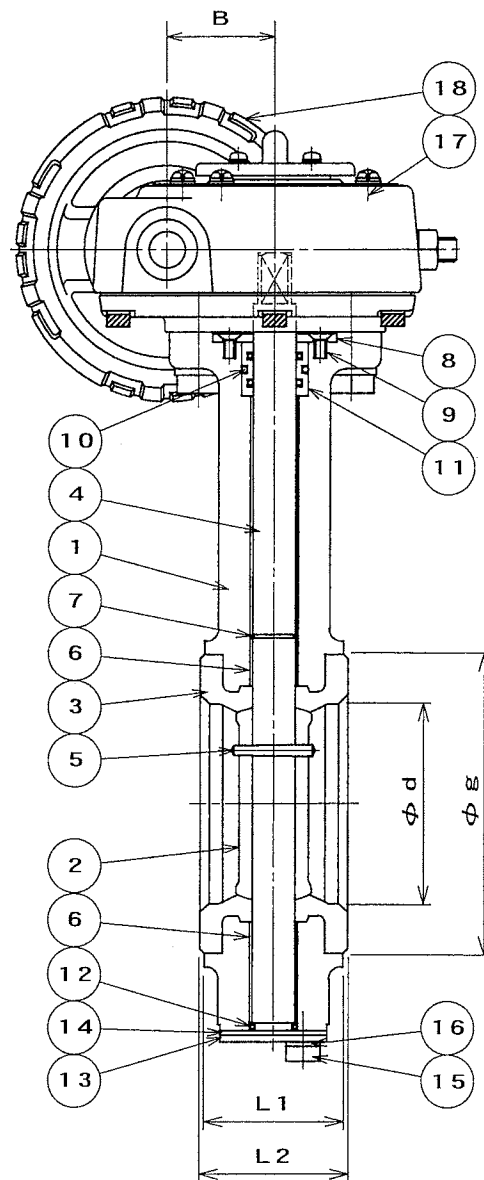
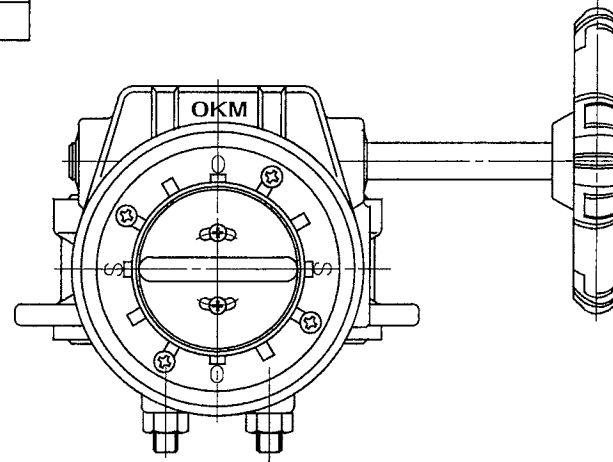


SIZE	d	L1	L2	g	H	H1	H2	H3	A	B	W	GEAR SIZE	MASS (About)
50A	55	43	46	81	257.5	85.5	145	27	132	35	100	4K	4.8Kg
65A	66	46	49	99	266.5	84.5	155	27	132	35	100	4K	5.5Kg

SIZE	JIS10K			JIS16K/20K			ASME125/150Lb		
	C	N	h	C	N	h	C	N	h
50A	120	2/4	19	120	2/8	19	120.7	2/4	19
65A	140	2/4	19	140	2/8	19	139.7	2/4	19

Table 1	
NBR *1	
EPDM*2	



番号 NO.	部品名称 PARTS NAME	材質 MATERIAL	数量 Q. ty	備考 REMARKS
1	BODY	FCD450	1	
2	DISC	SCS13 <sup>△</sup>	1	
3	SEAT RING	See Table 1	1	LINING
4	STEM	SUS403	1	
5	TAPER PIN	SUS630	1	
6	BUSH	PLASTIC	1set	
7	RING	SUS304	1	
8	SET PLATE	PLASTIC	1	
9	SCREW	SUS304	4	
10	O-RING	See Table 1	1set	
11	SEAL RING	PLASTIC	1	
12	O-RING	See Table 1	1	
13	COVER	SPCC	1	PLATED
14	GASKET	See Table 1	1	
15	COVER BOLT	SUS304	2	
16	SPRING WASHER	SUS304	2	
17	GEAR BOX	FC250	1	
18	HAND WHEEL	ADC12	1	
19	BOLT	SWRCH	4	PLATED
20	SPRING WASHER	SWRH	4	PLATED
21				
22				
23				
24				
25				

日付 DATE	FEB. 23, 2004	尺度 SCALE	FREE
使用压力 WORKING PRESSURE	Max 2.0 MPa Pe	使用温度 WORKING TEMP. *1: -10~70℃ *2: -20~120℃	
耐压試験 SHELL TEST	3.0 MPa Pe	試験流体 TEST FLUID	WATER
弁座試験 SEAT TEST	2.2 MPa Pe	許容漏れ LEAKAGE	0 %
作成 DRAWN	検討 CHECKED	承認 APPROVED	
株式会社 オーケーエム OKUMURA ENGINEERING corp.			
図面番号 DRAWING NO.	622H GB 0279 EB	FLOP. No.	Hd-Ian975

△ AUG. 05, 2009  
△ MAY. 20, 2004

SIZE	d	L1	L2	g	H	H1	H2	H3	A	B	W	GEAR SIZE	MASS (About)
80A	84	46	49	114	284.5	92.5	165	27	132	35	100	4K	5.9Kg
100A	100	52	55	136	305.5	98.5	180	27	132	35	100	4K	7.2Kg
125A	130	56	59	167	343.5	115.5	200	28	170	41	125	8K	10.1Kg
150A	154	56	59	192	374.5	130.5	215	29	197	51	160	16K	13.4Kg

SIZE	JIS10K			JIS16K/20K			ASME125Lb/150Lb		
	C	N	h	C	N	h	C	N	h
80A	150	2/8	19	160	2/8	23	152.4	2/4	19
100A	175	2/8	19	185	2/8	23	190.5	2/8	19
125A	210	2/8	23	225	2/8	25	215.9	2/8	22
150A	240	2/8	23	260	2/12	25	241.3	2/8	22

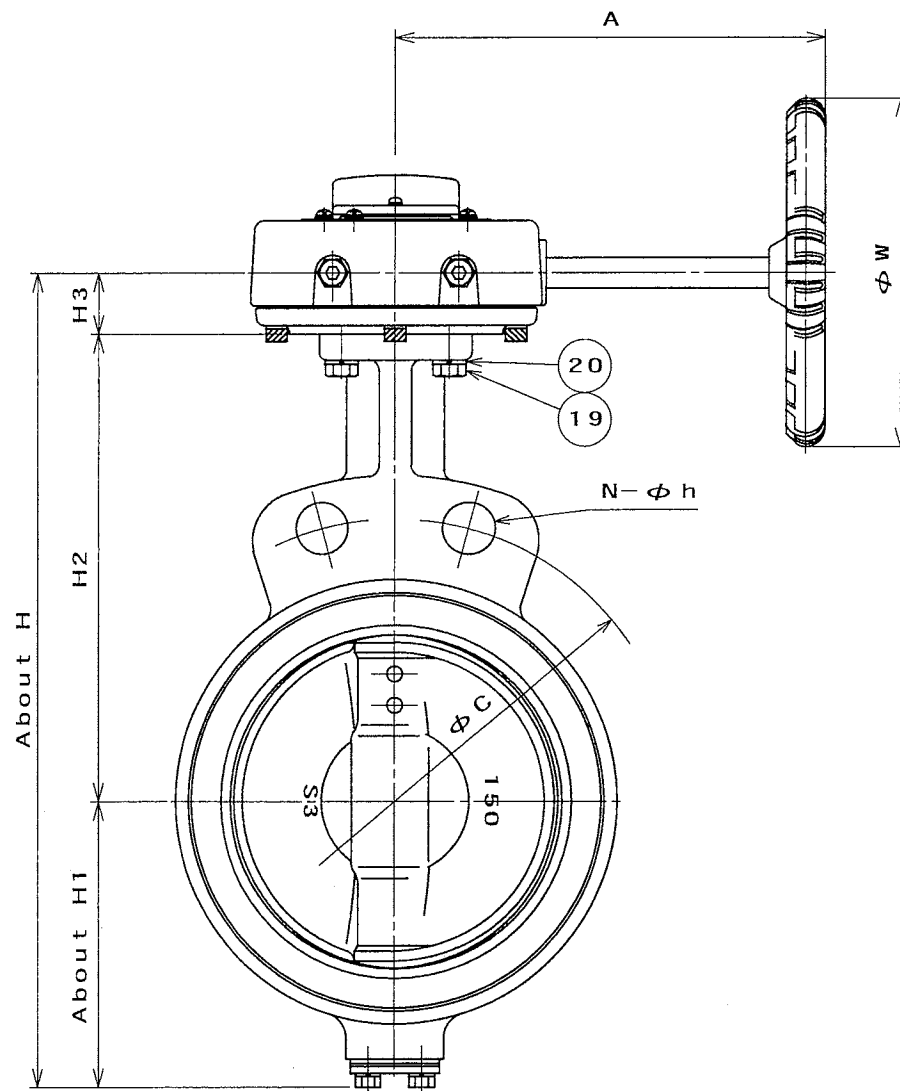
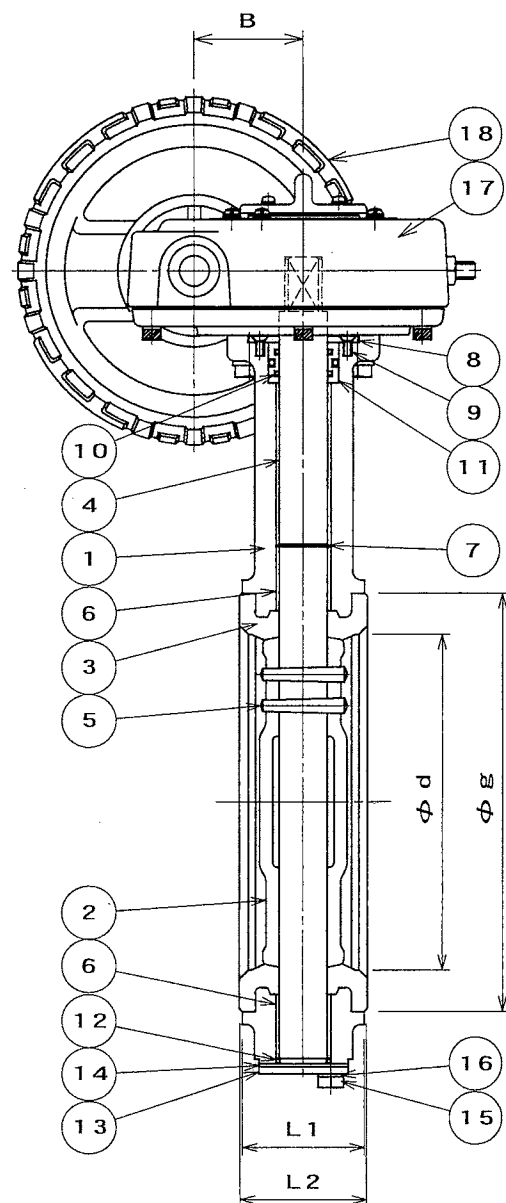
△  
Table 1

NBR *1
EPDM*2

製 番  
MFG. NO.

名称及形式 MODEL 622H (80A~150A)  
NAME AND TYPE BUTTERFLY VALVES WITH  
WORM GEAR OPERATOR

番号 NO.	部品名称 PARTS NAME	材質 MATERIAL	数量 Q. ty	備 考 REMARKS
1	BODY	FCD450	1	
2	DISC	SCS13 △	1	
3	SEAT RING	See Table 1	1	LINING
4	STEM	SUS403	1	
5	TAPER PIN	SUS630	2	
6	BUSH	PLASTIC	1set	
7	RING	SUS304	1	
8	SET PLATE	PLASTIC	1	
9	SCREW	SUS304	4	
10	O-RING	See Table 1	1set	
11	SEAL RING	PLASTIC	1	
12	O-RING	See Table 1	1	
13	COVER	SPCC	1	PLATED
14	GASKET	See Table 1	1	
15	COVER BOLT	SUS304	2	
16	SPRING WASHER	SUS304	2	
17	GEAR BOX	FC250	1	
18	HAND WHEEL	ADC12	1	
19	BOLT	SWRCH	4	PLATED
20	SPRING WASHER	SWRH	4	PLATED
21				
22				
23				
24				
25				



△ AUG. 05, 2009  
△ MAY. 20, 2004

日付 DATE	FEB. 23, 2004	尺 度 SCALE	FREE
使用 圧 力 WORKING PRESSURE	Max 2.0 MPa Pe	使用 温 度*1: WORKING TEMP. *1:	-10~70℃
耐 圧 試 験 SHELL TEST	3.0 MPa Pe	試 験 流 体 TEST FLUID	WATER
弁 座 試 験 SEAT TEST	2.2 MPa Pe	許 容 漏 れ LEAKAGE	0 %

作 成 DRAWN	検 討 CHECKED	承 認 APPROVED
S.Y	T.Y	[Signature]

**OKM** 株式会社 オークエム  
OKUMURA ENGINEERING corp.

図 面 番 号 DRAWING NO.	622H GB 0280 EB	FLOP. No. Hd-1an975
------------------------	-----------------	------------------------

SIZE	d	L1	L2	g	H	H1	H2	H3	A	B	W	GEAR SIZE	MASS (About)
200A	200	60	63	242	452	168.5	245	38.5	255	73.9	200	63K	27.5Kg

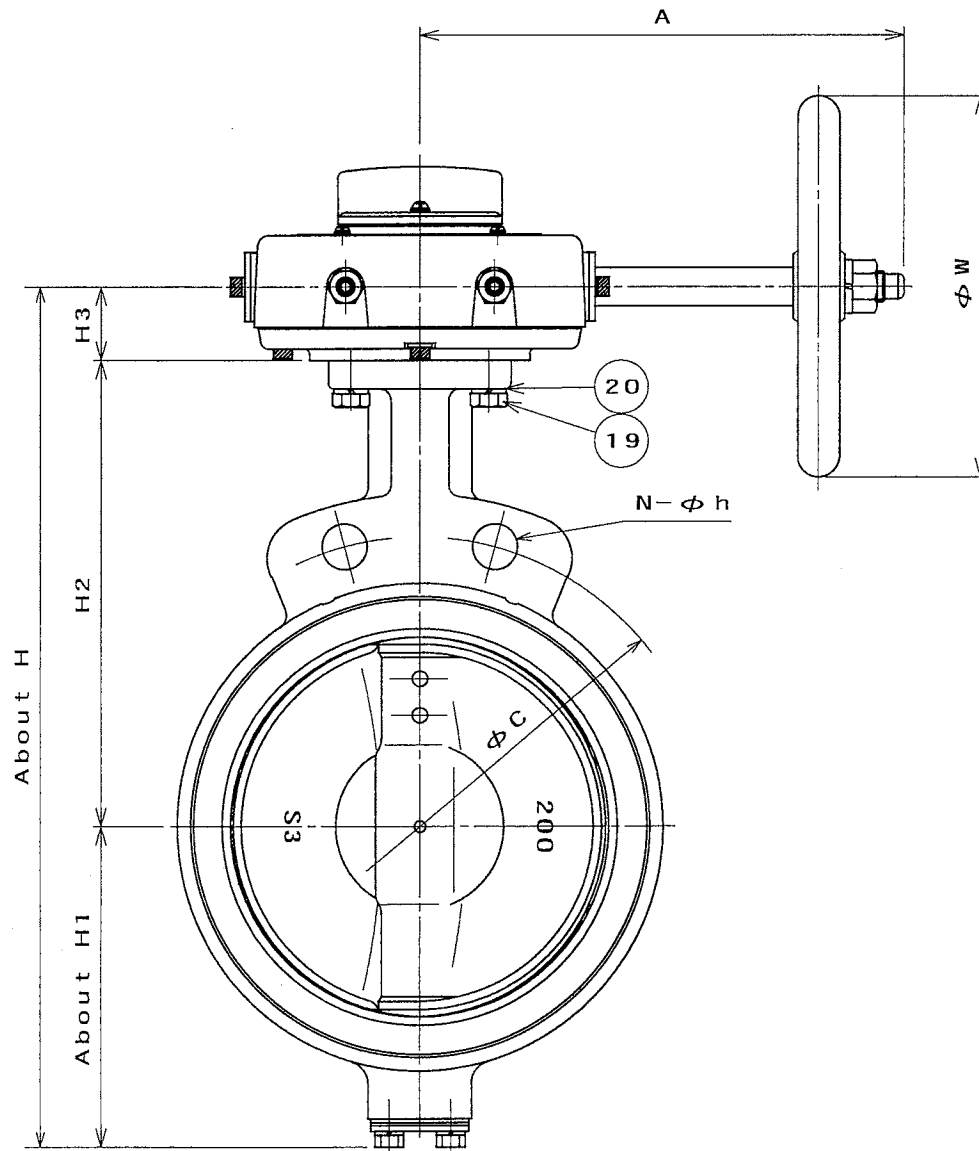
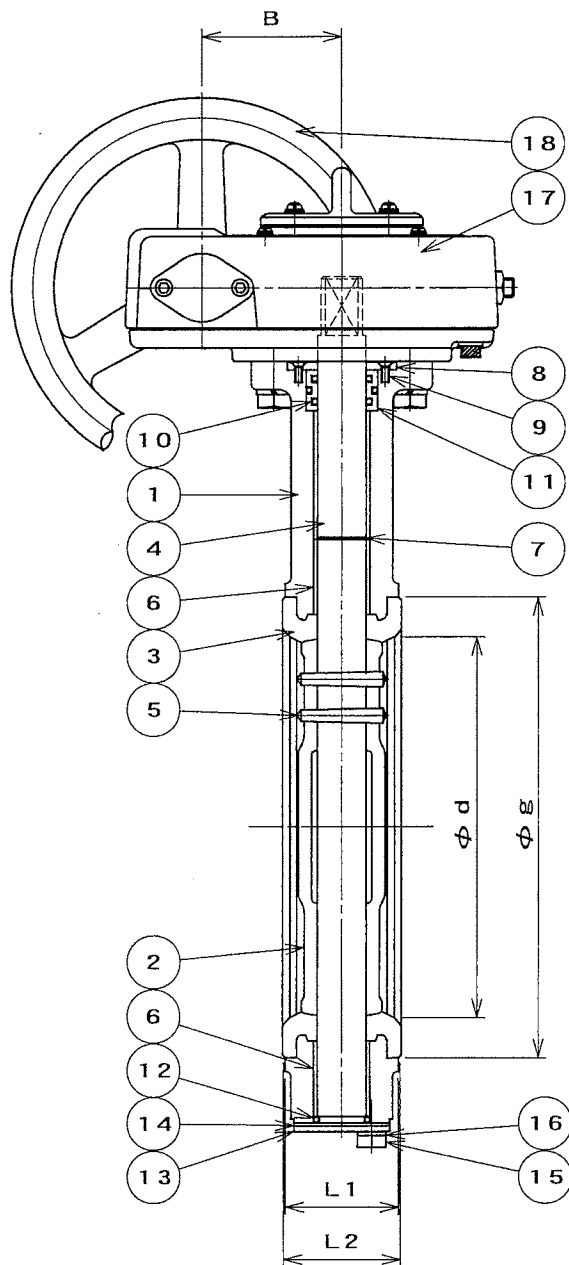
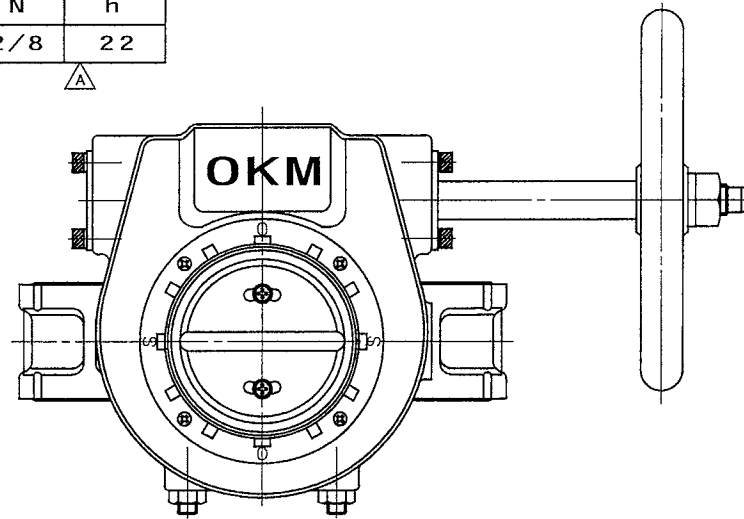
SIZE	JIS10K			JIS16K/20K			ASME125Lb/150Lb		
	C	N	h	C	N	h	C	N	h
200A	290	2/12	23	305	2/12	25	298.5	2/8	22

Table 1
NBR *1
EPDM*2

製番 MFG. NO.

名称及形式 MODEL 622H (200A)  
NAME AND TYPE BUTTERFLY VALVE WITH WORM GEAR OPERATOR

番号 NO.	部品名称 PARTS NAME	材質 MATERIAL	数量 Q. ty	備考 REMARKS
1	BODY	FCD450	1	
2	DISC	SCS13 <sup>△</sup>	1	
3	SEAT RING	See Table 1	1	LINING
4	STEM	SUS403	1	
5	TAPER PIN	SUS630	2	
6	BUSH	PLASTIC	1set	
7	RING	SUS304	1	
8	SET PLATE	PLASTIC	1	
9	SCREW	SUS304	4	
10	O-RING	See Table 1	1set	
11	SEAL RING	PLASTIC	1	
12	O-RING	See Table 1	1	
13	COVER	SPCC	1	PLATED
14	GASKET	See Table 1	1	
15	COVER BOLT	SUS304	2	
16	SPRING WASHER	SUS304	2	
17	GEAR BOX	FC250	1	
18	HAND WHEEL	FC250	1	
19	BOLT	SWRCH	4	PLATED
20	SPRING WASHER	SWRH	4	PLATED
21				
22				
23				
24				
25				



日付 DATE FEB. 23, 2004 尺度 SCALE FREE

使用圧力 WORKING PRESSURE Max 2.0 MPa <sub>Pe</sub> 使用温度\*1: -10~70℃ WORKING TEMP. \*2: -20~120℃ <sup>△</sup>

耐圧試験 SHELL TEST 3.0 MPa <sub>Pe</sub> 試験流体 TEST FLUID WATER

弁座試験 SEAT TEST 2.2 MPa <sub>Pe</sub> 許容漏れ LEAKAGE 0 %

作成 DRAWN S.Y. 検討 CHECKED 承認 APPROVED

**OKM** 株式会社オーケーエム OKUMURA ENGINEERING corp.

<sup>△</sup> AUG. 05, 2009  
<sup>△</sup> DEC. 27, 2004

図面番号 DRAWING NO. 622H GB 0281 EB FLOP. No. Hd-1an975

SIZE	d	L1	L2	g	H	H1	H2	H3	A	B	W	GEAR SIZE	MASS (About)
250A	246	68	71	299	522	203.5	280	38.5	255	73.9	200	63K	37.5Kg
300A	295	78	81	348	602	253.5	310	38.5	335	73.9	315	63K	56.0Kg

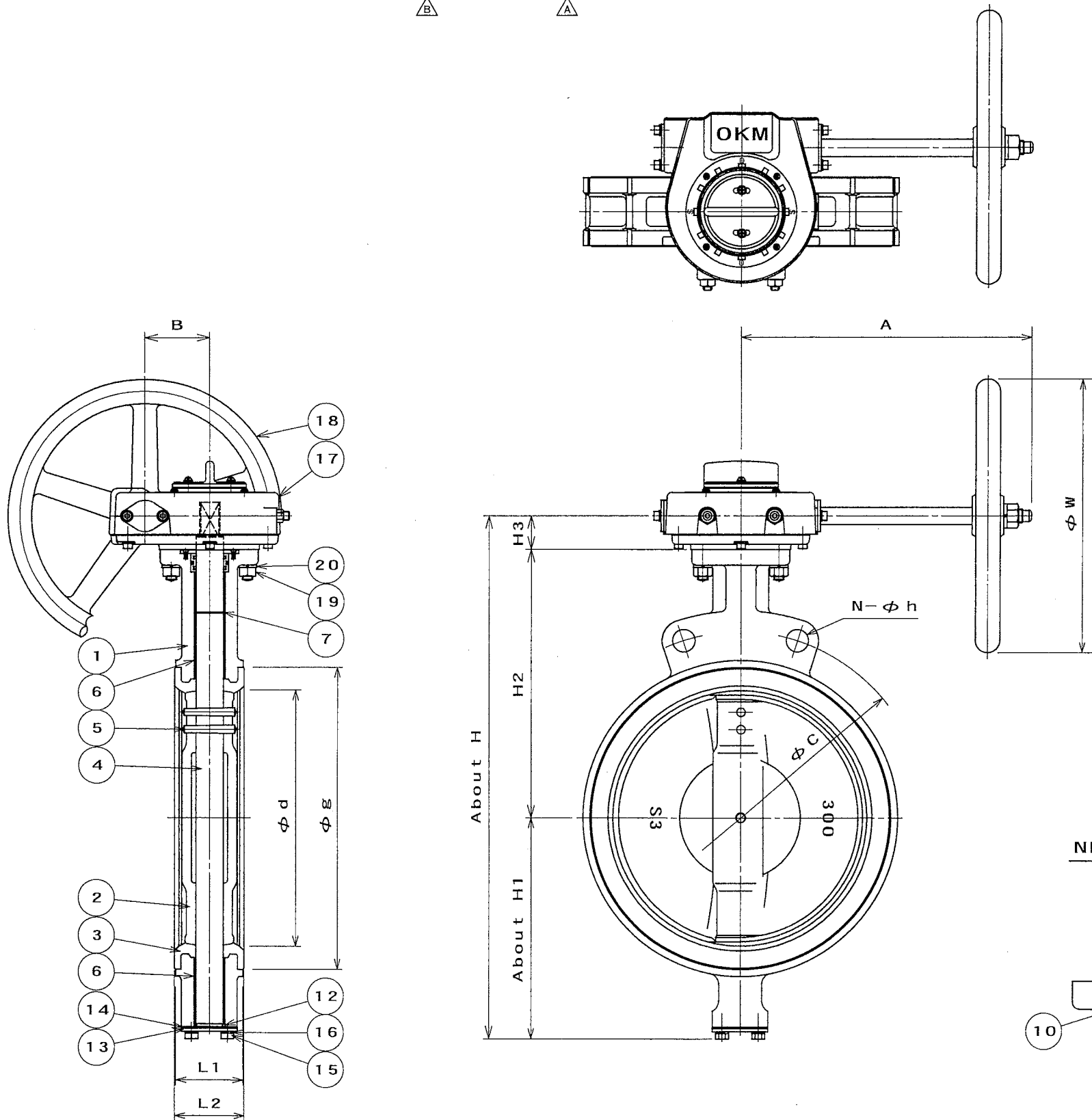
SIZE	JIS10K			JIS16K/20K			ASME125Lb/150Lb		
	C	N	h	C	N	h	C	N	h
250A	355	2/12	25	380	2/12	27	362.0	2/12	25
300A	400	2/16	25	430	2/16	27	431.8	2/12	25

Table 1
NBR *1
EPDM*2

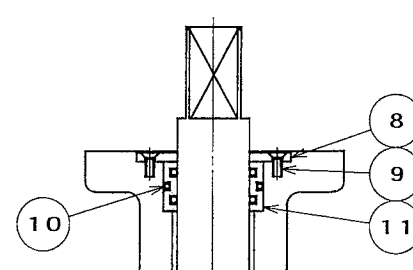
製 番  
MFG. NO.

名称及形式 MODEL 622H (250A, 300A)  
NAME AND TYPE BUTTERFLY VALVES WITH WORM GEAR OPERATOR

番号 NO.	部品名称 PARTS NAME	材質 MATERIAL	数量 Q. ty	備考 REMARKS
1	BODY	FCD450	1	
2	DISC	SCS13 <sup>△</sup>	1	
3	SEAT RING	See Table 1	1	LINING
4	STEM	SUS403	1	
5	TAPER PIN	SUS630	2	
6	BUSH	PLASTIC	1set	
7	RING	SUS304	1	
8	SET PLATE	PLASTIC	1	
9	SCREW	SUS304	4	
10	O-RING	See Table 1	1set	
11	SEAL RING	PLASTIC	1	
12	O-RING	See Table 1	1	
13	COVER	SS400	1	PLATED
14	GASKET	See Table 1	1	
15	COVER BOLT	SUS304	4	
16	SPRING WASHER	SUS304	4	
17	GEAR BOX	FC250	1	
18	HAND WHEEL	FC250	1	
19	STUD BOLT, NUT	SGD SWRCH	4	PLATED
20	SPRING WASHER	SWRH	4	PLATED
21				
22				
23				
24				
25				



NECK DETAIL



<sup>△</sup> AUG. 05, 2009  
<sup>△</sup> JAN. 14, 2005

日付 DATE	FEB. 23, 2004	尺度 SCALE	FREE
使用压力 WORKING PRESSURE	Max 2.0 MPa Pe	使用温度 WORKING TEMP. *1:	-10~70℃
耐压試験 SHELL TEST	3.0 MPa Pe	試験流体 TEST FLUID	WATER
弁座試験 SEAT TEST	2.2 MPa Pe	許容漏れ LEAKAGE	0 %
作成 DRAWN	検 討 CHECKED	承 認 APPROVED	
<b>OKM</b> 株式会社 オークエム OKUMURA ENGINEERING corp.			
図面番号 DRAWING NO.	622H GB 0282 EB	FLOP. No.	Hd-lan975