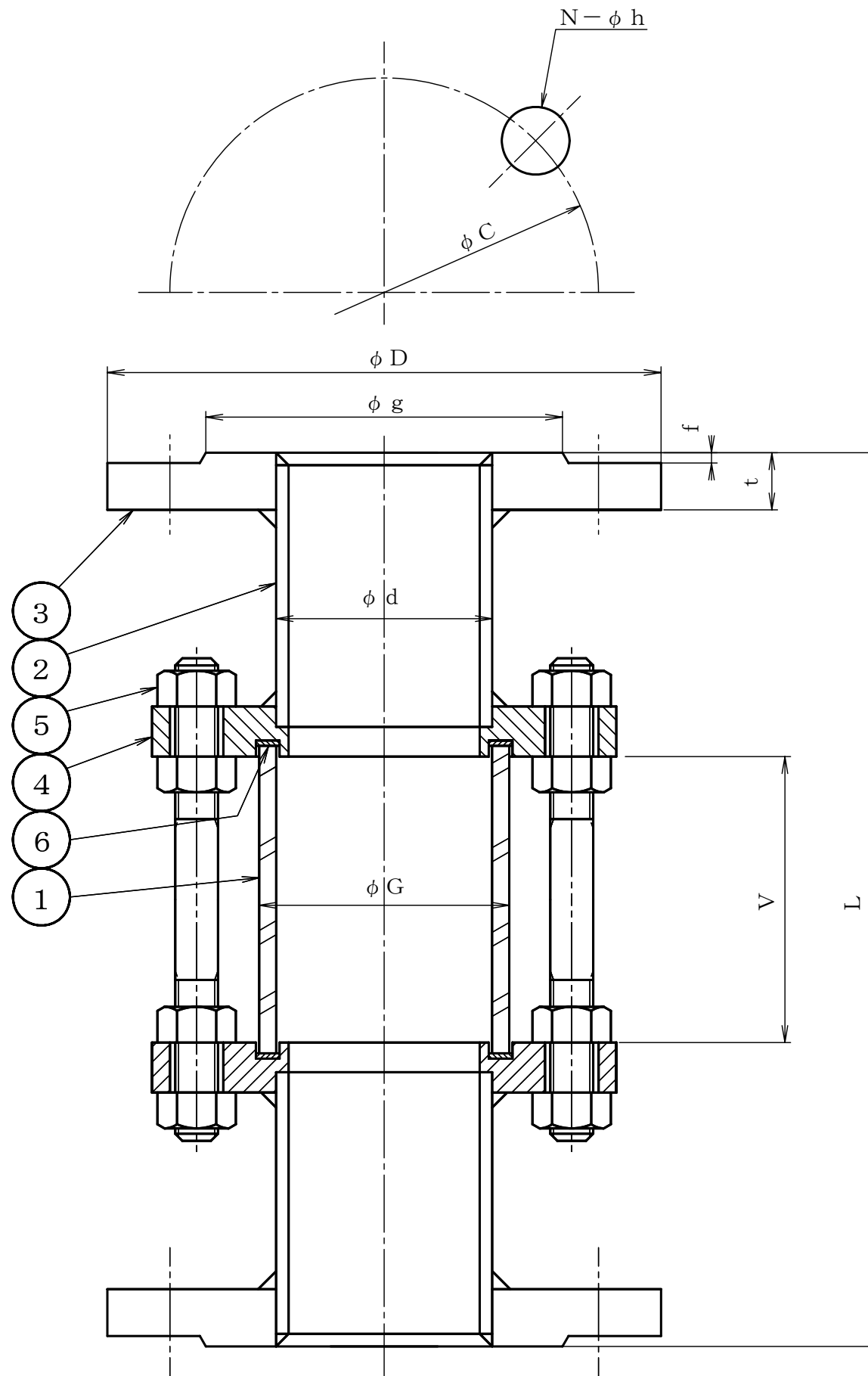


10FG-3-04



| SIZE | d | L | FLANGED | | | | | | | V | G | |
|------|-------|-------|---------|-----|-----|-----|---|----|---|----|----|-----|
| | | | D | C | g | f | t | N | h | | | |
| 15 | 1/2 | 21.7 | 220 | 95 | 70 | 51 | 1 | 12 | 4 | 15 | 80 | 30 |
| 20 | 3/4 | 27.2 | 220 | 100 | 75 | 56 | 1 | 14 | 4 | 15 | 80 | 35 |
| 25 | 1 | 34.0 | 220 | 125 | 90 | 67 | 1 | 14 | 4 | 19 | 80 | 45 |
| 40 | 1 1/2 | 48.6 | 220 | 140 | 105 | 81 | 2 | 16 | 4 | 19 | 80 | 60 |
| 50 | 2 | 60.5 | 250 | 155 | 120 | 96 | 2 | 16 | 4 | 19 | 80 | 70 |
| 65 | 2 1/2 | 76.3 | 250 | 175 | 140 | 116 | 2 | 18 | 4 | 19 | 80 | 80 |
| 80 | 3 | 89.1 | 250 | 185 | 150 | 126 | 2 | 18 | 8 | 19 | 80 | 100 |
| 100 | 4 | 114.3 | 250 | 210 | 175 | 151 | 2 | 18 | 8 | 19 | 80 | 120 |

| No | NAME OF PART | MATERIAL | Q.T.Y | REMARKS |
|----|--------------|-------------|-------|---------|
| 6 | GASKET | FPM | 2 | |
| 5 | BOLT NUT | SUS304 | SET | |
| 4 | FLANGE | SUS304 | 2 | |
| 3 | FLANGE | SUS304 | 2 | |
| 2 | PIPE | SUS304 | 2 | |
| 1 | BODY | PYREX GLASS | 1 | |

NAME
10K LANTERN TYPE
FLANGED SIGHT GLASS

| FLUID | TEST PRESSURE | TEST PRESSURE | BODY | (HYD) | 0.75 MPaG |
|--------------------|---------------|---------------|------|-------|-----------|
| | | | | (AIR) | MPaG |
| DESIGN PRESSURE | 0.5 MPaG | | SEAT | (HYD) | MPaG |
| DESIGN TEMPERATURE | R.T. °C | | | (AIR) | MPaG |

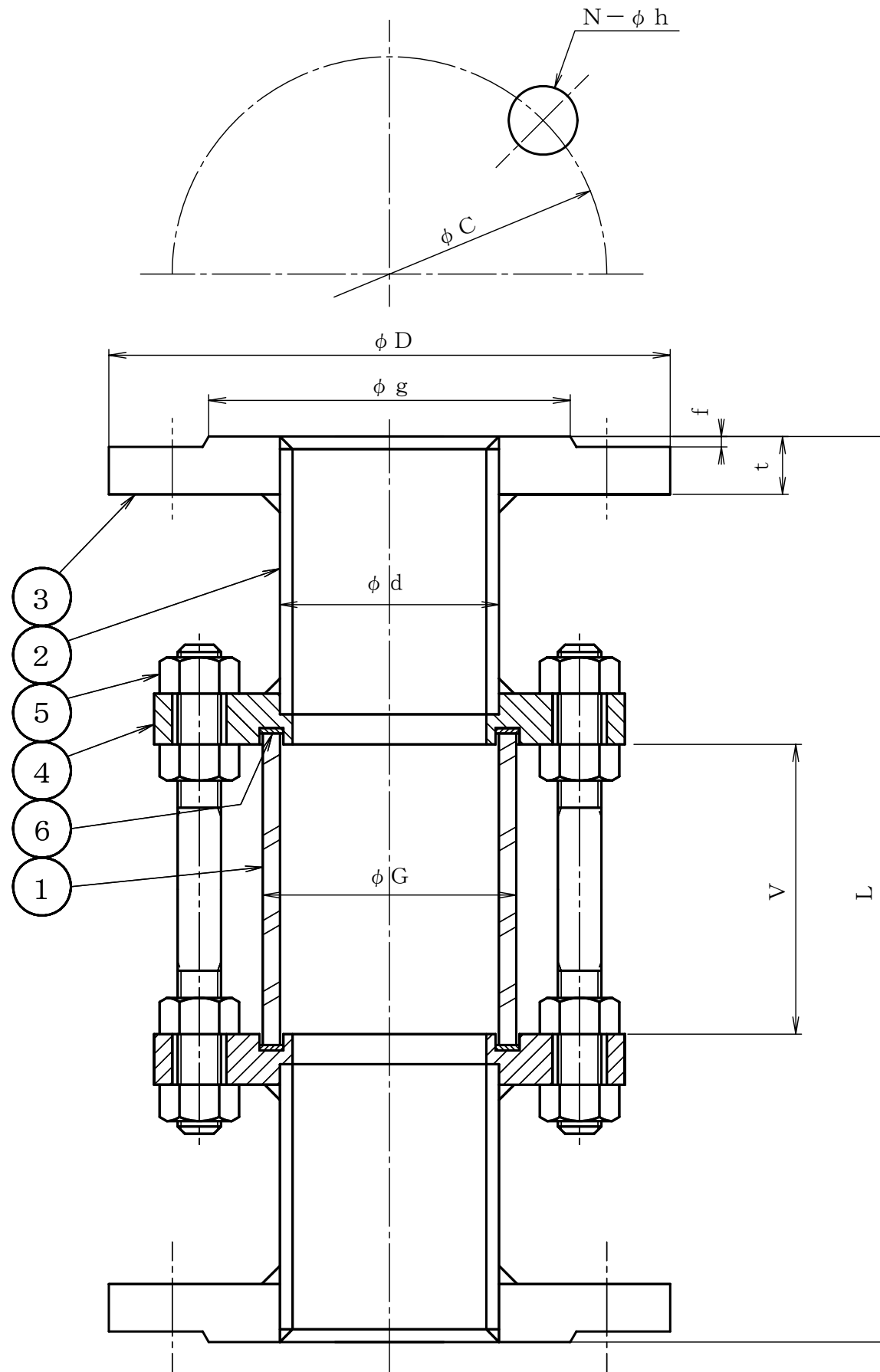
DRAWING No _____ MODEL No 10FG-3-04

| DATE | A.P | C.K | D.S | D.W |
|---------------|-----------|-----------|--------|---------|
| SEP. 15, 2005 | TAKASHIMA | TAKASHIMA | MORITA | KAIMOTO |

MM THREE-M INDUSTRY CO.,LTD.

| No | DESCRIPTION | DATE | A.P | C.K | D.W |
|-----------|-------------|------|-----|-----|-----|
| REVISIONS | | | | | |

10FG-3-04



| SIZE | d | L | FLANGED | | | | | | | | V | G |
|------|---|-------|---------|-----|-----|-----|---|----|---|----|----|-----|
| | | | D | C | g | f | t | N | h | | | |
| 125 | 5 | 139.8 | 250 | 250 | 210 | 182 | 2 | 20 | 8 | 23 | 80 | 150 |
| 150 | 6 | 165.2 | 280 | 280 | 240 | 212 | 2 | 22 | 8 | 23 | 80 | 180 |
| | | | | | | | | | | | | |
| | | | | | | | | | | | | |
| | | | | | | | | | | | | |
| | | | | | | | | | | | | |
| | | | | | | | | | | | | |
| | | | | | | | | | | | | |

| 6 | GASKET | FPM | 2 | |
|----|--------------|-------------|-------|---------|
| 5 | BOLT NUT | SUS304 | SET | |
| 4 | FLANGE | SUS304 | 2 | |
| 3 | FLANGE | SUS304 | 2 | |
| 2 | PIPE | SUS304 | 2 | |
| 1 | BODY | PYREX GLASS | 1 | |
| No | NAME OF PART | MATERIAL | Q.T.Y | REMARKS |

NAME
10K LANTERN TYPE
FLANGED SIGHT GLASS

| | | | | |
|--------------------|----------|---------------|------|-----------------|
| FLUID | | TEST PRESSURE | BODY | (HYD) 0.45 MPaG |
| | | | SEAT | (AIR) MPaG |
| DESIGN PRESSURE | 0.3 MPaG | | | (HYD) MPaG |
| | | | | (AIR) MPaG |
| DESIGN TEMPERATURE | R.T. °C | | | (HYD) MPaG |
| | | | | (AIR) MPaG |

DRAWING No _____ MODEL No 10FG-3-04

| | | | | |
|---------------|-----------|-----------|--------|---------|
| DATE | A. P | C. K | D. S | D. W |
| SEP. 15, 2005 | TAKASHIMA | TAKASHIMA | MORITA | KAIMOTO |

MM THREE-M INDUSTRY CO.,LTD.

| No | DESCRIPTION | DATE | A. P | C. K | D. W |
|-----------|-------------|------|------|------|------|
| REVISIONS | | | | | |