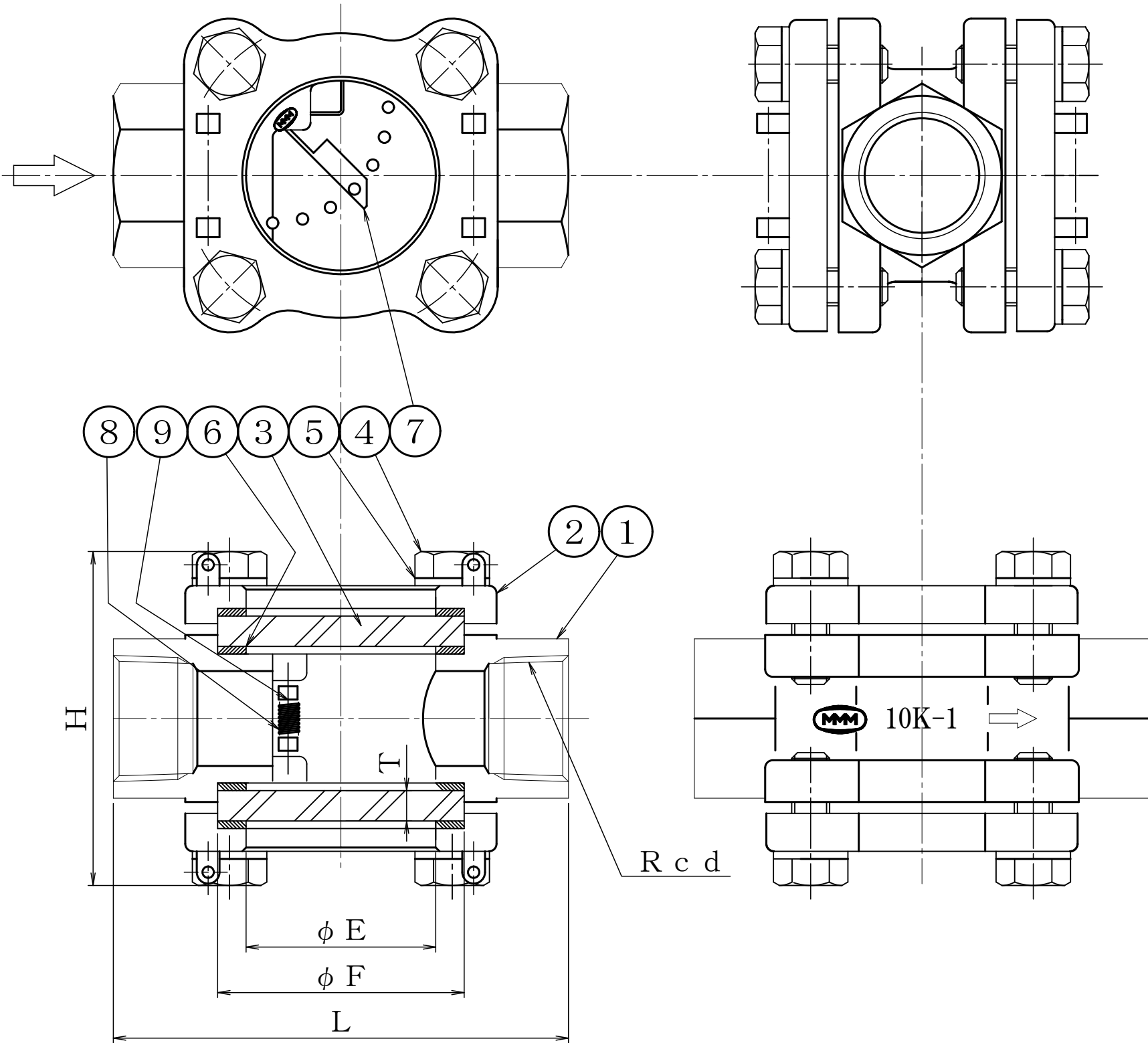


10SGL-1-13A

040A1



SIZE	d	L	H	E	F	T			
3/8	10	3/8	95	72	40	50	6		
1/2	15	1/2	95	72	40	50	6		
3/4	20	3/4	100	72	40	50	6		
1	25	1	120	88	50	65	8		
① 1 1/4	32	1 1/4	140	116	65	80	10		
1 1/2	40	1 1/2	145	116	65	80	10		
2	50	2	160	135	80	90	12		

9	PIN	SUS316	1	
8	SPRING	SUS316	1	
7	FLAPPER	SUS316	1	
6	GASKET	T#9007-G20	4	
5	WASHER	SUS304	8	
4	BOLT	SUS304	8	
3	GLASS	TEMPERED GLASS	2	
2	COVER	SCS13A	2	
1	BODY	SCS13A	1	
No	NAME OF PART	MATERIAL	Q.T.Y	REMARKS

NAME 10K FLAPPER TYPE
SCREWED SIGHT GLASS

FLUID		TEST PRESSURE	BODY	(HYD) 1.5 MPaG
			SEAT	(AIR) MPaG
DESIGN PRESSURE	1.0 MPaG			(HYD) MPaG
DESIGN TEMPERATURE	150 °C			(AIR) MPaG

DRAWING No MODEL No 10SGL-1-13A

DATE	A.P	C.K	D.S	D.W
APR. 6, 2012	MORITA	MORITA	MORITA	HORIE

MM THREE-M INDUSTRY CO., LTD.

No	DESCRIPTION	DATE	A.P	C.K	D.W
①	SIZE	DEC. 8, 2020	TAKAHASI	TAKAHASI	MORITA
REVISIONS					