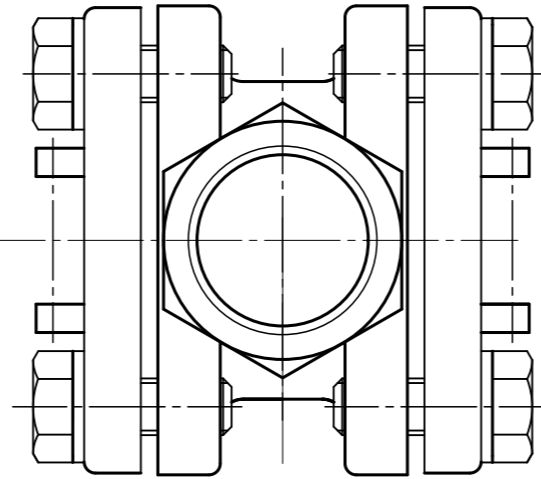
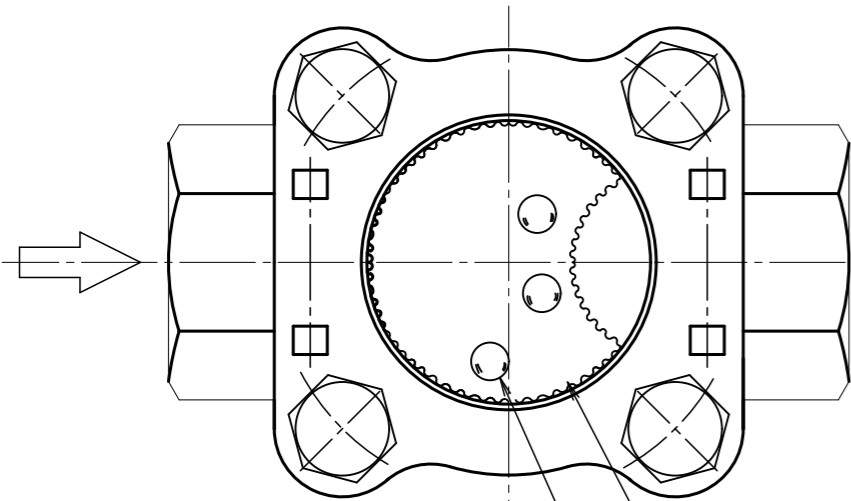
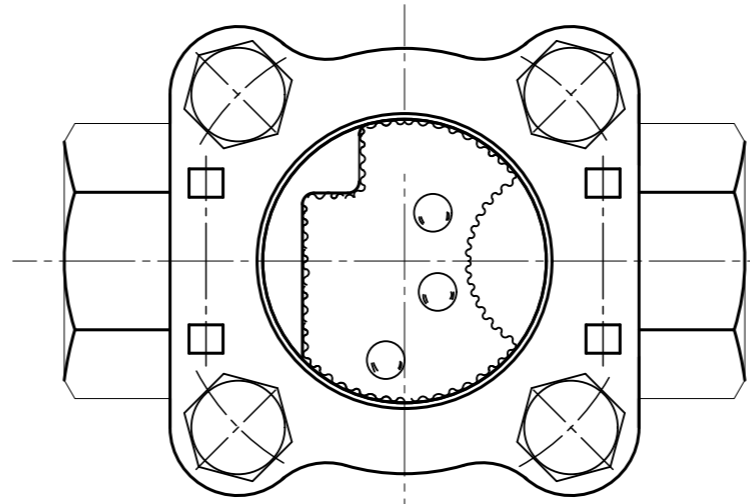
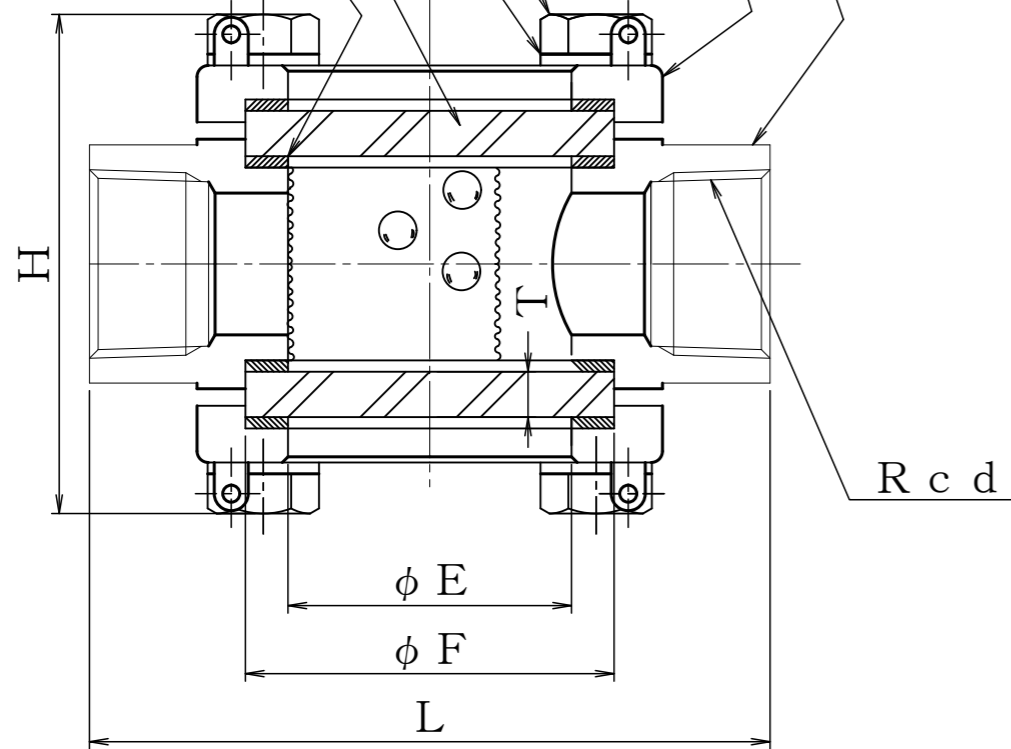


10SGL-2-13A



- 6
- 3
- 5
- 4
- 7
- 8
- 2
- 1



① 1 1/4 (32)

SIZE	d	L	H	E	F	T			
3/8	10	3/8	95	72	40	50	6		
1/2	15	1/2	95	72	40	50	6		
3/4	20	3/4	100	72	40	50	6		
1	25	1	120	88	50	65	8		
① 1 1/4	32	1 1/4	140	116	65	80	10		
1 1/2	40	1 1/2	145	116	65	80	10		
2	50	2	160	135	80	90	12		

8	SCREEN	SUS304	1	
7	BALL	POLYPROPYLEN	SET	
		ACRYL		
6	GASKET	T#9007-G20	4	
5	WASHER	SUS304	8	
4	BOLT	SUS304	8	
3	GLASS	TEMPERED GLASS	2	
2	COVER	SCS13A	2	
1	BODY	SCS13A	1	
No	NAME OF PART	MATERIAL	Q.T.Y	REMARKS

NAME 10K BALL TYPE  
SCREWED SIGHT GLASS

FLUID		TEST PRESSURE	BODY	(HYD) 1.5 MPaG
			SEAT	(AIR) MPaG
DESIGN PRESSURE	1.0 MPaG			(HYD) MPaG
				(AIR) MPaG
DESIGN TEMPERATURE	85 °C			(HYD) MPaG
				(AIR) MPaG

DRAWING No MODEL No 10SGL-2-13A

DATE	A. P	C. K	D. S	D. W
APR. 6, 2012	MORITA	MORITA	MORITA	HORIE

**MM** THREE-M INDUSTRY CO., LTD.

SIZE	DATE	A. P	C. K	D. W	
① 1 1/4	DEC. 8, 2020	TAKAHASI	TAKAHASI	MORITA	
No	DESCRIPTION	DATE	A. P	C. K	D. W
REVISIONS					