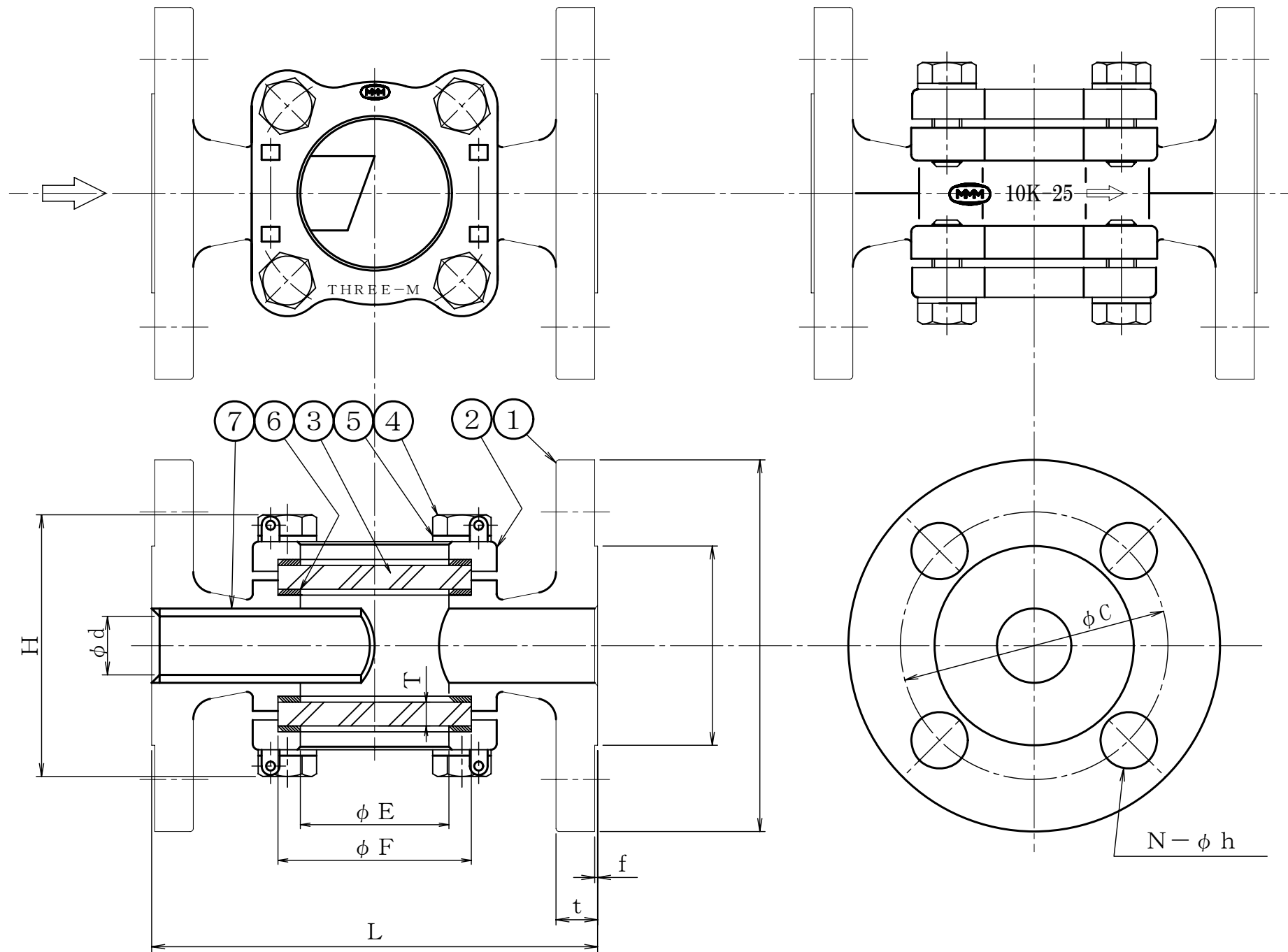


10FGL-4-13A

SIZE	d	L	FLANGED								H	E	F	T
			D	C	g	f	t	N	h					
15	1/2	9.4	130	95	70	51	1	12	4	15	72	40	50	6
20	3/4	15.0	130	100	75	56	1	14	4	15	72	40	50	6
25	1	19.0	150	125	90	67	1	14	4	19	88	50	65	8
40	1 1/2	34.0	170	140	105	81	2	16	4	19	116	65	80	10
50	2	44.6	200	155	120	96	2	16	4	19	135	80	95	12



No	NAME OF PART	MATERIAL	Q.T.Y	REMARKS
7	PIPE	SUS304	1	
6	GASKET	T#9007-G20	4	
5	WASHER	SUS304	8	
4	BOLT	SUS304	8	
3	GLASS	TEMPERED GLASS	2	
2	COVER	SCS13A	2	
1	BODY	SCS13A	1	

NAME 10K NOZZLE TYPE
FLANGED SIGHT GLASS

FLUID		TEST PRESSURE	BODY	(HYD) 1.5 MPaG
			SEAT	(AIR) MPaG
DESIGN PRESSURE	1.0 MPaG			(HYD) MPaG
DESIGN TEMPERATURE	150 °C			(AIR) MPaG

DRAWING No _____ MODEL No 10FGL-4-13A

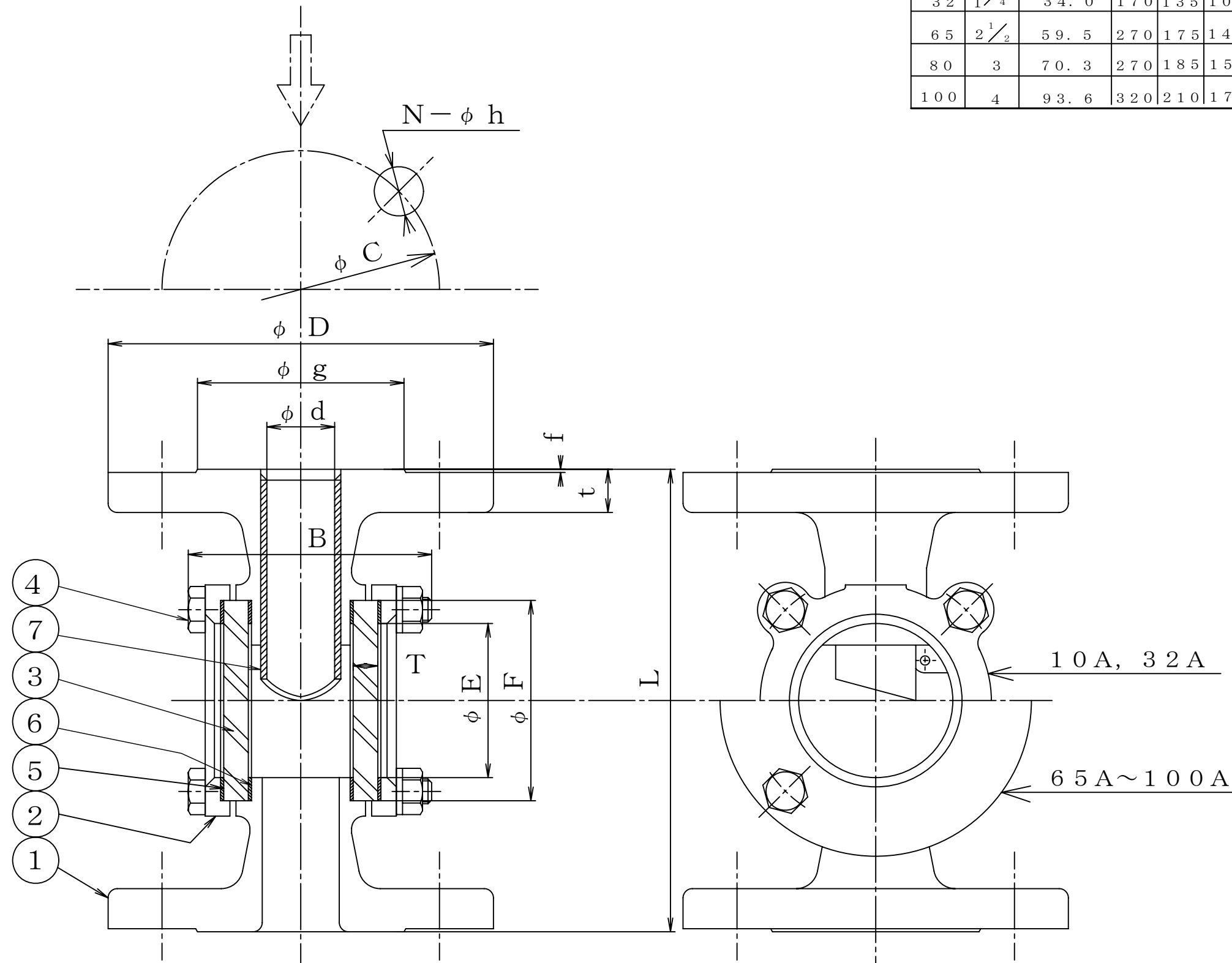
DATE	A. P	C. K	D. S	D. W
APR. 11, 2012	MORITA	MORITA	MORITA	HORIE

MM THREE-M INDUSTRY CO.,LTD.

No	DESCRIPTION	DATE	A. P	C. K	D. W
REVISIONS					

10FGL-4-13A

SIZE	d	L	FLANGED								B	E	F	T
			D	C	g	f	t	N	h					
10	3/8	130	90	65	46	1	12	4	15	65	40	50	6	
32	1/4	170	135	100	76	2	16	4	19	110	65	80	10	
65	2 1/2	270	175	140	116	2	18	4	19	176	120	140	19	
80	3	270	185	150	126	2	18	8	19	176	120	140	19	
100	4	320	210	175	151	2	18	8	19	206	155	180	22	



No	NAME OF PART	MATERIAL	Q.T.Y	REMARKS
7	PIPE	SUS304	1	
6	GASKET	T#9007-G20	2	
5	GASKET	T#9007-G20	2	
4	BOLT WASHER	SUS304	SET	
3	GLASS	TEMPERED GLASS	2	
2	COVER	SCS13A	2	
1	BODY	SCS13A	1	

NAME 10K NOZZLE TYPE
FLANGED SIGHT GLASS

FLUID	DESIGN PRESSURE	DESIGN TEMPERATURE	TEST PRESSURE	BODY	SEAT
	1.0 MPaG	150 °C		(HYD) 1.5 MPaG (AIR) MPaG	(HYD) MPaG (AIR) MPaG

DRAWING No MODEL No 10FGL-4-13A

DATE	A.P	C.K	D.S	D.W
APR. 11, 2012	TAKASHIMA	TAKASHIMA	MORITA	HORIE

MM THREE-M INDUSTRY CO.,LTD.

No	DESCRIPTION	DATE	A.P	C.K	D.W
REVISIONS					