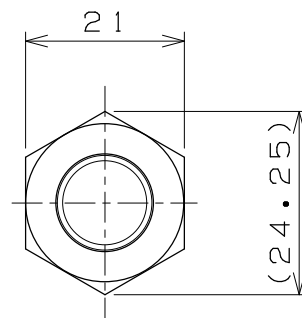
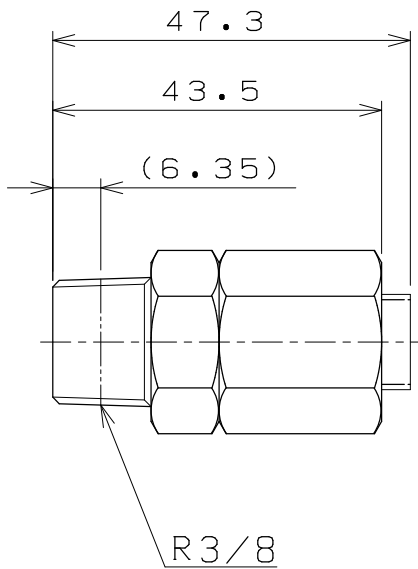


リングP6

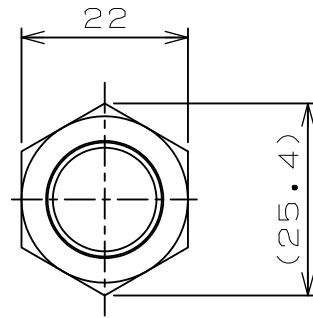
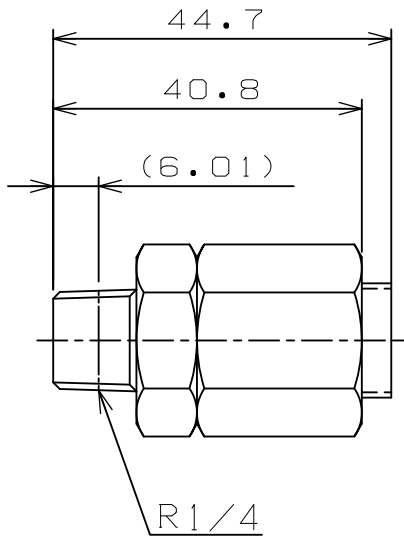
TITLE	KANTOUCH
MODEL	TH6-1/4-BorS



リングP6

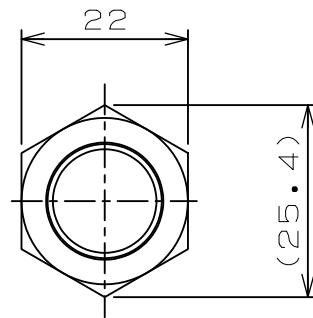
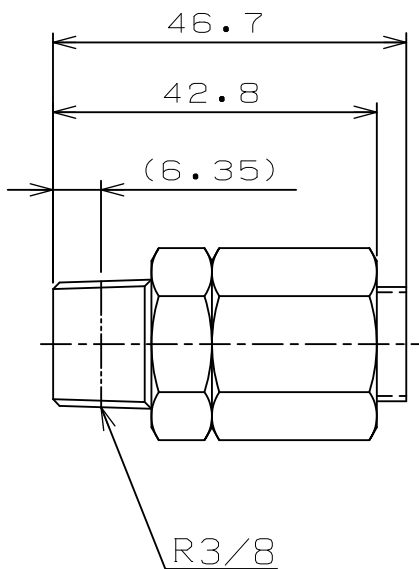
TITLE	KANTOUCH
MODEL	TH6-3/8-BorS

TH6-BorS		RGL JOINT CO., LTD	
DATE	01, 11, 12	A4	1/1



リングP9

TITLE	KANTOUCH
MODEL	TH8-1/4-BorS

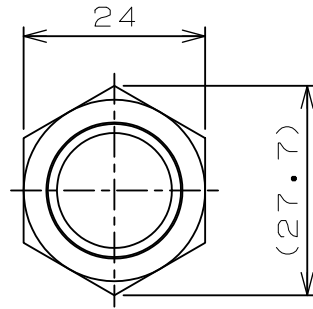
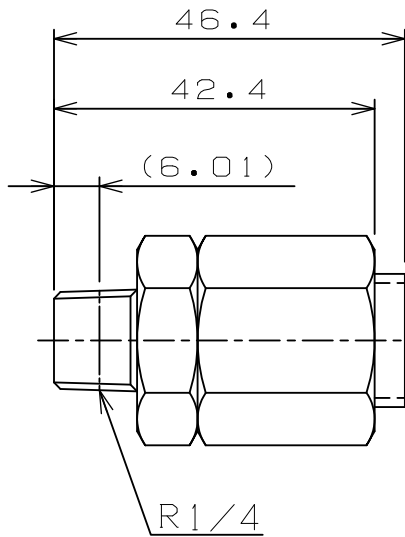


リングP9

TITLE	KANTOUCH
MODEL	TH8-3/8-BorS

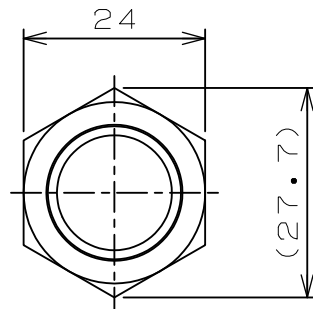
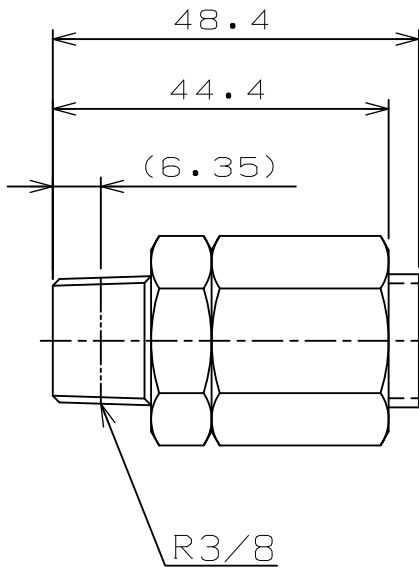
TH8-BorS	RGL JOINT CO., LTD
----------	--------------------

DATE	01, 11, 12	A4	1/1
------	------------	----	-----



オリングP9

TITLE	KANTOUCH
MODEL	TH9-1/4-BorS

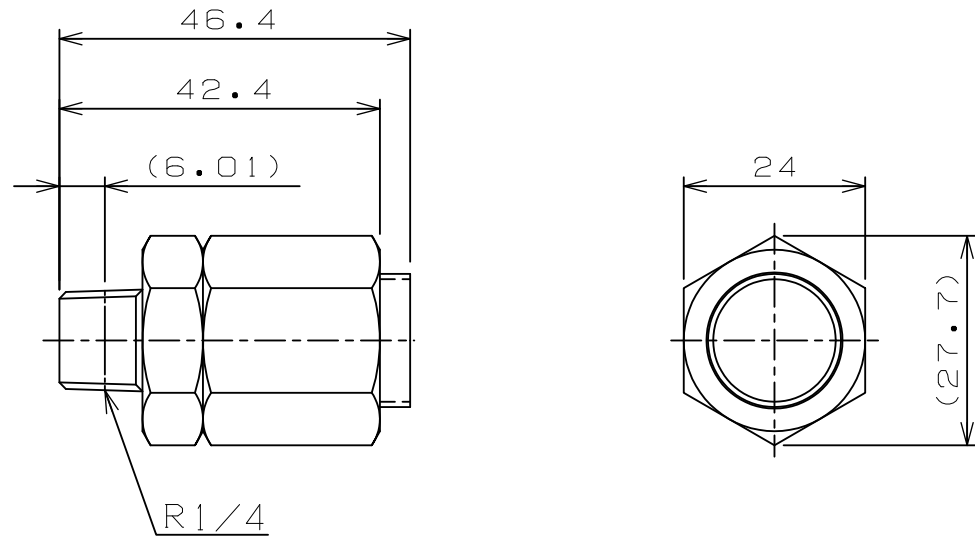


オリングP9

TITLE	KANTOUCH
MODEL	TH9-3/8-BorS

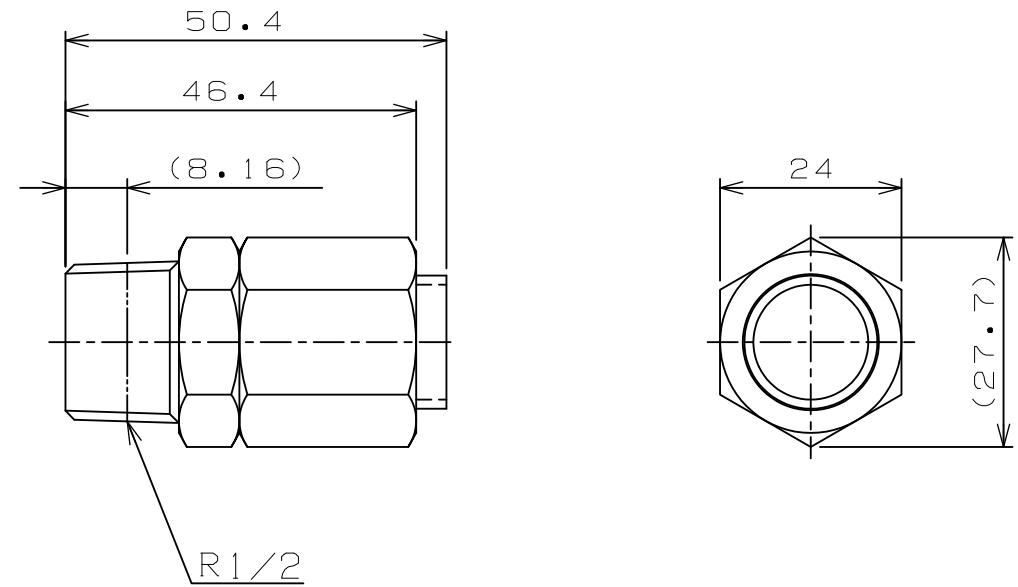
TH9-BorS	RGL JOINT CO., LTD
----------	--------------------

DATE	01, 11, 12	A4	1/1
------	------------	----	-----



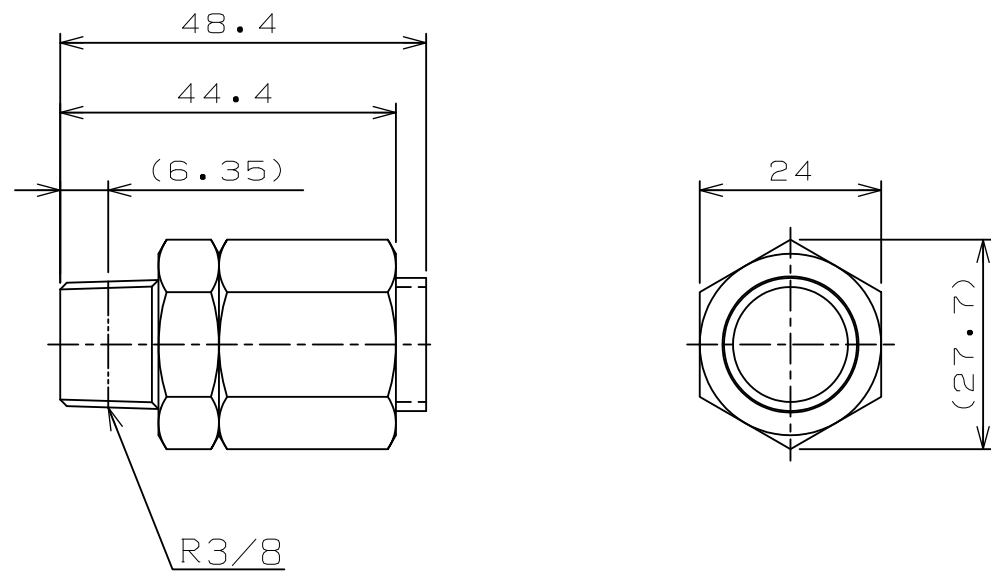
リングP10

TITLE	KANTOUCH
MODEL	TH10-1/4-BorS



リングP10

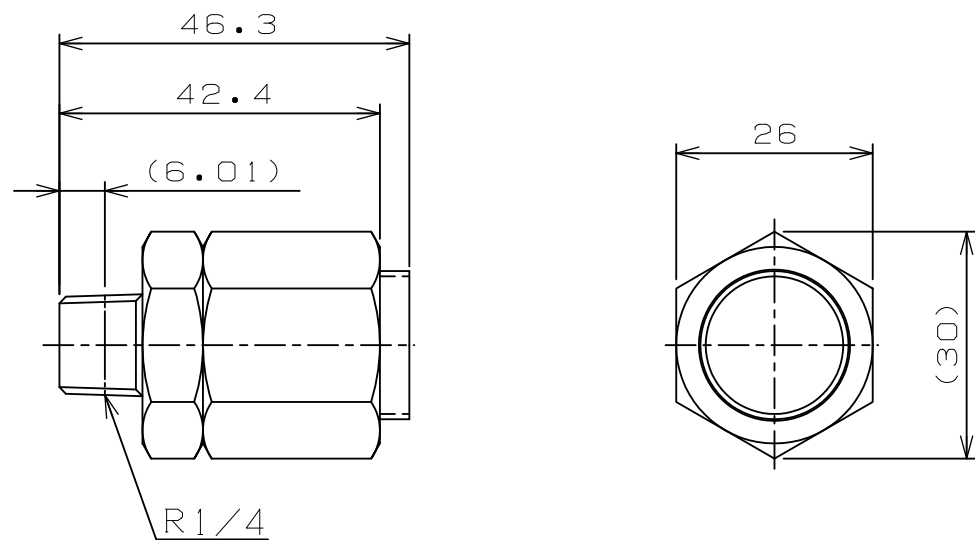
TITLE	KANTOUCH
MODEL	TH10-1/2-BorS



リングP10

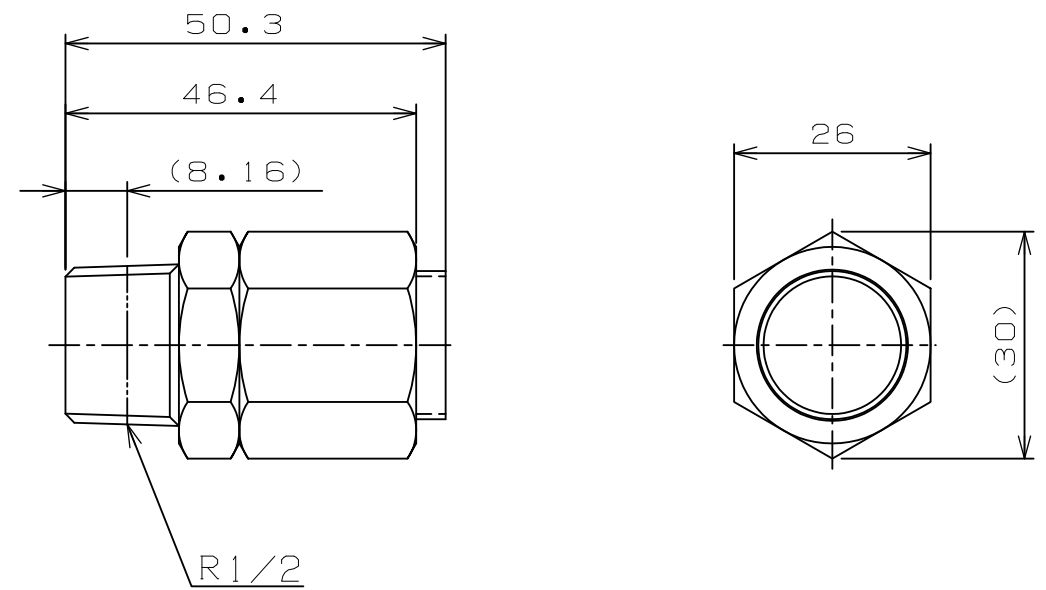
TITLE	KANTOUCH
MODEL	TH10-3/8-BorS

TH10-BorS		RGL JOINT CO., LTD	
DATE	01, 11, 12	A3	1/1



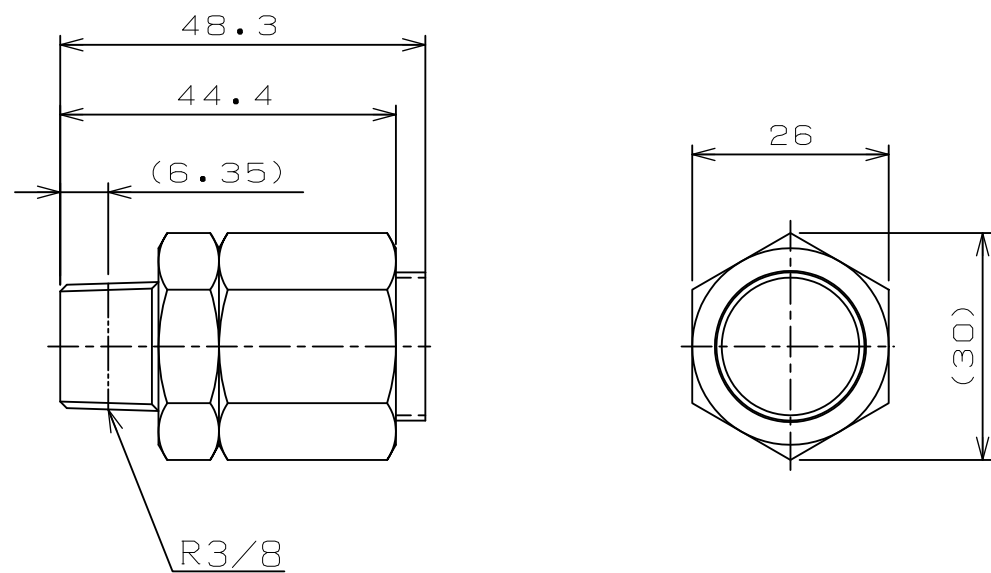
リングP11

TITLE	KANTOUCH
MODEL	TH12-1/4-BorS



リングP11

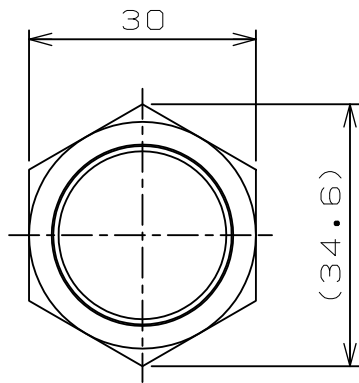
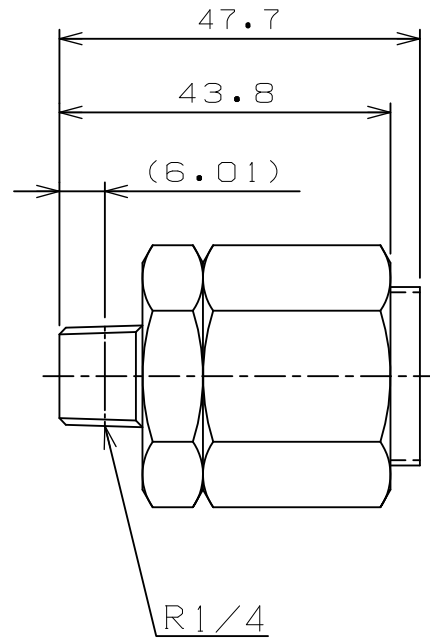
TITLE	KANTOUCH
MODEL	TH12-1/2-BorS



リングP11

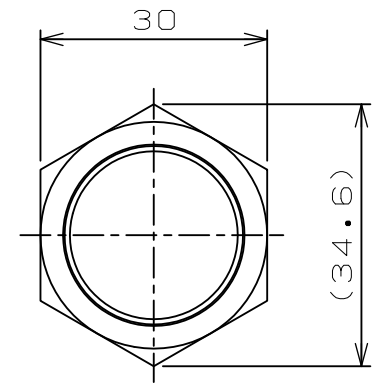
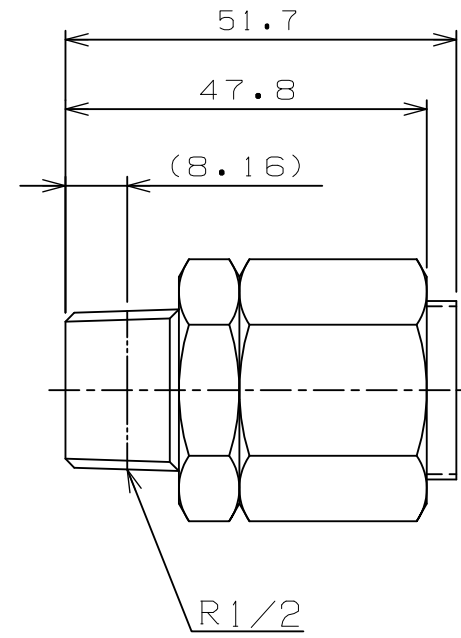
TITLE	KANTOUCH
MODEL	TH12-3/8-BorS

TH12-BorS		RGL JOINT CO., LTD	
DATE	01, 11, 12	A3	1/1



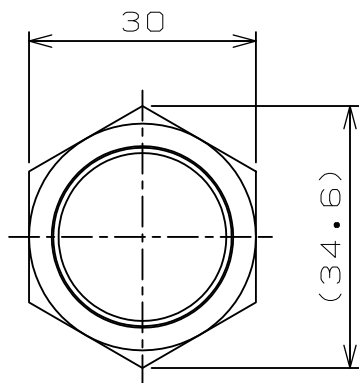
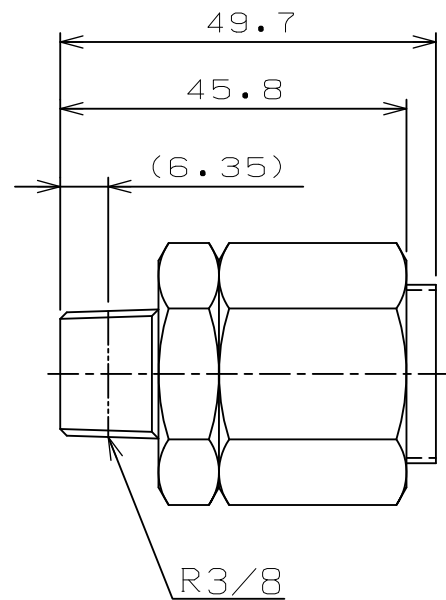
リングP16

TITLE	KANTOUCH
MODEL	TH15-1/4-BorS



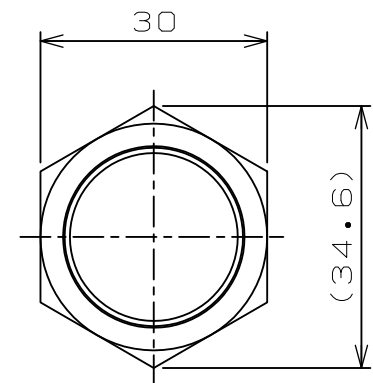
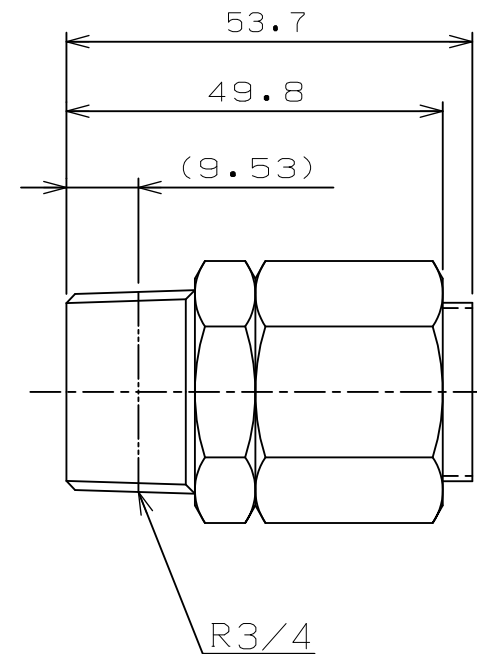
リングP16

TITLE	KANTOUCH
MODEL	TH15-1/2-BorS



リングP16

TITLE	KANTOUCH
MODEL	TH15-3/8-BorS



リングP16

TITLE	KANTOUCH
MODEL	TH15-3/4-BorS

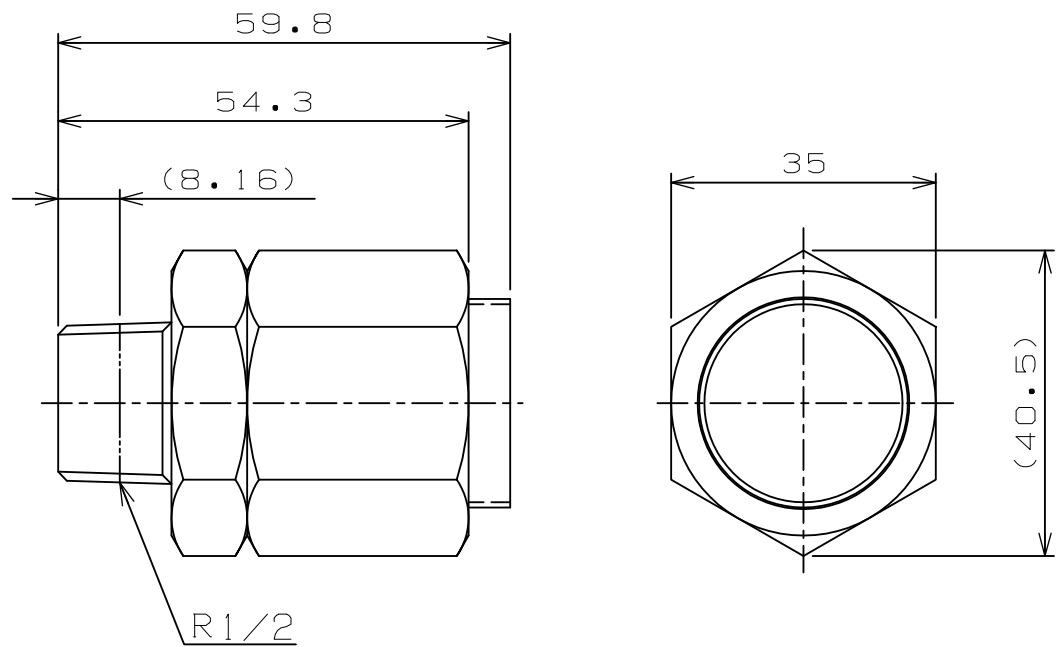
TH15-BorS

DATE 01, 11, 15

RGL JOINT CO., LTD

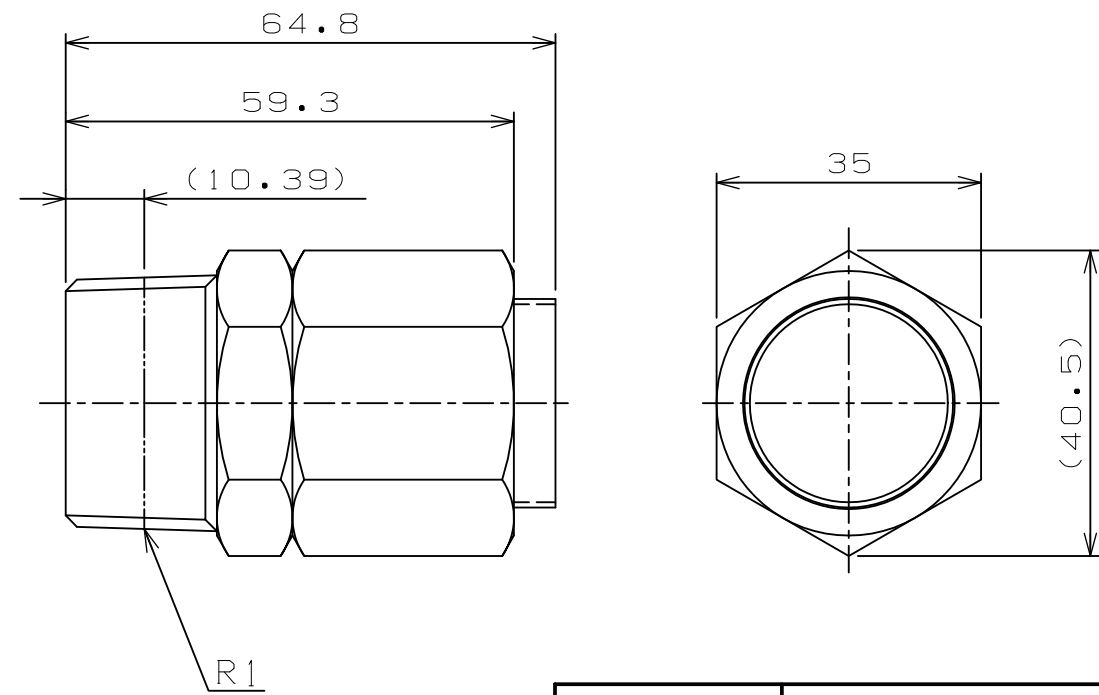
A3

1/1



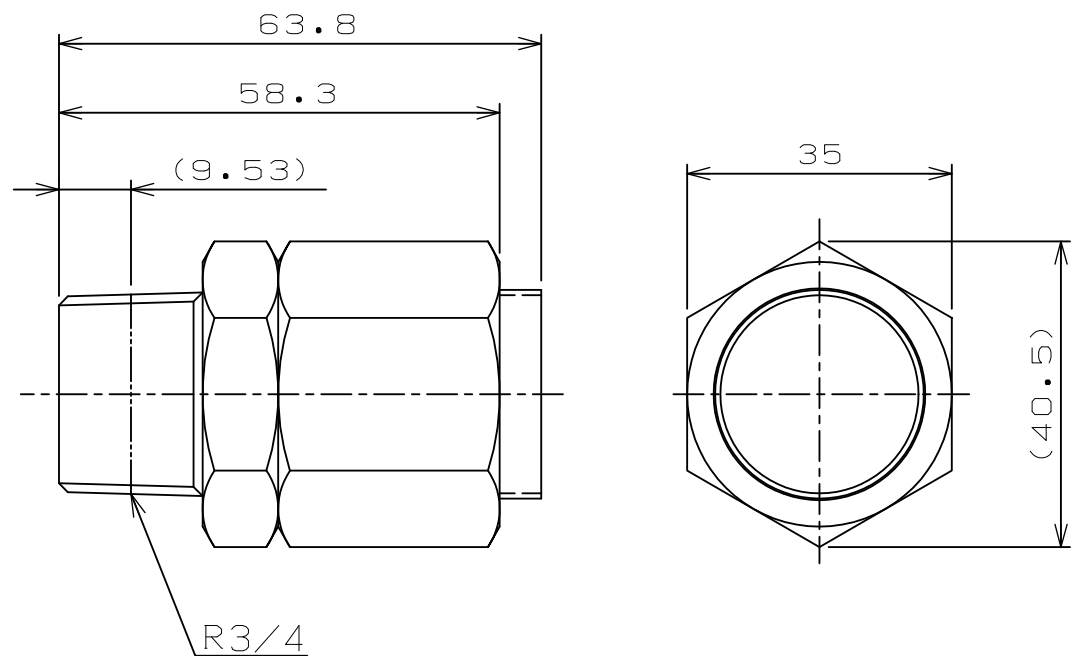
リングP20

TITLE	KANTOUCH
MODEL	TH19-1/2-BorS



リングP20

TITLE	KANTOUCH
MODEL	TH19-1-BorS



リングP20

TITLE	KANTOUCH
MODEL	TH19-3/4-BorS

リングP20

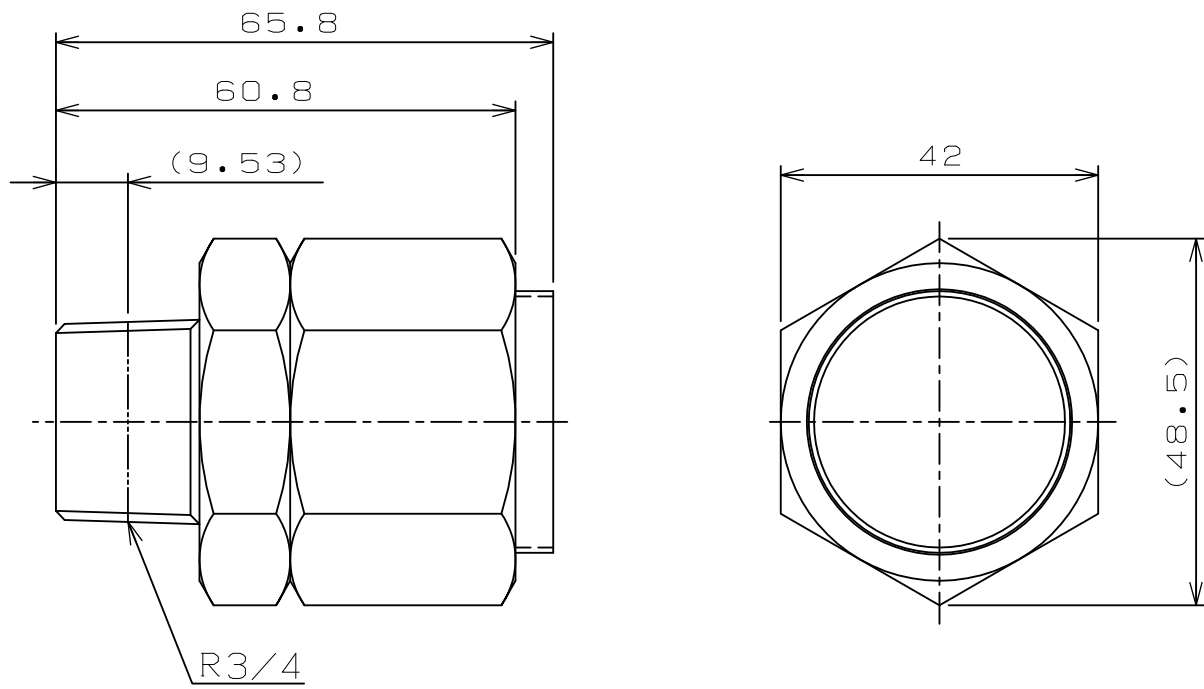
TH19-BorS

RGL JOINT CO., LTD

DATE 01, 11, 15

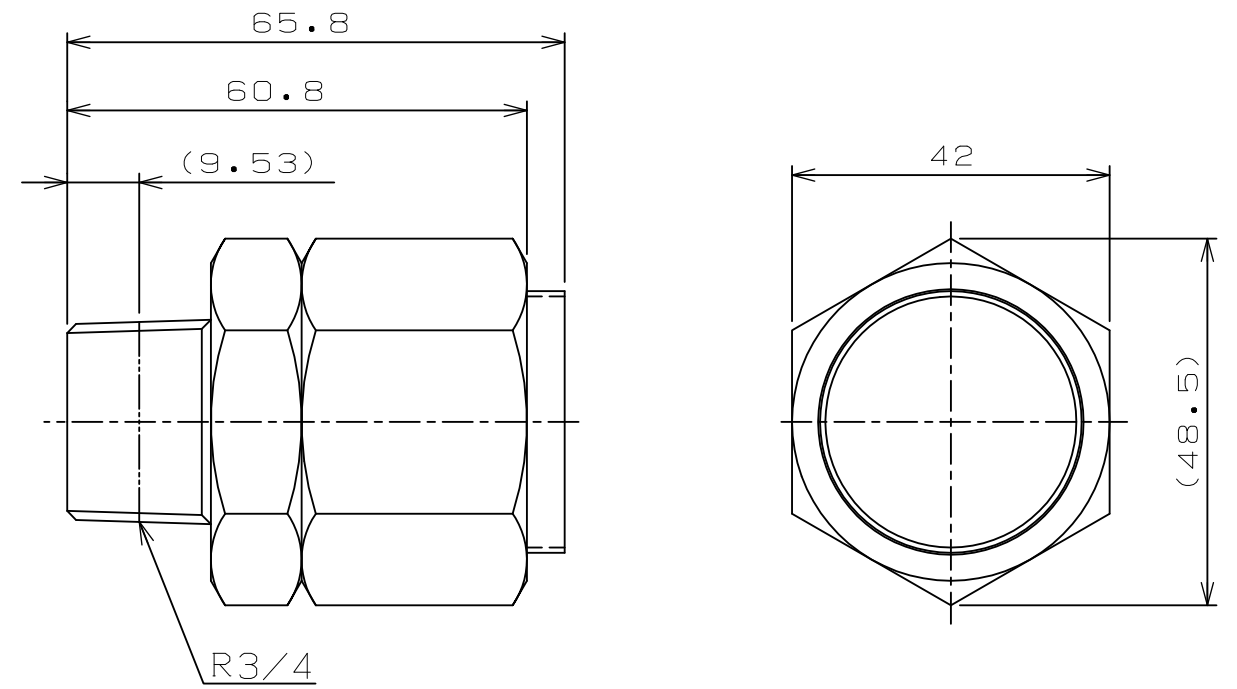
A3

1/1



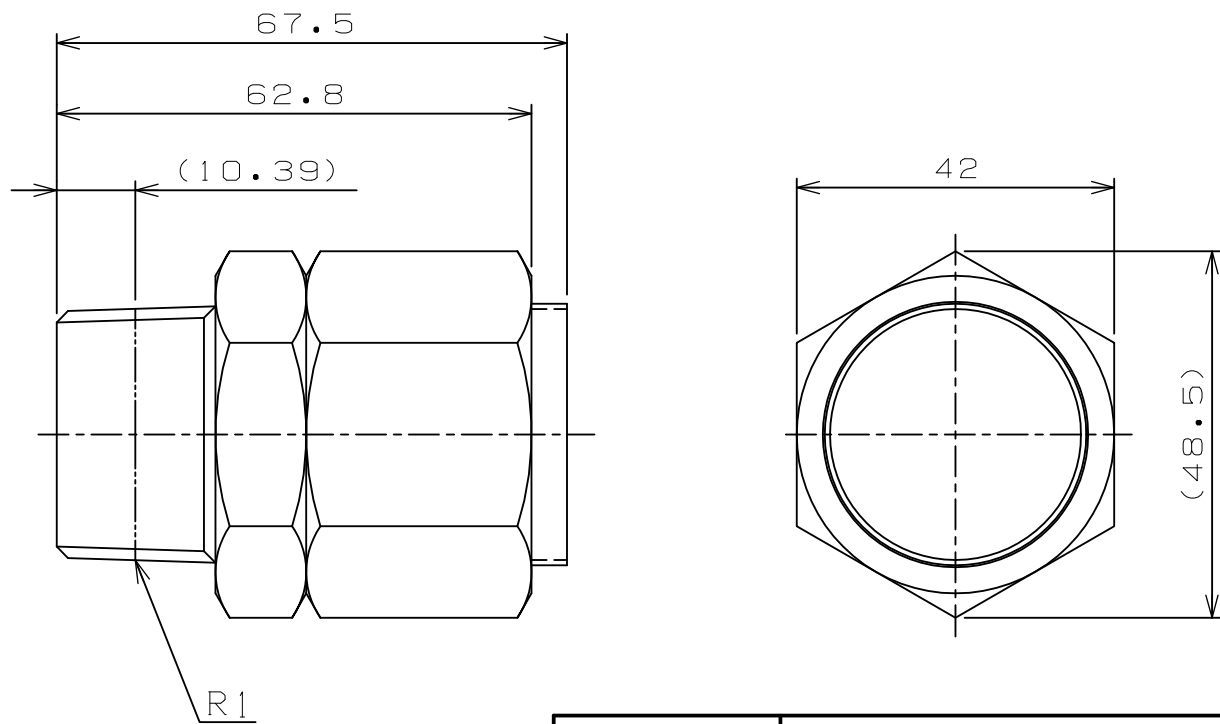
リングP24

TITLE	KANTOUCH
MODEL	TH25-3/4-B



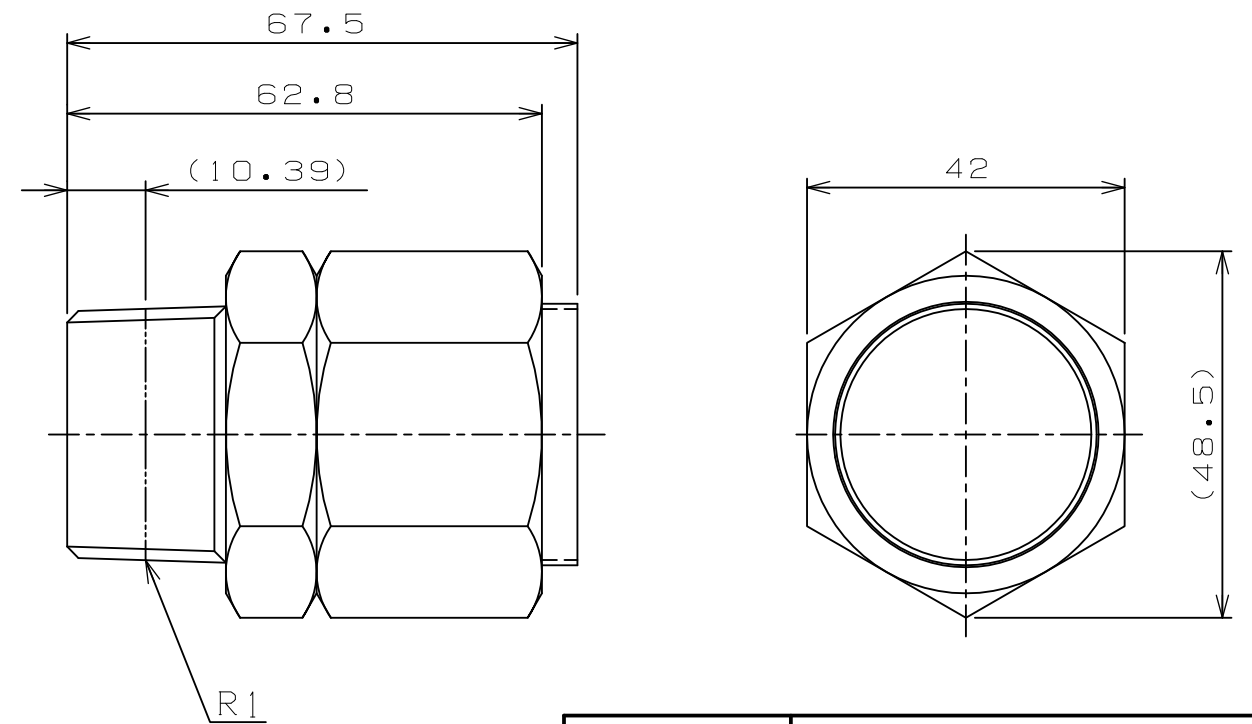
リングP24

TITLE	KANTOUCH
MODEL	TH25-3/4-S



リングP24

TITLE	KANTOUCH
MODEL	TH25-1-B



リングP24

TITLE	KANTOUCH
MODEL	TH25-1-S

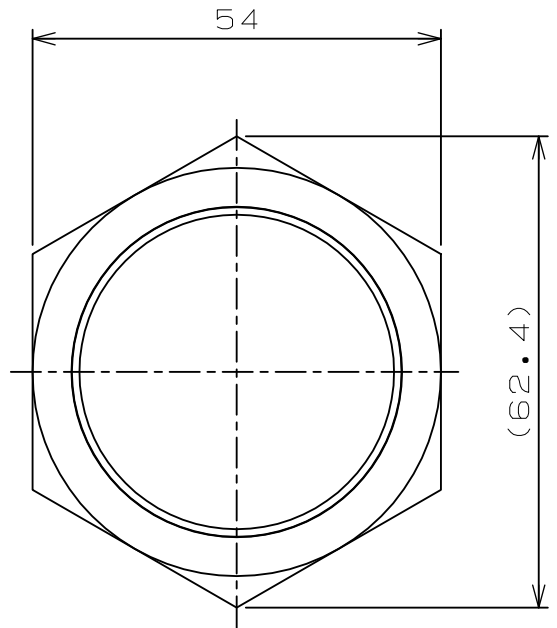
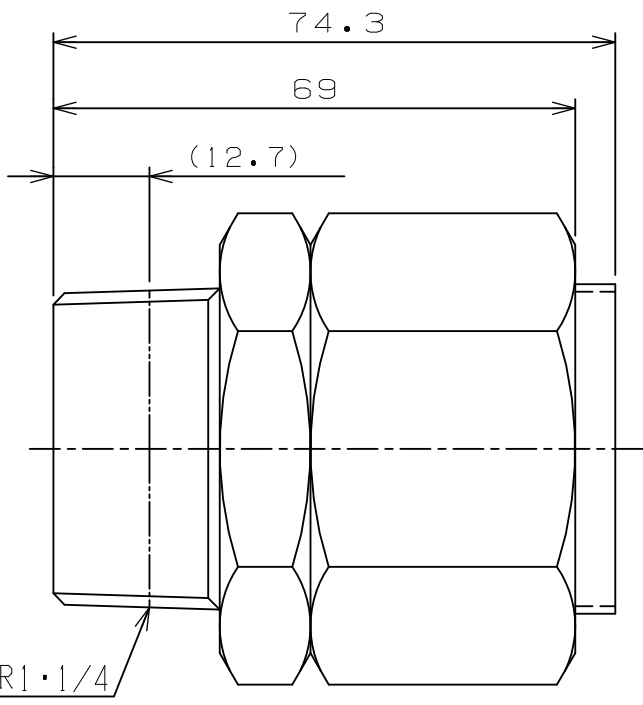
TH25-B, S

DATE 01, 11, 15

RGL JOINT CO., LTD

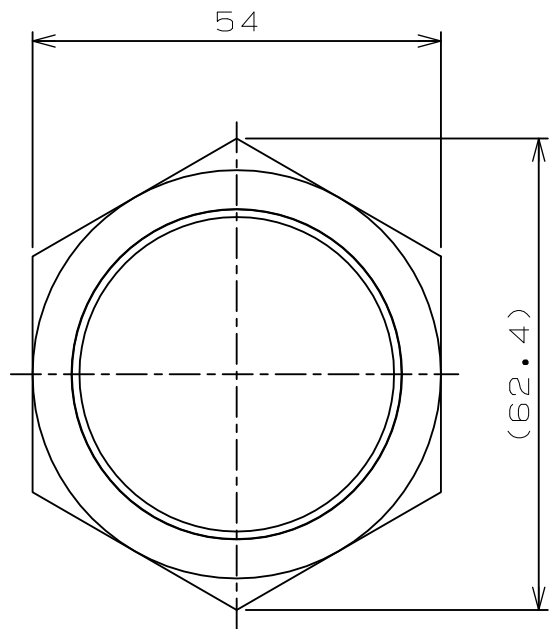
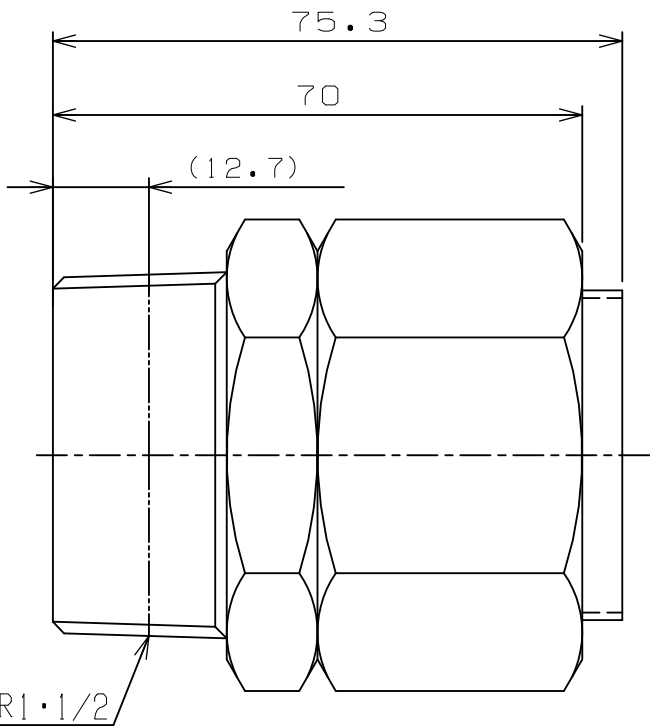
A3

1/1



リングP32

TITLE	KANTOUCH
MODEL	TH32-1・1/4-BorS



リングP32

TITLE	KANTOUCH
MODEL	TH32-1・1/2-BorS

TH32-BorS

RGL JOINT CO., LTD

DATE 01, 11, 15

A4

1/1