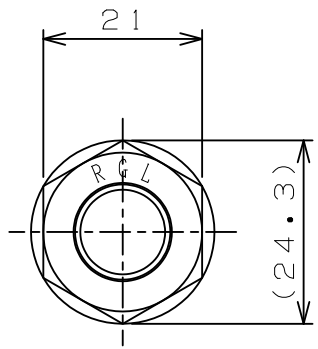
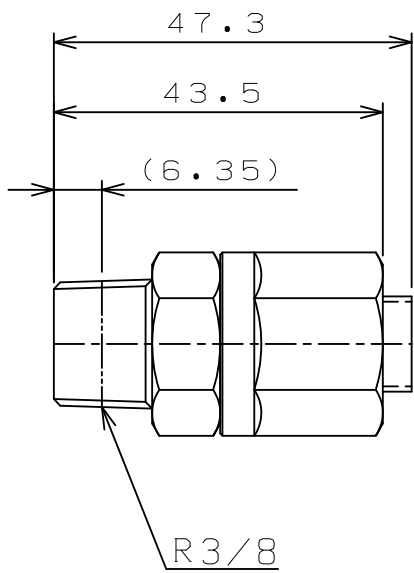
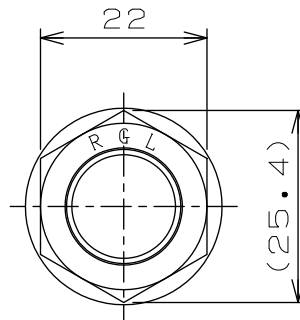
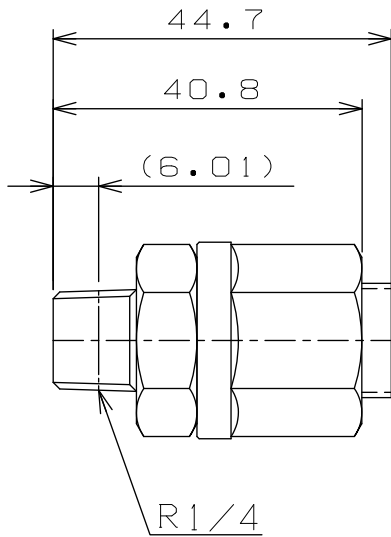


| | |
|-------|--------------|
| TITLE | KANTOUCH-J |
| MODEL | JH6-1/4-BorS |

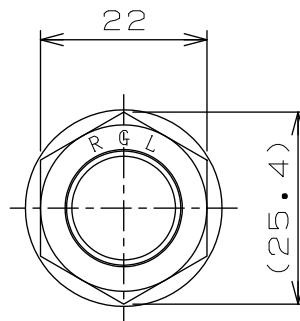
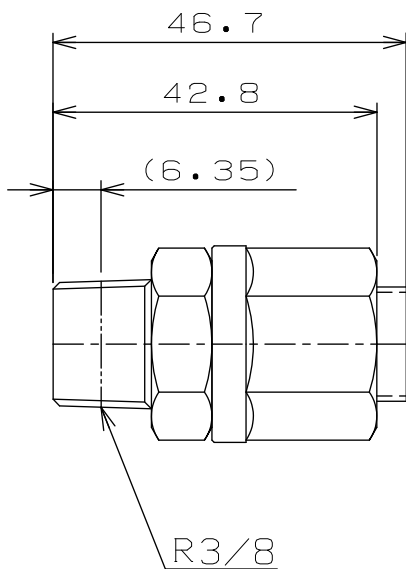


| | |
|-------|--------------|
| TITLE | KANTOUCH-J |
| MODEL | JH6-3/8-BorS |

| | | | |
|----------|-----------|--------------------|-----|
| JH6-BorS | | RGL JOINT CO., LTD | |
| DATE | 03, 5, 14 | A4 | 1/1 |



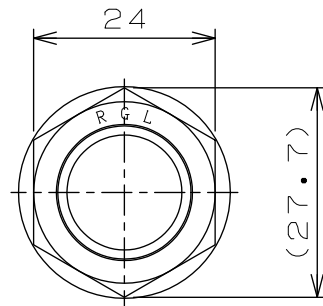
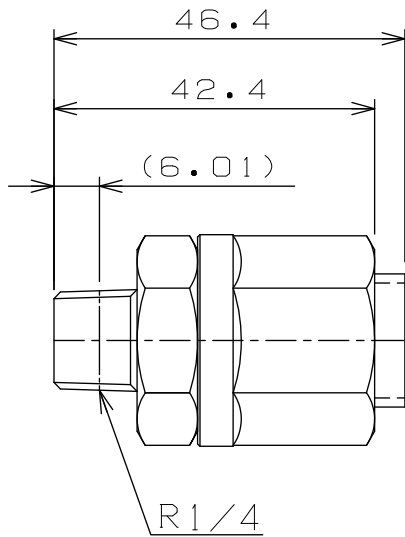
| | |
|-------|--------------|
| TITLE | KANTOUCH-J |
| MODEL | JH8-1/4-BorS |



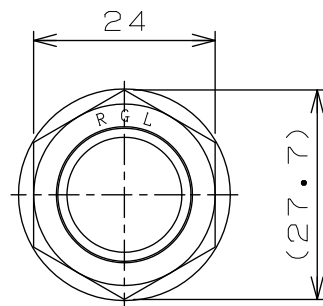
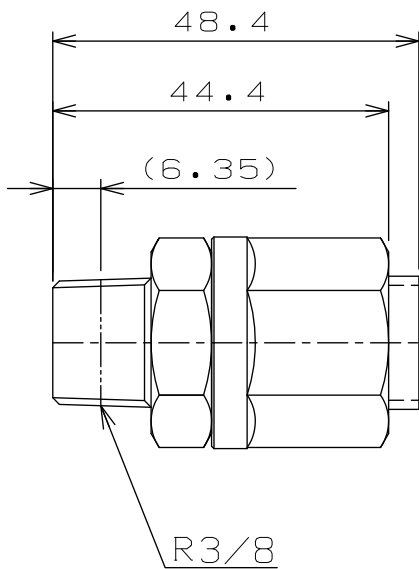
| | |
|-------|--------------|
| TITLE | KANTOUCH-J |
| MODEL | JH8-3/8-BorS |

| | | | |
|----------|--------------------|--|--|
| JH8-BorS | RGL JOINT CO., LTD | | |
|----------|--------------------|--|--|

| | | | |
|------|-----------|----|-----|
| DATE | 03, 5, 14 | A4 | 1/1 |
|------|-----------|----|-----|



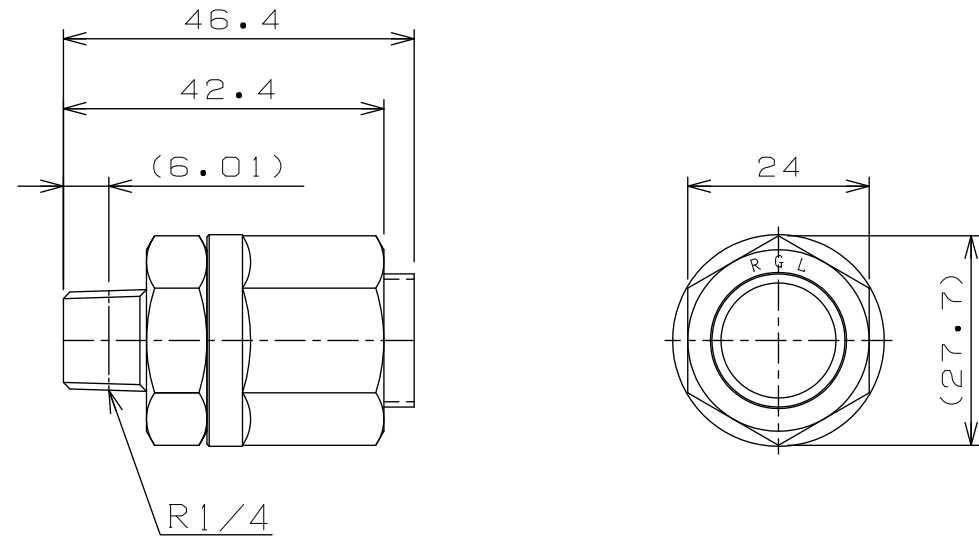
| | |
|-------|--------------|
| TITLE | KANTOUCH-J |
| MODEL | JH9-1/4-BorS |



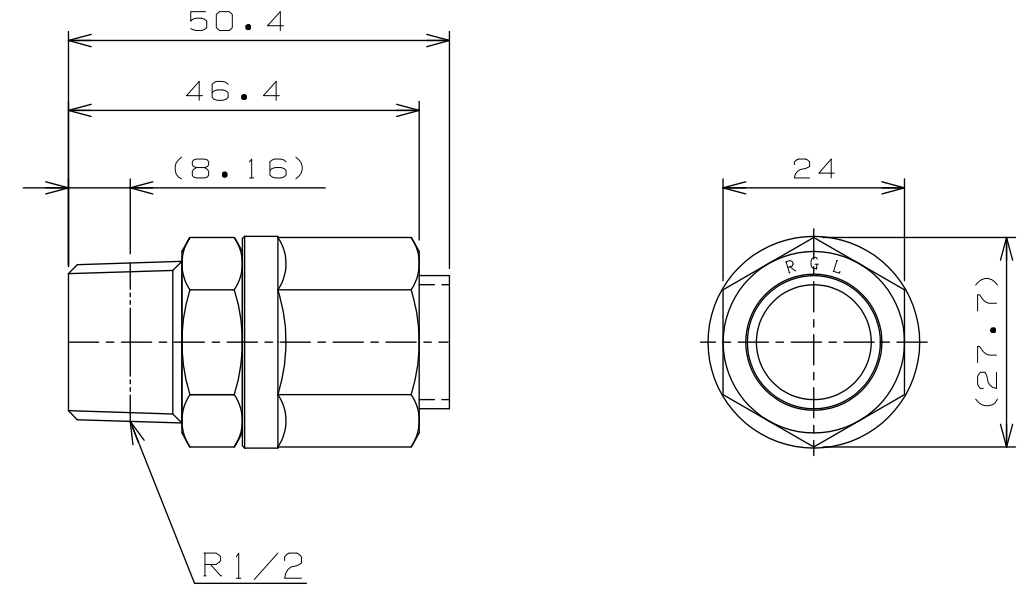
| | |
|-------|--------------|
| TITLE | KANTOUCH-J |
| MODEL | JH9-3/8-BorS |

| | |
|----------|--------------------|
| JH9-BorS | RGL JOINT CO., LTD |
|----------|--------------------|

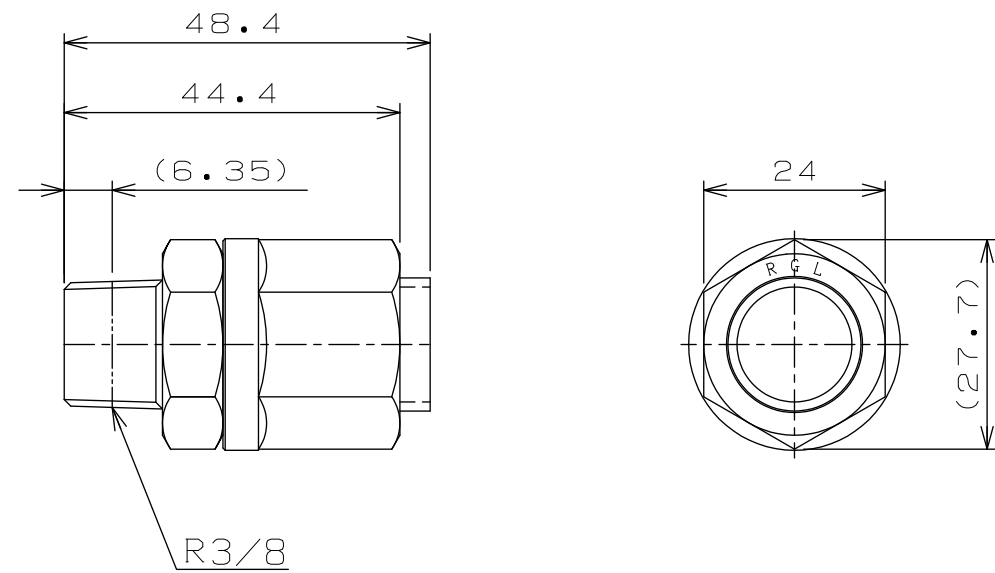
| | | | |
|------|-----------|----|-----|
| DATE | 03, 5, 14 | A4 | 1/1 |
|------|-----------|----|-----|



| | |
|-------|---------------|
| TITLE | KANTOUCH-J |
| MODEL | JH10-1/4-BorS |



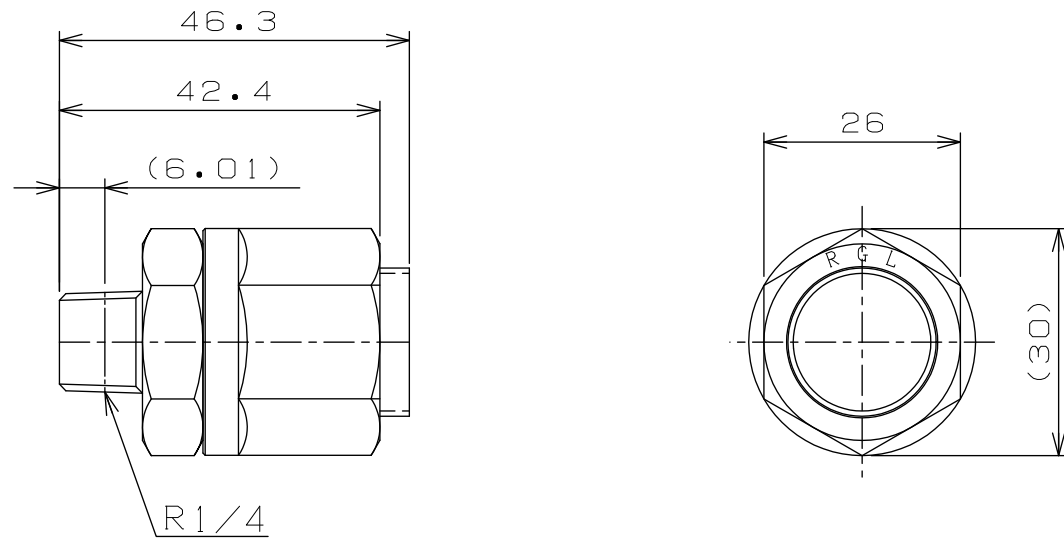
| | |
|-------|---------------|
| TITLE | KANTOUCH-J |
| MODEL | JH10-1/2-BorS |



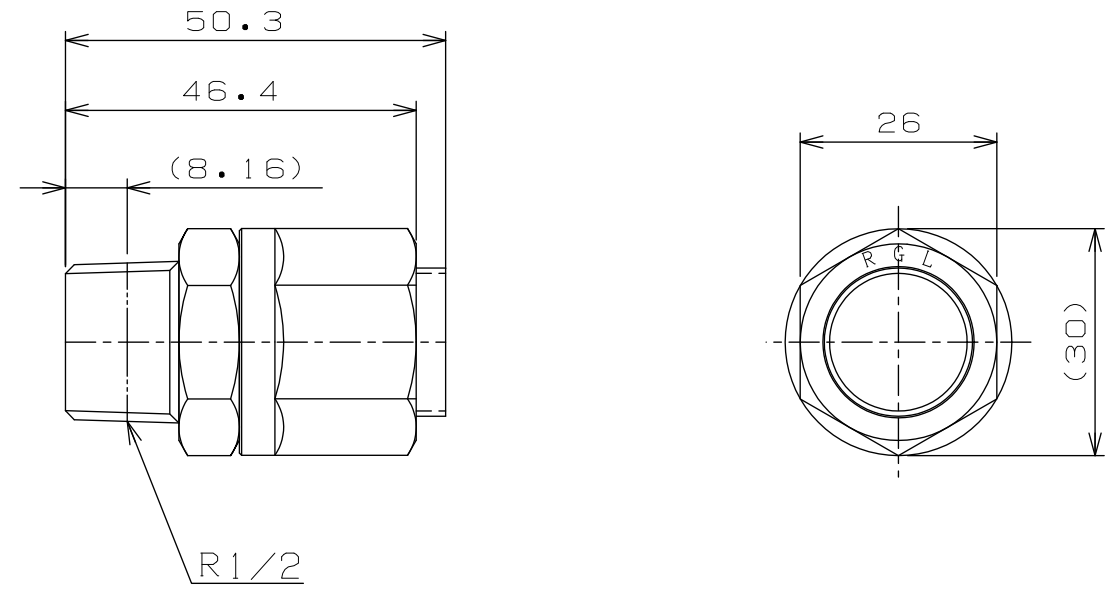
| | |
|-------|---------------|
| TITLE | KANTOUCH-J |
| MODEL | JH10-3/8-BorS |

| | |
|--|--|
| | |
| | |

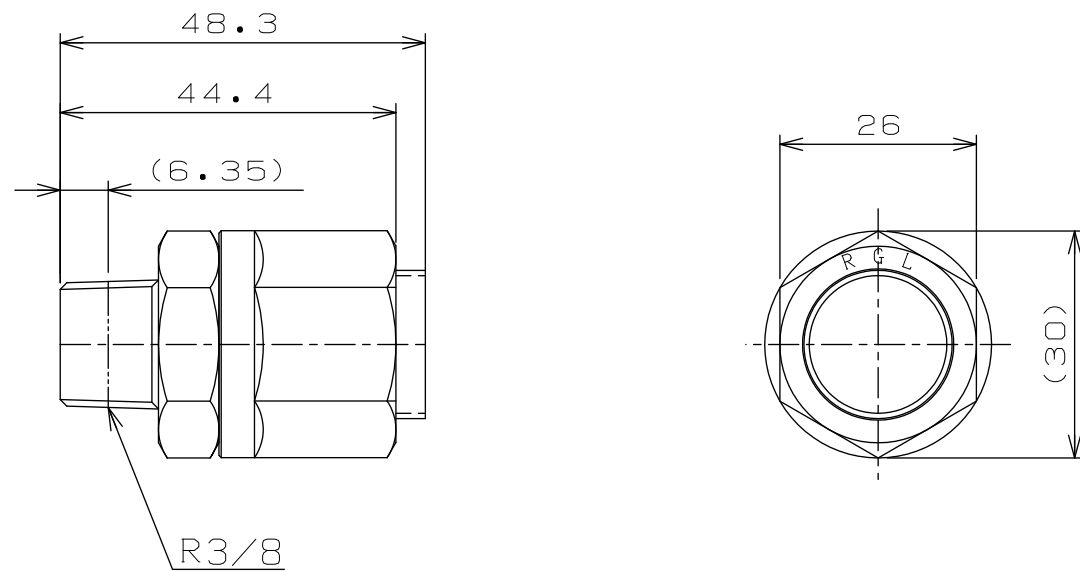
| | | | |
|-----------|-----------|--------------------|-----|
| JH10-BorS | | RGL JOINT CO., LTD | |
| DATE | 03, 5, 14 | A3 | 1/1 |



| | |
|-------|---------------|
| TITLE | KANTOUCH-J |
| MODEL | JH12-1/4-BorS |



| | |
|-------|---------------|
| TITLE | KANTOUCH-J |
| MODEL | JH12-1/2-BorS |



| | |
|-------|---------------|
| TITLE | KANTOUCH-J |
| MODEL | JH12-3/8-BorS |

| | |
|--|--|
| | |
| | |

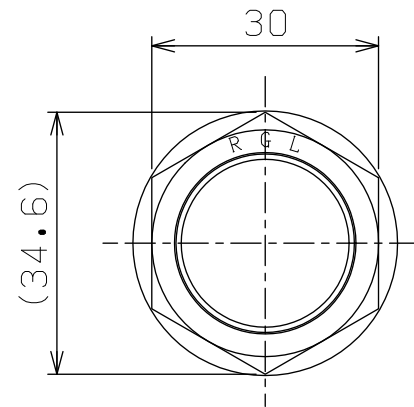
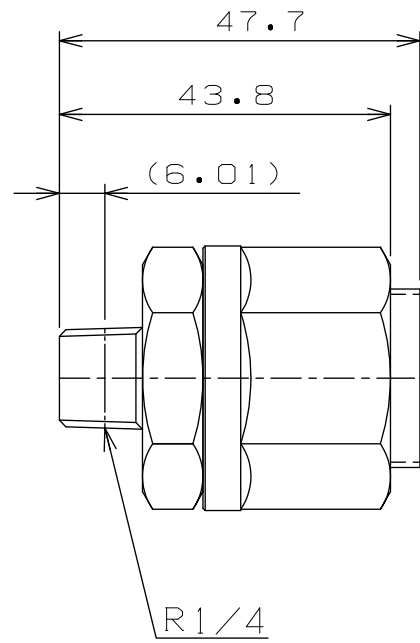
JH12-BorS

RGL JOINT CO., LTD

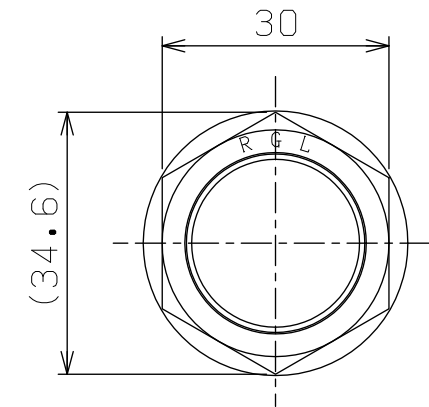
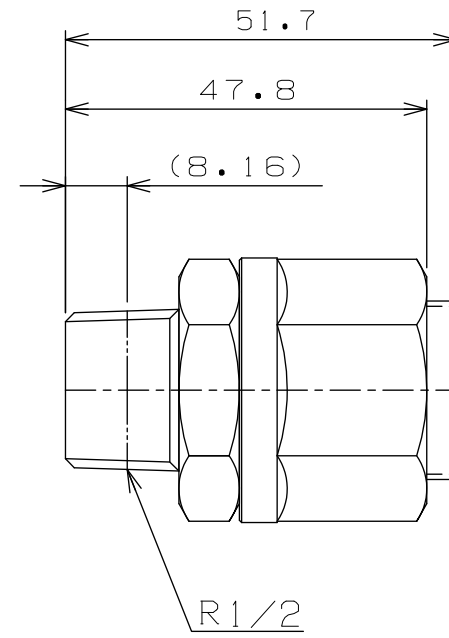
DATE 03, 5, 14

A3

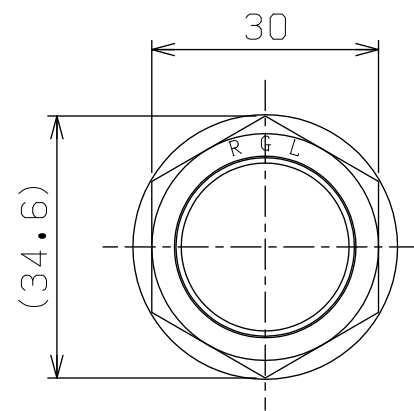
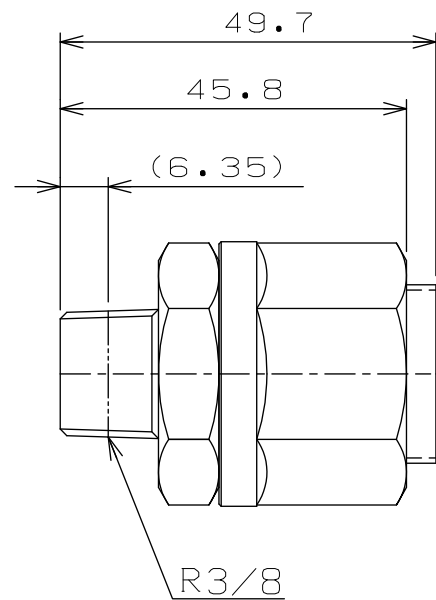
1/1



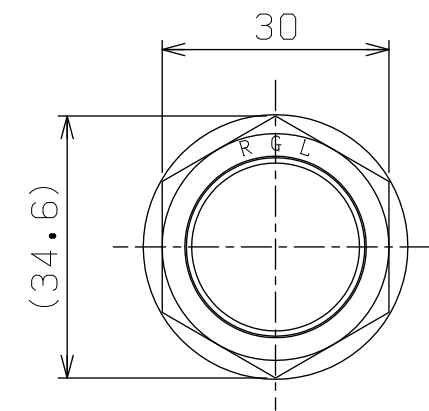
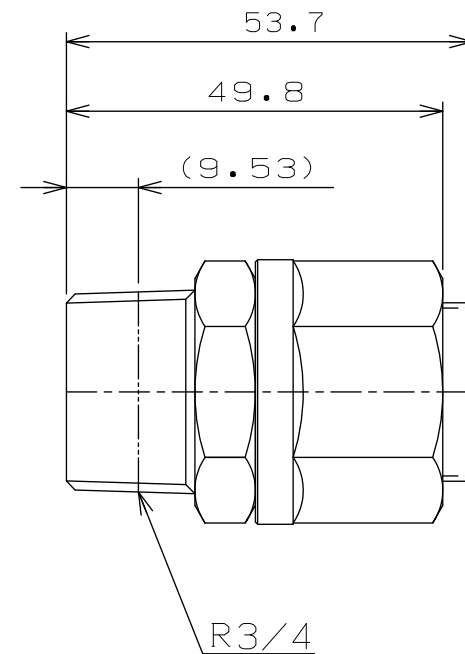
| | |
|-------|---------------|
| TITLE | KANTOUCH-J |
| MODEL | JH15-1/4-BorS |



| | |
|-------|---------------|
| TITLE | KANTOUCH-J |
| MODEL | JH15-1/2-BorS |



| | |
|-------|---------------|
| TITLE | KANTOUCH-J |
| MODEL | JH15-3/8-BorS |



| | |
|-------|---------------|
| TITLE | KANTOUCH-J |
| MODEL | JH15-3/4-BorS |

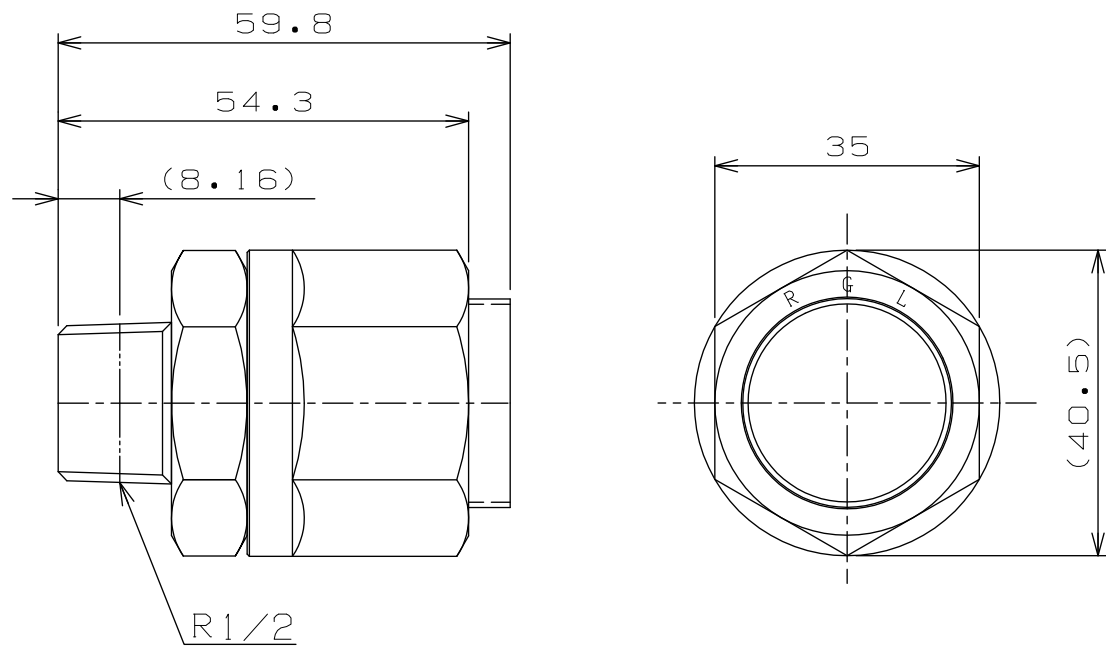
JH15-BorS

DATE 03, 5, 14

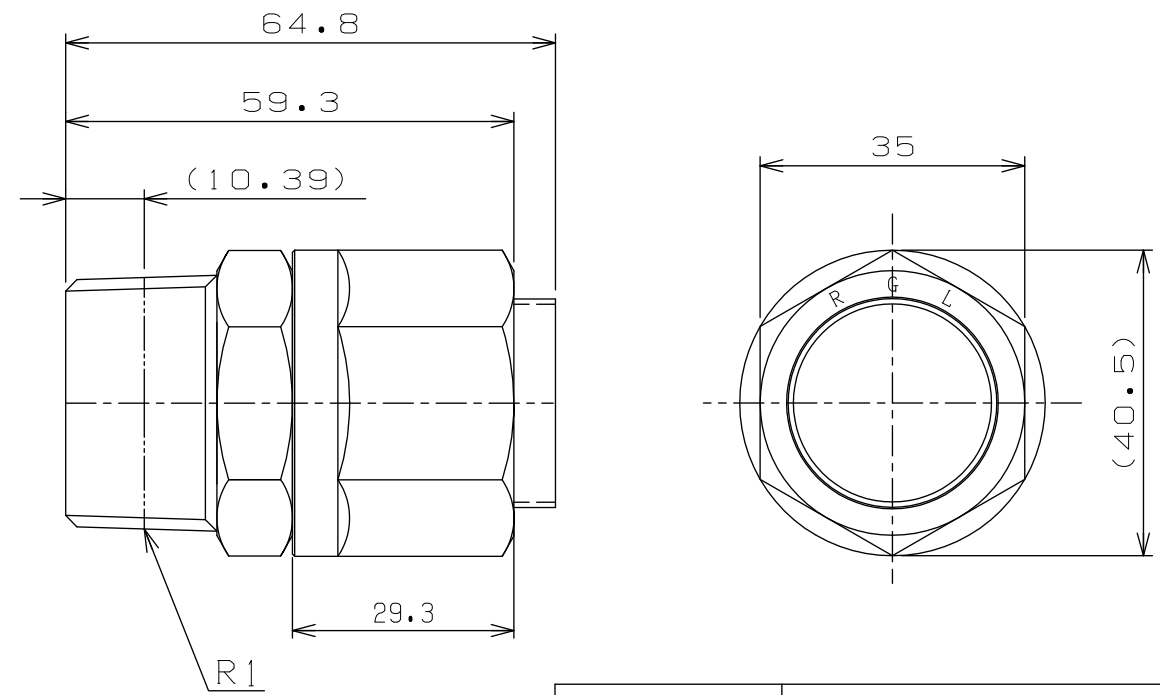
RGL JOINT CO., LTD

A3

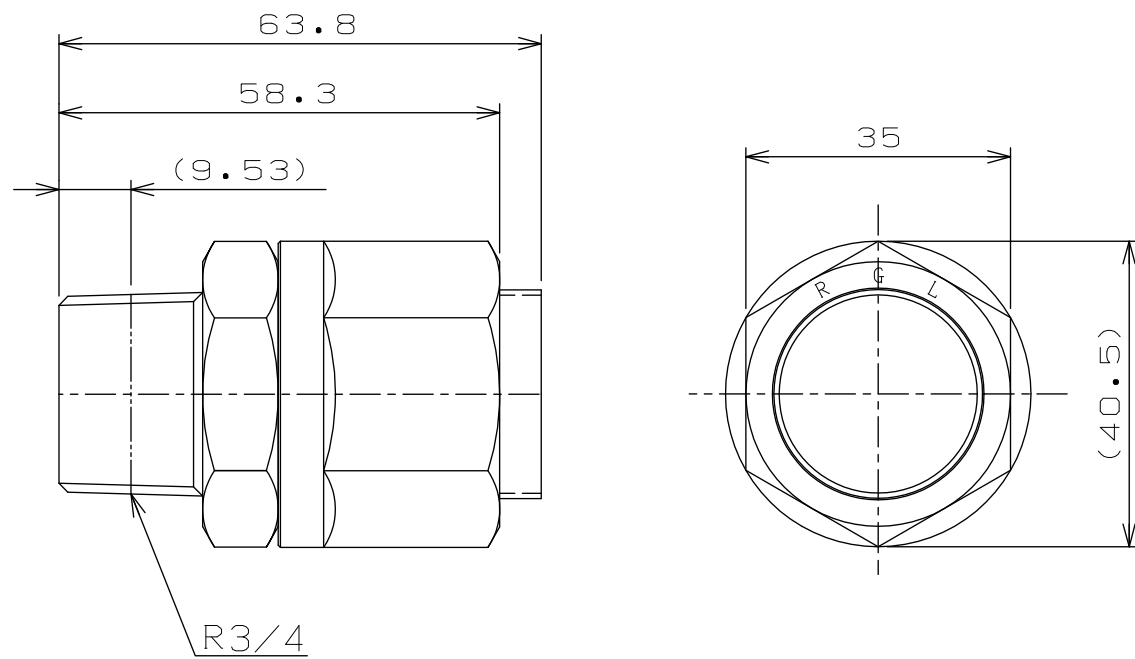
1/1



| | |
|-------|---------------|
| TITLE | KANTOUCH-J |
| MODEL | JH19-1/2-BorS |



| | |
|-------|-------------|
| TITLE | KANTOUCH-J |
| MODEL | JH19-1-BorS |



| | |
|-------|---------------|
| TITLE | KANTOUCH-J |
| MODEL | JH19-3/4-BorS |

| | |
|--|--|
| | |
| | |

JH19-BorS

RGL JOINT CO., LTD

DATE 03, 5, 14

A3

1/1

RGL JOINT