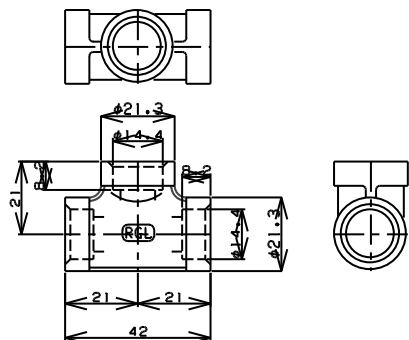
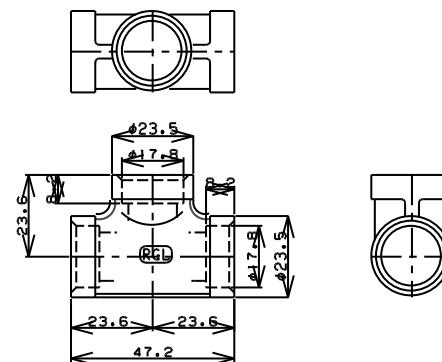


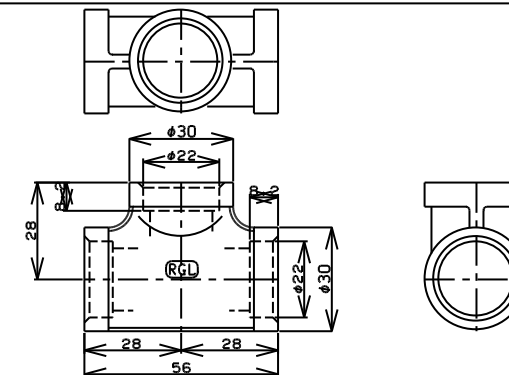
TITLE 溶接用テイス  
MODEL R-2B-1/8



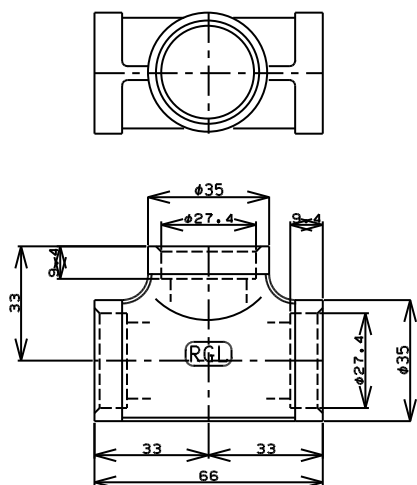
TITLE 溶接用テイス  
MODEL R-2B-1/4



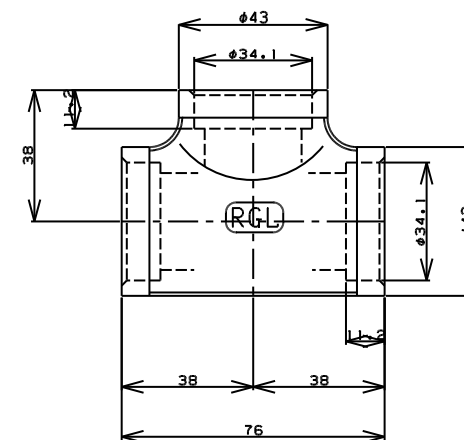
TITLE 溶接用テイス  
MODEL R-2B-3/8



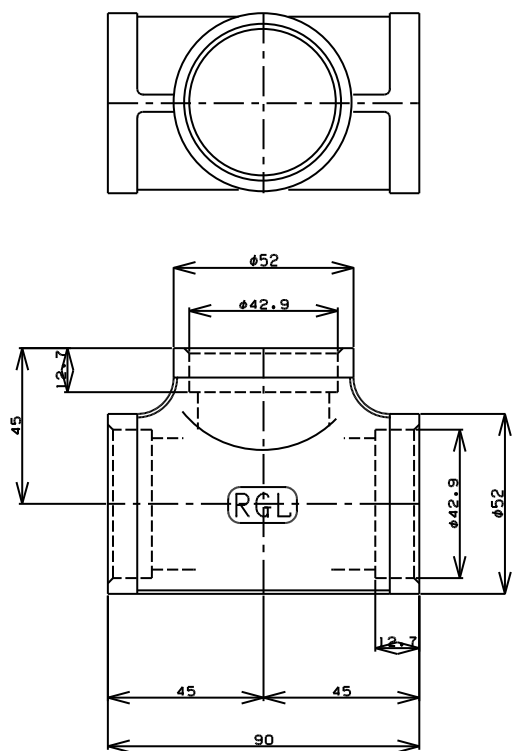
TITLE 溶接用テイス  
MODEL R-2B-1/2



TITLE 溶接用テイス  
MODEL R-2B-3/4

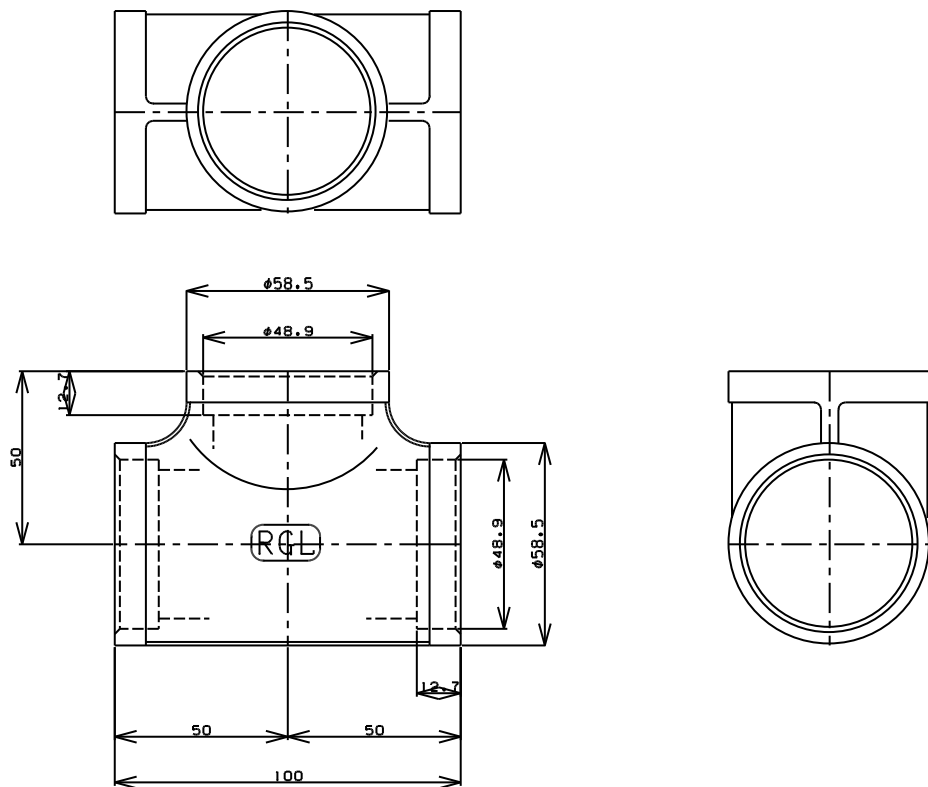


TITLE 溶接用テイス  
MODEL R-2B-1

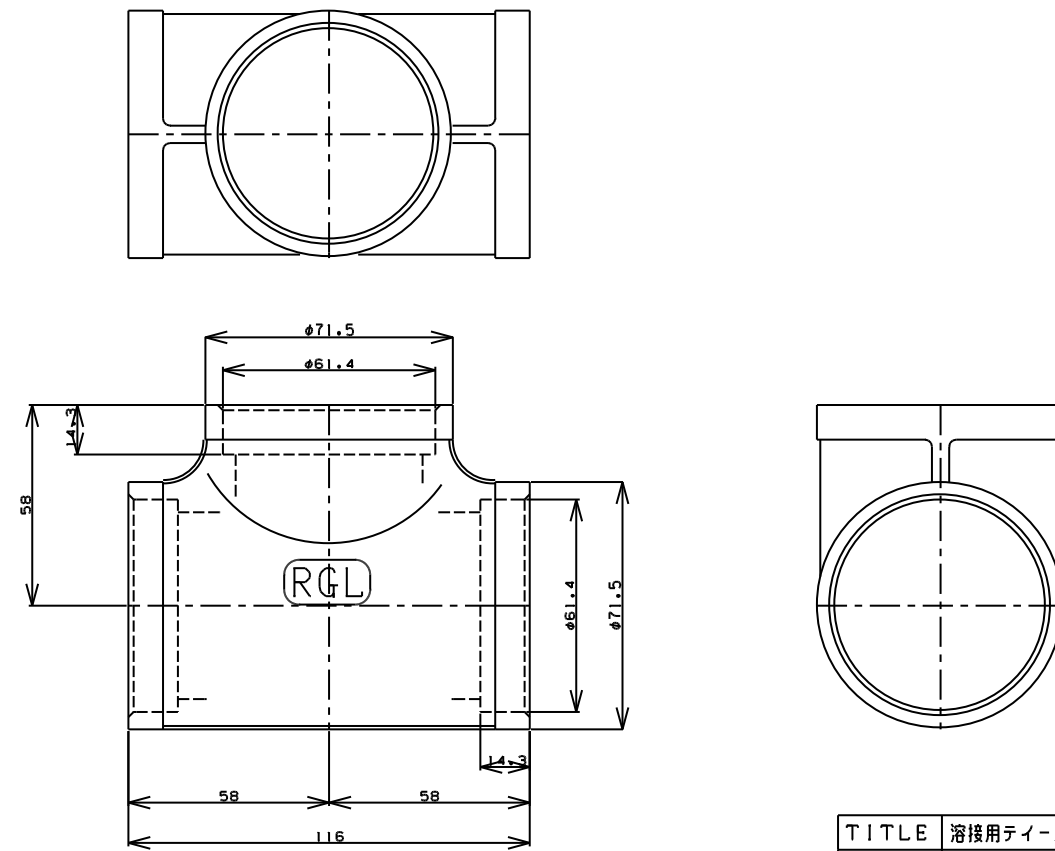


TITLE 溶接用テイス  
MODEL R-2B-1-1/4

|                |                    |     |
|----------------|--------------------|-----|
| CAD DATA       | RGL JOINT CO., LTD |     |
| DATE 07, 3, 31 | AI                 | 1/1 |



|       |            |
|-------|------------|
| TITLE | 溶接用テイス     |
| MODEL | R-2B-1-1/2 |



|       |        |
|-------|--------|
| TITLE | 溶接用テイス |
| MODEL | R-2B-2 |

|          |                    |        |
|----------|--------------------|--------|
| CAD DATA | RGL JOINT CO., LTD |        |
| DATE     | 07, 3, 31          | AI 1/1 |

RGL JOINT