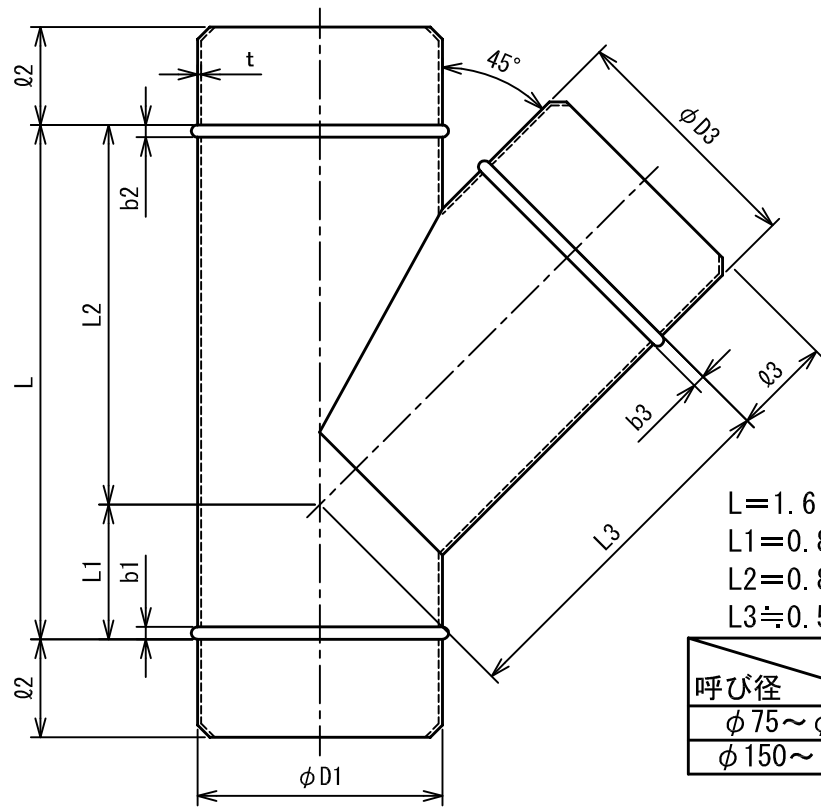


| 呼び径 | | 板厚 | L | L1 | L2 | L3 |
|-----|-----|-----|-------|-------|-------|-----|
| D1 | D3 | t | | | | |
| 75 | 75 | 0.6 | 220 | 72.5 | 147.5 | 140 |
| 100 | 75 | 0.6 | 220 | 60.0 | 160.0 | 160 |
| | 100 | 0.6 | 260 | 80.0 | 180.0 | 170 |
| 125 | 75 | 0.6 | 220 | 47.5 | 172.5 | 180 |
| | 100 | 0.6 | 260 | 67.5 | 192.5 | 190 |
| 150 | 75 | 0.6 | 220 | 35.0 | 185.0 | 195 |
| | 100 | 0.6 | 260 | 55.0 | 205.0 | 210 |
| | 125 | 0.6 | 300 | 75.0 | 225.0 | 220 |
| | 150 | 0.6 | 340 | 95.0 | 245.0 | 235 |
| 175 | 75 | 0.6 | 220 | 22.5 | 197.5 | 215 |
| | 100 | 0.6 | 260 | 42.5 | 217.5 | 225 |
| | 125 | 0.6 | 300 | 62.5 | 237.5 | 240 |
| | 150 | 0.6 | 340 | 82.5 | 257.5 | 250 |
| 200 | 100 | 0.6 | 260 | 30.0 | 230.0 | 245 |
| | 125 | 0.6 | 300 | 50.0 | 250.0 | 255 |
| | 150 | 0.6 | 340 | 70.0 | 270.0 | 270 |
| | 175 | 0.6 | 380 | 90.0 | 290.0 | 280 |
| 225 | 200 | 0.6 | 420 | 110.0 | 310.0 | 295 |
| | 100 | 0.6 | 260 | 17.5 | 242.5 | 260 |
| | 125 | 0.6 | 300 | 37.5 | 262.5 | 275 |
| | 150 | 0.6 | 340 | 57.5 | 282.5 | 285 |
| | 175 | 0.6 | 380 | 77.5 | 302.5 | 300 |
| 250 | 200 | 0.6 | 420 | 97.5 | 322.5 | 310 |
| | 225 | 0.6 | 460 | 117.5 | 342.5 | 325 |
| | 100 | 0.6 | 260 | 5.0 | 255.0 | 280 |
| | 125 | 0.6 | 300 | 25.0 | 275.0 | 290 |
| | 150 | 0.6 | 340 | 45.0 | 295.0 | 305 |
| | 175 | 0.6 | 380 | 65.0 | 315.0 | 312 |
| 275 | 200 | 0.6 | 420 | 85.0 | 335.0 | 330 |
| | 225 | 0.6 | 460 | 105.0 | 355.0 | 340 |
| | 250 | 0.6 | 500 | 125.0 | 375.0 | 355 |
| | 100 | 0.6 | 260 | -7.5 | 267.5 | 295 |
| | 125 | 0.6 | 300 | 12.5 | 287.5 | 310 |
| | 150 | 0.6 | 340 | 32.5 | 307.5 | 320 |
| | 175 | 0.6 | 380 | 52.5 | 327.5 | 335 |
| | 200 | 0.6 | 420 | 72.5 | 347.5 | 345 |
| | 225 | 0.6 | 460 | 92.5 | 367.5 | 360 |
| | 250 | 0.6 | 500 | 112.5 | 387.5 | 370 |
| 275 | 0.6 | 540 | 132.5 | 407.5 | 385 | |

| 呼び径 D | 外径公差 | 長さ公差 (b、L、ℓ) |
|------------|-----------|--------------|
| φ75~φ700 | -1.2~-1.9 | 0~+1 |
| φ750~φ1000 | -2.0~-2.2 | 0~+1 |

平成22年度版/公共建築工事標準仕様書に準じています。



$$L = 1.6 \times D3 + 100$$

$$L1 = 0.8 \times D3 + 50 - 0.5 \times D1$$

$$L2 = 0.8 \times D3 + 50 + 0.5 \times D1$$

$$L3 = 0.5 \times D3 + 50 + 0.71 \times D1$$

| 呼び径 | 区分 | 呼び径 D1-D3 | |
|-----------|----|-----------|----------|
| | | ℓ1・ℓ2・ℓ3 | b1・b2・b3 |
| φ75~φ125 | | 60 | 8 |
| φ150~φ300 | | 60 | 10 |

単位：mm

| 呼び径 | 板厚 | L | L1 | L2 | L3 | |
|-----|-----|-----|-----|-------|-------|-----|
| | | | | | | D1 |
| 300 | 100 | 0.6 | 260 | -20.0 | 280.0 | 315 |
| | 125 | 0.6 | 300 | 0 | 300.0 | 325 |
| | 150 | 0.6 | 340 | 20.0 | 320.0 | 340 |
| | 175 | 0.6 | 380 | 40.0 | 340.0 | 350 |
| | 200 | 0.6 | 420 | 60.0 | 360.0 | 365 |
| | 225 | 0.6 | 460 | 80.0 | 380.0 | 375 |
| | 250 | 0.6 | 500 | 100.0 | 400.0 | 390 |
| | 275 | 0.6 | 540 | 120.0 | 420.0 | 400 |
| | 300 | 0.6 | 580 | 140.0 | 440.0 | 415 |

※材質：亜鉛鋼板

| | | | |
|----|----------|---------|--|
| △ | ・ | ・ | |
| △ | ・ | ・ | |
| △ | 2011.4.1 | 仕様書年度変更 | |
| 記号 | 年月日 | 備考 | |

| | | | | | |
|---------------------------------------------------------------------------------------------------------|--------------|----|------|----|------------|
| 名称 | Y管 | | | | |
| 型式 | Y (φ75~φ300) | | | | |
| 承認 | 検図 | 製図 | 尺度 | 図番 | 08-211030 |
| | 橋本 | 工藤 | FREE | 図法 | 三角法 |
| | | | | 日附 | 2008.11.28 |
|  株式会社 深川製作所 | | | | | |

| 呼び径 | | 板厚 | L | L1 | L2 | L3 |
|-----|-----|-----|-------|-------|-------|-----|
| D1 | D3 | t | | | | |
| 325 | 200 | 0.8 | 420 | 47.5 | 372.5 | 380 |
| | 225 | 0.8 | 460 | 67.5 | 392.5 | 395 |
| | 250 | 0.8 | 500 | 87.5 | 412.5 | 405 |
| | 275 | 0.8 | 540 | 107.5 | 432.5 | 420 |
| | 300 | 0.8 | 580 | 127.5 | 452.5 | 430 |
| | 325 | 0.8 | 620 | 147.5 | 472.5 | 445 |
| 350 | 200 | 0.8 | 420 | 35.0 | 385.0 | 400 |
| | 225 | 0.8 | 460 | 55.0 | 405.0 | 415 |
| | 250 | 0.8 | 500 | 75.0 | 425.0 | 425 |
| | 275 | 0.8 | 540 | 95.0 | 445.0 | 440 |
| | 300 | 0.8 | 580 | 115.0 | 465.0 | 450 |
| | 325 | 0.8 | 620 | 135.0 | 485.0 | 465 |
| 350 | 0.8 | 660 | 155.0 | 505.0 | 475 | |
| 375 | 250 | 0.8 | 500 | 62.5 | 437.5 | 445 |
| | 275 | 0.8 | 540 | 82.5 | 457.5 | 455 |
| | 300 | 0.8 | 580 | 102.5 | 477.5 | 470 |
| | 325 | 0.8 | 620 | 122.5 | 497.5 | 480 |
| | 350 | 0.8 | 660 | 142.5 | 517.5 | 495 |
| | 375 | 0.8 | 700 | 162.5 | 537.5 | 505 |
| 400 | 300 | 0.8 | 580 | 90.0 | 490.0 | 485 |
| | 325 | 0.8 | 620 | 110.0 | 510.0 | 500 |
| | 350 | 0.8 | 660 | 130.0 | 530.0 | 510 |
| | 375 | 0.8 | 700 | 150.0 | 550.0 | 525 |
| | 400 | 0.8 | 740 | 170.0 | 570.0 | 535 |
| 450 | 325 | 0.8 | 620 | 85.0 | 535.0 | 535 |
| | 350 | 0.8 | 660 | 105.0 | 555.0 | 545 |
| | 375 | 0.8 | 700 | 125.0 | 575.0 | 560 |
| | 400 | 0.8 | 740 | 145.0 | 595.0 | 570 |
| | 450 | 0.8 | 820 | 185.0 | 635.0 | 595 |
| 500 | 300 | 0.8 | 580 | 40.0 | 540.0 | 555 |
| | 325 | 0.8 | 620 | 60.0 | 560.0 | 570 |
| | 350 | 0.8 | 660 | 80.0 | 580.0 | 580 |
| | 375 | 0.8 | 700 | 100.0 | 600.0 | 595 |
| | 400 | 0.8 | 740 | 120.0 | 620.0 | 605 |
| | 450 | 0.8 | 820 | 160.0 | 660.0 | 630 |
| 550 | 500 | 0.8 | 900 | 200.0 | 700.0 | 655 |
| | 350 | 0.8 | 660 | 55.5 | 605.0 | 615 |
| | 375 | 0.8 | 700 | 75.0 | 625.0 | 630 |
| | 400 | 0.8 | 740 | 95.0 | 645.0 | 640 |
| 600 | 450 | 0.8 | 820 | 135.0 | 685.0 | 665 |
| | 500 | 0.8 | 900 | 175.0 | 725.0 | 690 |
| | 550 | 0.8 | 980 | 215.0 | 765.0 | 715 |
| | 400 | 0.8 | 740 | 70.0 | 670.0 | 680 |
| | 450 | 0.8 | 820 | 110.0 | 710.0 | 705 |
| | 500 | 0.8 | 900 | 150.0 | 750.0 | 730 |
| | 550 | 0.8 | 980 | 190.0 | 790.0 | 755 |
| 650 | 600 | 0.8 | 1060 | 230.0 | 830.0 | 780 |
| | 450 | 0.8 | 820 | 85.0 | 735.0 | 740 |
| | 500 | 0.8 | 900 | 125.0 | 775.0 | 765 |
| | 550 | 0.8 | 980 | 165.0 | 815.0 | 790 |
| 700 | 600 | 0.8 | 1060 | 205.0 | 855.0 | 815 |
| | 650 | 0.8 | 1140 | 245.0 | 895.0 | 840 |
| | 500 | 0.8 | 900 | 100.0 | 800.0 | 800 |
| | 550 | 0.8 | 980 | 140.0 | 840.0 | 825 |
| | 600 | 0.8 | 1060 | 180.0 | 880.0 | 850 |
| 750 | 650 | 0.8 | 1140 | 220.0 | 920.0 | 875 |
| | 700 | 0.8 | 1220 | 260.0 | 960.0 | 900 |

表にない物は下記にて算出して下さい。

$$L = 1.6 \times D3 + 100$$

$$L1 = 0.8 \times D3 + 50 - 0.5 \times D1$$

$$L2 = 0.8 \times D3 + 50 + 0.5 \times D1$$

$$L3 = 0.5 \times D3 + 50 + 0.71 \times D1$$

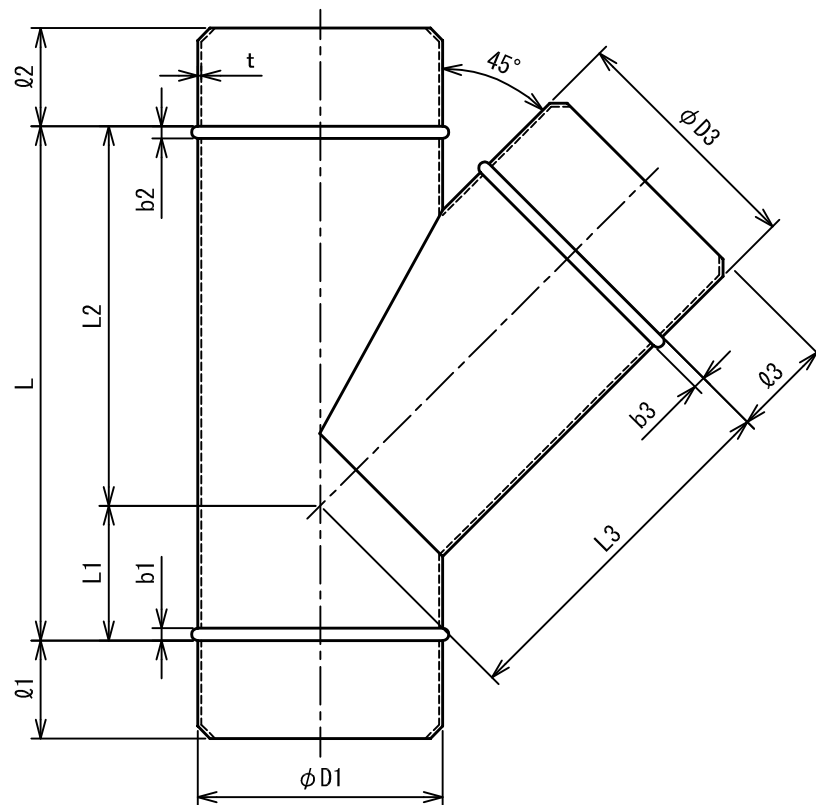
| 呼び径 | 区分 | 呼び径 D1・D3 | |
|------------|----|-----------|----------|
| | | φ1・φ2・φ3 | b1・b2・b3 |
| φ75～φ125 | | 60 | 8 |
| φ150～φ300 | | 60 | 10 |
| φ325～φ1000 | | 60 | 13 |

単位：mm

| 呼び径 | 板厚 | L | L1 | L2 | L3 | |
|-----|-----|------|-------|-------|-------|-----|
| | | | | | | D1 |
| 600 | 400 | 0.8 | 740 | 70.0 | 670.0 | 680 |
| | 450 | 0.8 | 820 | 110.0 | 710.0 | 705 |
| | 500 | 0.8 | 900 | 150.0 | 750.0 | 730 |
| | 550 | 0.8 | 980 | 190.0 | 790.0 | 755 |
| | 600 | 0.8 | 1060 | 230.0 | 830.0 | 780 |
| 650 | 450 | 0.8 | 820 | 85.0 | 735.0 | 740 |
| | 500 | 0.8 | 900 | 125.0 | 775.0 | 765 |
| | 550 | 0.8 | 980 | 165.0 | 815.0 | 790 |
| | 600 | 0.8 | 1060 | 205.0 | 855.0 | 815 |
| 700 | 650 | 0.8 | 1140 | 245.0 | 895.0 | 840 |
| | 500 | 0.8 | 900 | 100.0 | 800.0 | 800 |
| | 550 | 0.8 | 980 | 140.0 | 840.0 | 825 |
| | 600 | 0.8 | 1060 | 180.0 | 880.0 | 850 |
| | 650 | 0.8 | 1140 | 220.0 | 920.0 | 875 |
| 700 | 0.8 | 1220 | 260.0 | 960.0 | 900 | |

| 呼び径 D | 外径公差 | 長さ公差 (b、L、ℓ) |
|------------|-----------|--------------|
| φ75～φ700 | -1.2～-1.9 | 0～+1 |
| φ750～φ1000 | -2.0～-2.2 | 0～+1 |

平成22年度版/公共建築工事標準仕様書に準じています。



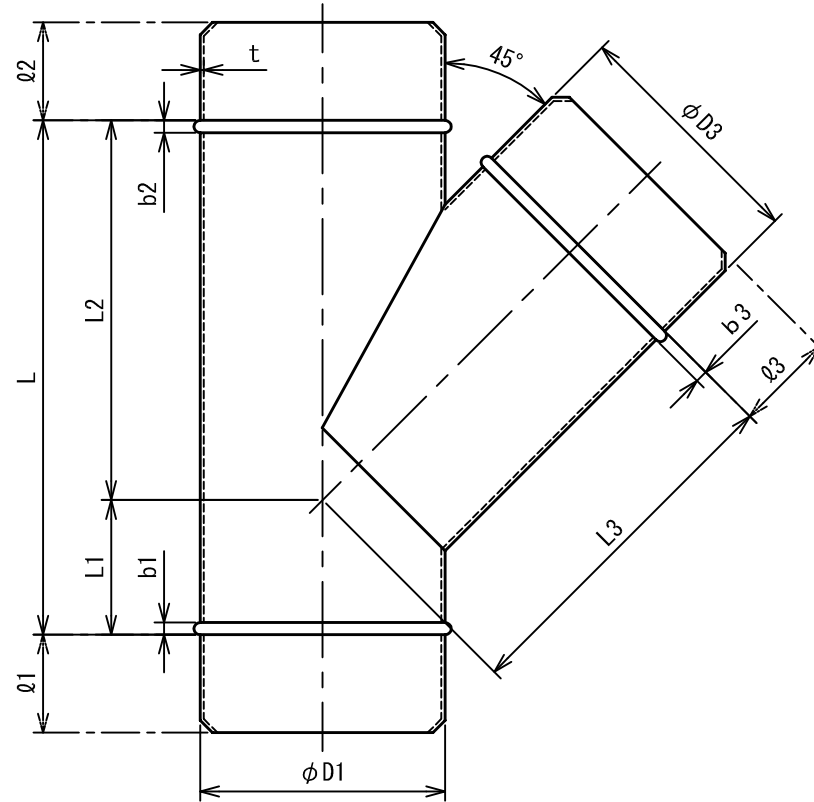
※材質：亜鉛鋼板

| | | | |
|----|----------|---------|--|
| △ | ・ | ・ | |
| △ | ・ | ・ | |
| △ | 2011.4.1 | 仕様書年度変更 | |
| 記号 | 年月日 | 備考 | |

| 名称 | | Y管 | | | |
|---------------------------------------------------------------------------------------------------------|----|---------------|------|----|------------|
| 型式 | | Y (φ325～φ700) | | | |
| 承認 | 検図 | 製図 | 尺度 | 図番 | 08-211031 |
| | 橋本 | 工藤 | FREE | 図法 | 三角法 |
| | | | | 日附 | 2008.11.28 |
|  株式会社 深川製作所 | | | | | |

| 呼び径 D | 外径公差 | 長さ公差 (b、L、ℓ) |
|------------|-----------|--------------|
| φ75～φ700 | -1.2～-1.9 | 0～+1 |
| φ750～φ1000 | -2.0～-2.2 | 0～+1 |

平成22年度版/公共建築工事標準仕様書に準じています。



表にない物は下記にて算出して下さい。

$$L = 1.6 \times D3 + 100$$

$$L1 = 0.8 \times D3 + 50 - 0.5 \times D1$$

$$L2 = 0.8 \times D3 + 50 + 0.5 \times D1$$

$$L3 = 0.5 \times D3 + 50 + 0.71 \times D1$$

| 呼び径 | 区分 | 呼び径 D1・D3 | |
|------------|----|-----------|----------|
| | | ℓ1・ℓ2・ℓ3 | b1・b2・b3 |
| φ75～φ125 | | 60 | 8 |
| φ150～φ300 | | 60 | 10 |
| φ325～φ1000 | | 60 | 13 |

単位：mm

| 呼び径 | 板厚 | L | L1 | L2 | L3 | |
|------|------|-----|------|-------|--------|------|
| D1 | D3 | | | | | t |
| 750 | 550 | 1.0 | 980 | 115.0 | 865.0 | 860 |
| | 600 | 1.0 | 1060 | 155.0 | 1005.0 | 885 |
| | 650 | 1.0 | 1140 | 195.0 | 1045.0 | 910 |
| | 700 | 1.0 | 1220 | 235.0 | 1085.0 | 935 |
| | 750 | 1.0 | 1300 | 275.0 | 1125.0 | 960 |
| 800 | 600 | 1.0 | 1060 | 130.0 | 930.0 | 920 |
| | 650 | 1.0 | 1140 | 170.0 | 970.0 | 945 |
| | 700 | 1.0 | 1220 | 210.0 | 1010.0 | 970 |
| | 750 | 1.0 | 1300 | 250.0 | 1050.0 | 995 |
| | 800 | 1.0 | 1380 | 290.0 | 1090.0 | 1020 |
| 900 | 700 | 1.0 | 1220 | 160.0 | 1060.0 | 1040 |
| | 750 | 1.0 | 1300 | 200.0 | 1100.0 | 1065 |
| | 800 | 1.0 | 1380 | 240.0 | 1140.0 | 1090 |
| 1000 | 900 | 1.0 | 1540 | 320.0 | 1220.0 | 1140 |
| | 800 | 1.0 | 1380 | 190.0 | 1190.0 | 1160 |
| | 1000 | 1.0 | 1700 | 350.0 | 1350.0 | 1260 |

※材質：亜鉛鋼板

| | | | | | |
|----|----------------|---------|------|----|------------|
| 名称 | Y管 | | | | |
| 型式 | Y (φ750～φ1000) | | | | |
| 承認 | 検図 | 製図 | 尺度 | 図番 | 08-211032 |
| | 橋本 | 工藤 | FREE | 図法 | 三角法 |
| | | | | 日附 | 2008.11.28 |
| 記号 | 2011.4.1 | 仕様書年度変更 | | | |
| | 年月日 | 備考 | | | |



株式会社 深川製作所